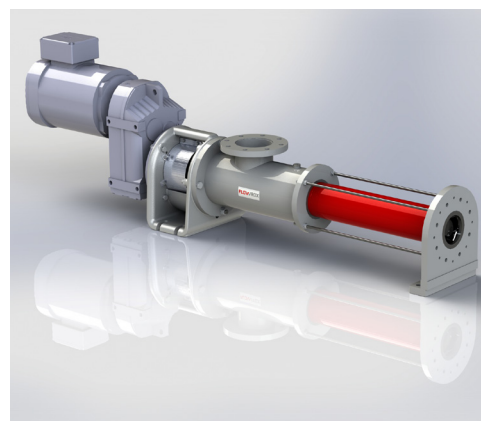
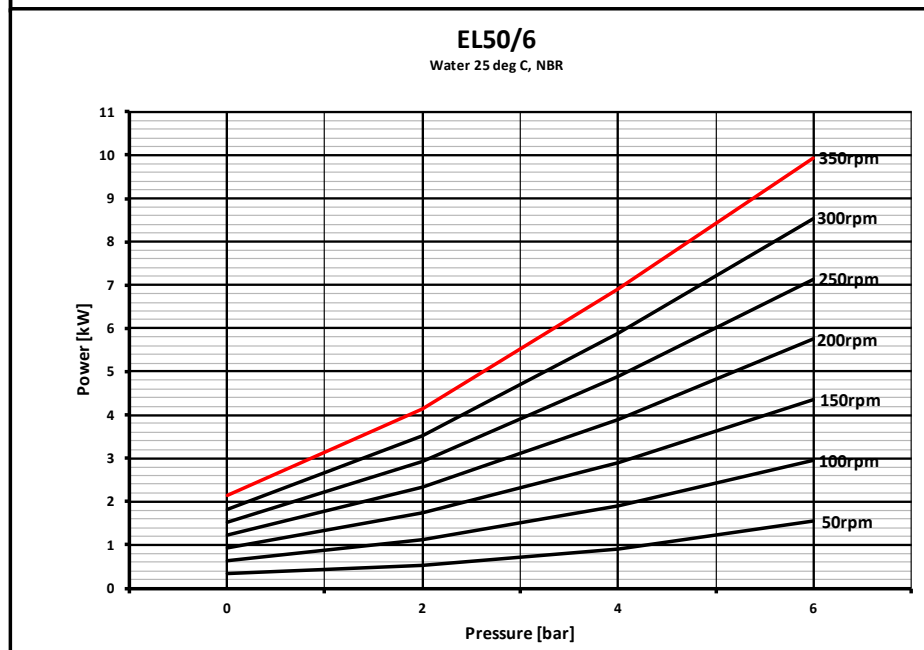
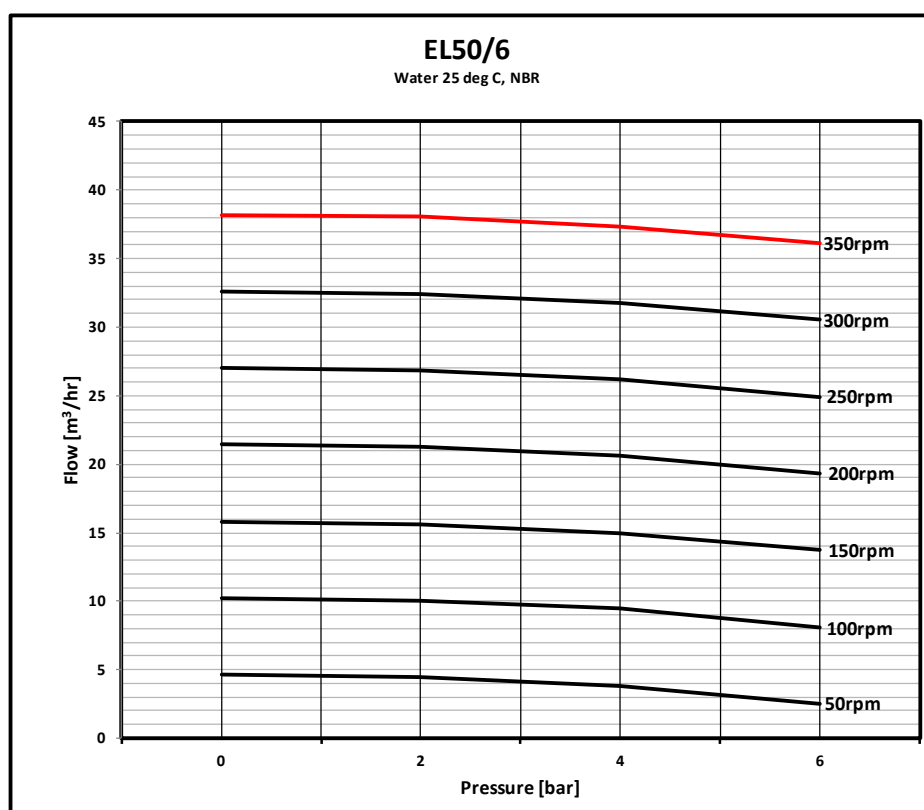




# PC Pump EL50/6



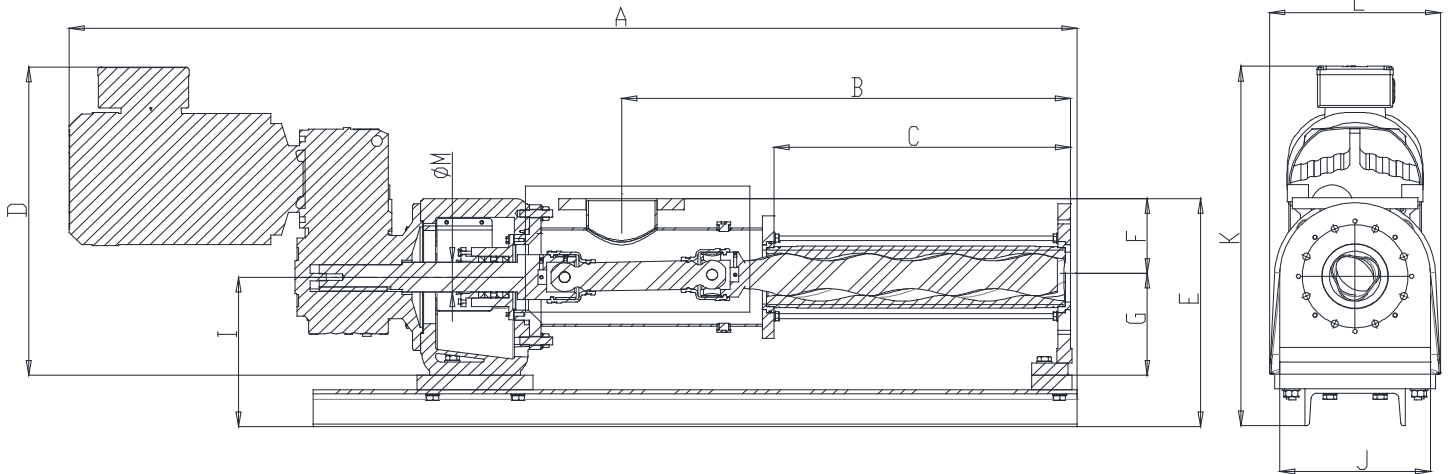
## Technical Data

- Maximum flow: 38,2 m<sup>3</sup>/h
- Nominal flow: 28,7 m<sup>3</sup>/h
- Maximum pressure: 6 bar
- Temperature up to 70 °C
- Weight: 140 kg
- Max motor power: 11 kW
- Flange connection size: DN50
- Flange drilling: DIN PN10 or ANSI150
- Can be installed without base plate
- No dry running
- NPSH tba

# MAIN DIMENSIONS

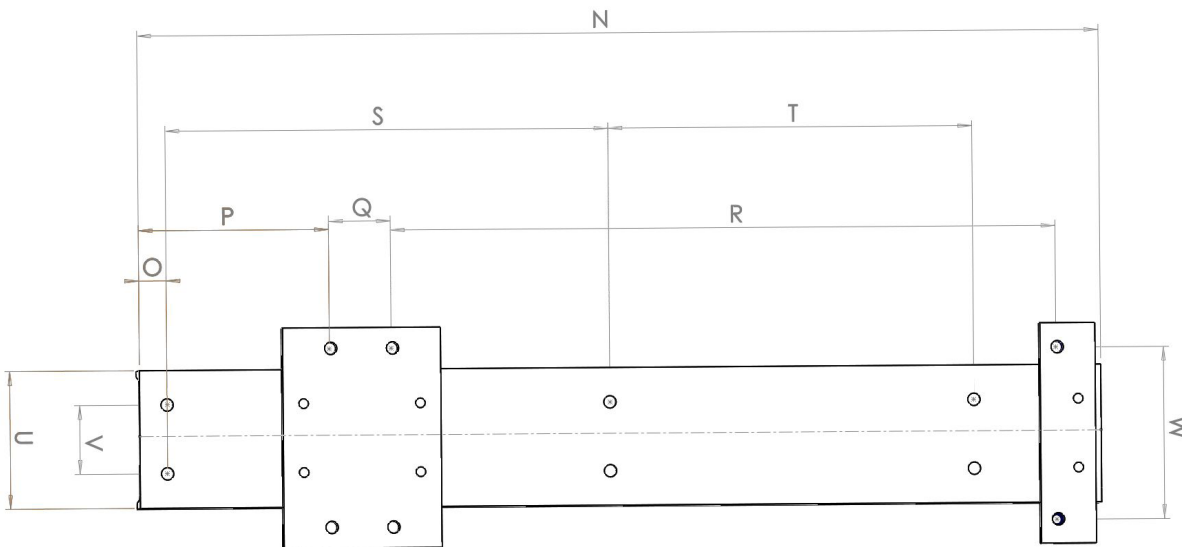
Model	A	B	C	D	E	F	G	I	J	K	L	M	Weight (kg)
EL50/10	2005	893	590	629	465	152,5	207,5	305	300	734	340	60	325

Dimensions are in mm.



## OPTIONAL BASE PLATE:

Model	N	O	P	Q	R	S	T	U	V	W	X
EL50/10	1519	45	277	90	1087	660	660	200	100	250	200



## PRODUCT SPECIFICATION

Body	Suction Pipe	Rotor	Rotor coatings	Stator	Drive	Seal types
Cast iron	<ul style="list-style-type: none"> <li>Carbon steel</li> <li>Carbon steel with maintenance hatch</li> <li>Stainless steel with maintenance hatch</li> </ul>	<ul style="list-style-type: none"> <li>Carbon steel</li> <li>Stainless steel</li> </ul>	<ul style="list-style-type: none"> <li>Black nitrated</li> <li>Hard chromium</li> <li>Tungsten carbide</li> </ul>	<ul style="list-style-type: none"> <li>NBR</li> <li>EPDM</li> <li>Viton</li> </ul>	Gear motor drive	<ul style="list-style-type: none"> <li>Single Mechanical Shaft Seal</li> <li>Double Mechanical Shaft Seal</li> <li>Gland Packing</li> </ul>

Information without engagement. All rights to changes without prior notice reserved.



Neles Finland Oy  
P.O. Box 26  
FI-53101 Lappeenranta, Finland  
Tel. +358 (0)10 417 5000

www.flowrox.com  
info@flowrox.com

