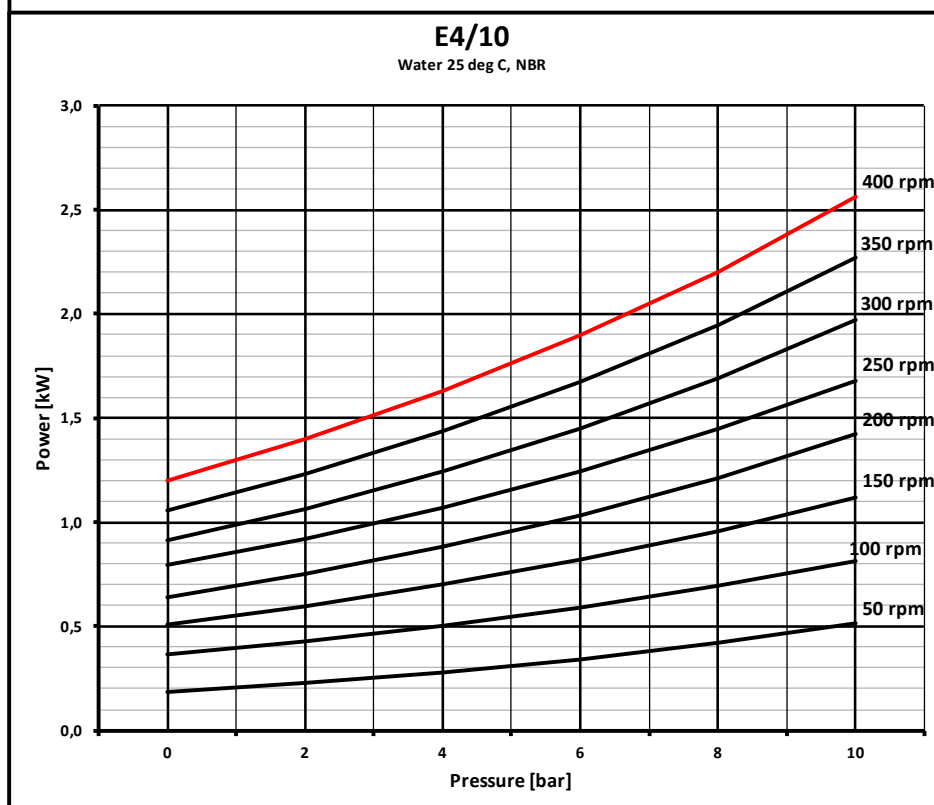
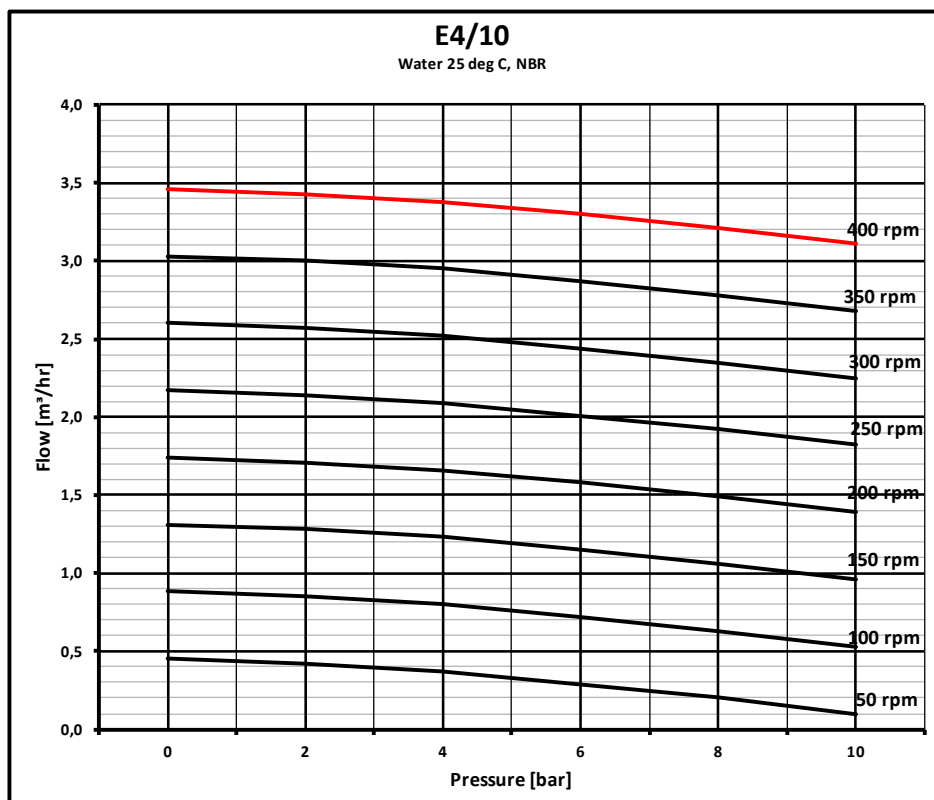




PC Pump E4/10



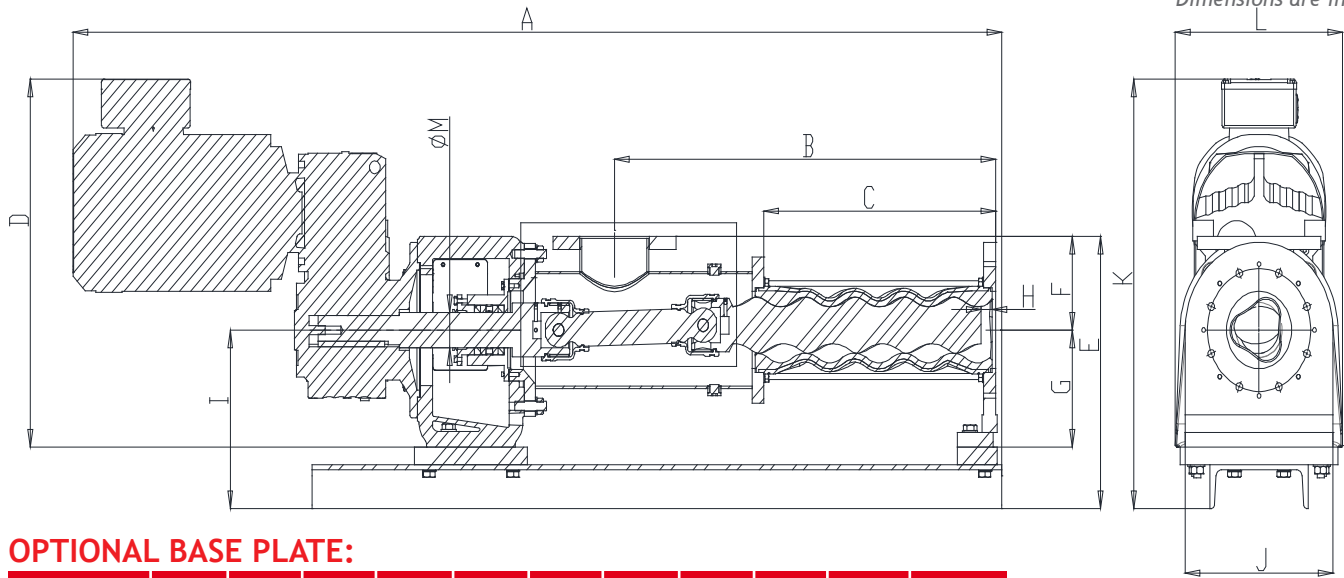
TECHNICAL DATA

- Evenwall® stator
- Maximum flow: 3,4 m³/h
- Nominal flow: 2,9 m³/h
- Maximum pressure: 10 bar
- Temperature up to 70 °C
- Weight: 135 kg
- Max motor power: 3 kW
- Flange connection size: DN65
- Flange drilling: DIN PN10 or ANSI150
- Can be installed without base plate
- No dry running
- NPSH tba

MAIN DIMENSIONS

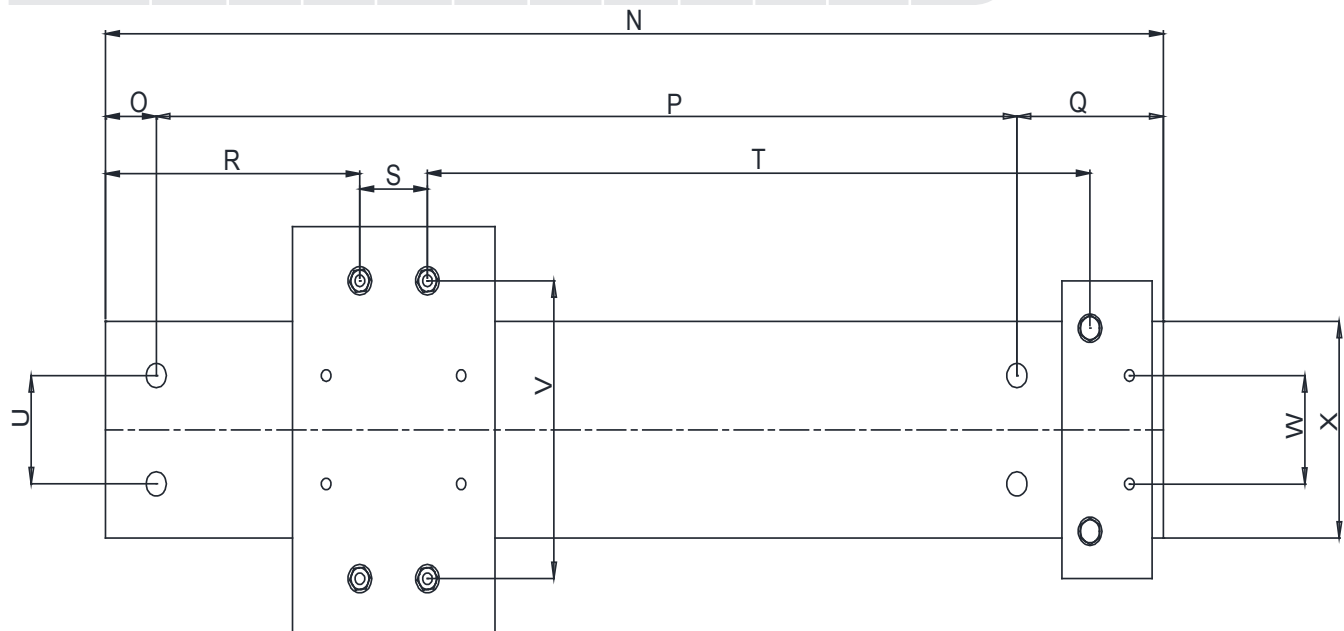
Model	A	B	C	D	E	F	G	H	I	J	K	L	M	Weight (kg)
E4/10	1273	433	381	444	368	128	125	15,2	240	184	509	290	35	135

Dimensions are in mm.



OPTIONAL BASE PLATE:

Model	N	O	P	Q	R	S	T	U	V	W	X
E2/10	940	45	226	60	226	60	589	80	220	150	160



PRODUCT SPECIFICATION

Body	Suction Pipe	Rotor	Rotor coatings	Stator	Drive	Seal types
Cast iron	<ul style="list-style-type: none"> Carbon steel Carbon steel with maintenance hatch Stainless steel with maintenance hatch 	<ul style="list-style-type: none"> Carbon steel Stainless steel 	<ul style="list-style-type: none"> Black nitrated Hard chromium Tungsten carbide 	<ul style="list-style-type: none"> NBR EPDM Viton 	Gear motor drive	<ul style="list-style-type: none"> Single Mechanical Shaft Seal Double Mechanical Shaft Seal Gland Packing

Information without engagement. All rights to changes without prior notice reserved.



Neles Finland Oy
P.O. Box 26
FI-53101 Lappeenranta, Finland
Tel. +358 (0)10 417 5000

www.flowrox.com
info@flowrox.com

