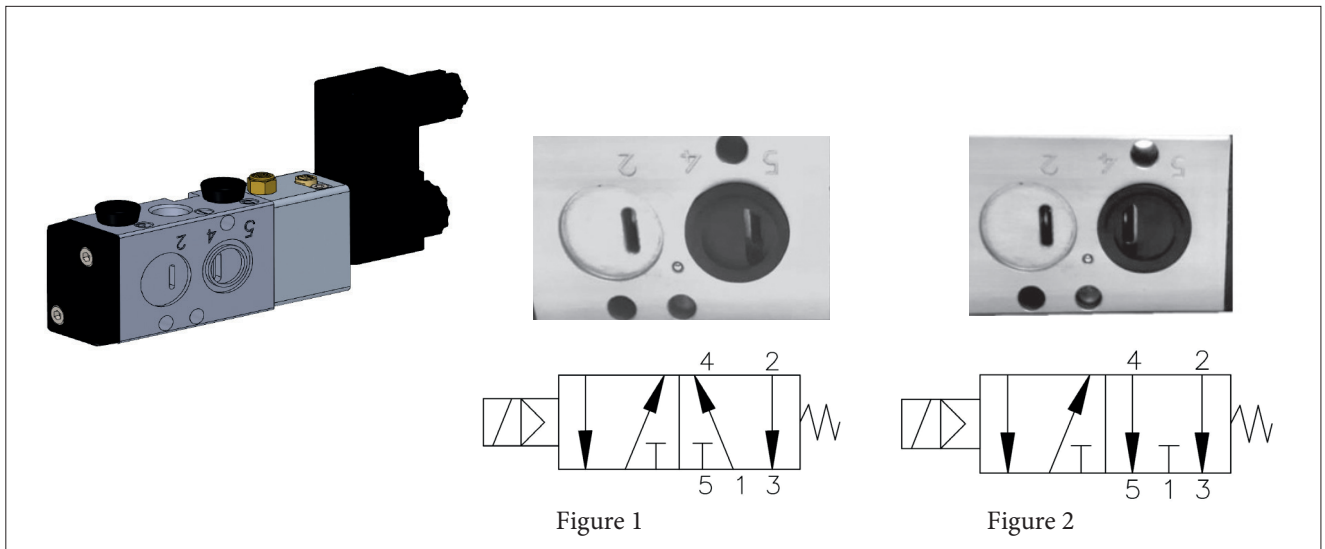


Neles Easyflow™ Namur solenoid valves

Series VAQNC version 2

5/2 and 3/2 way convertible solenoid operated direction control spool valve

Model No. VAQNC-113/213



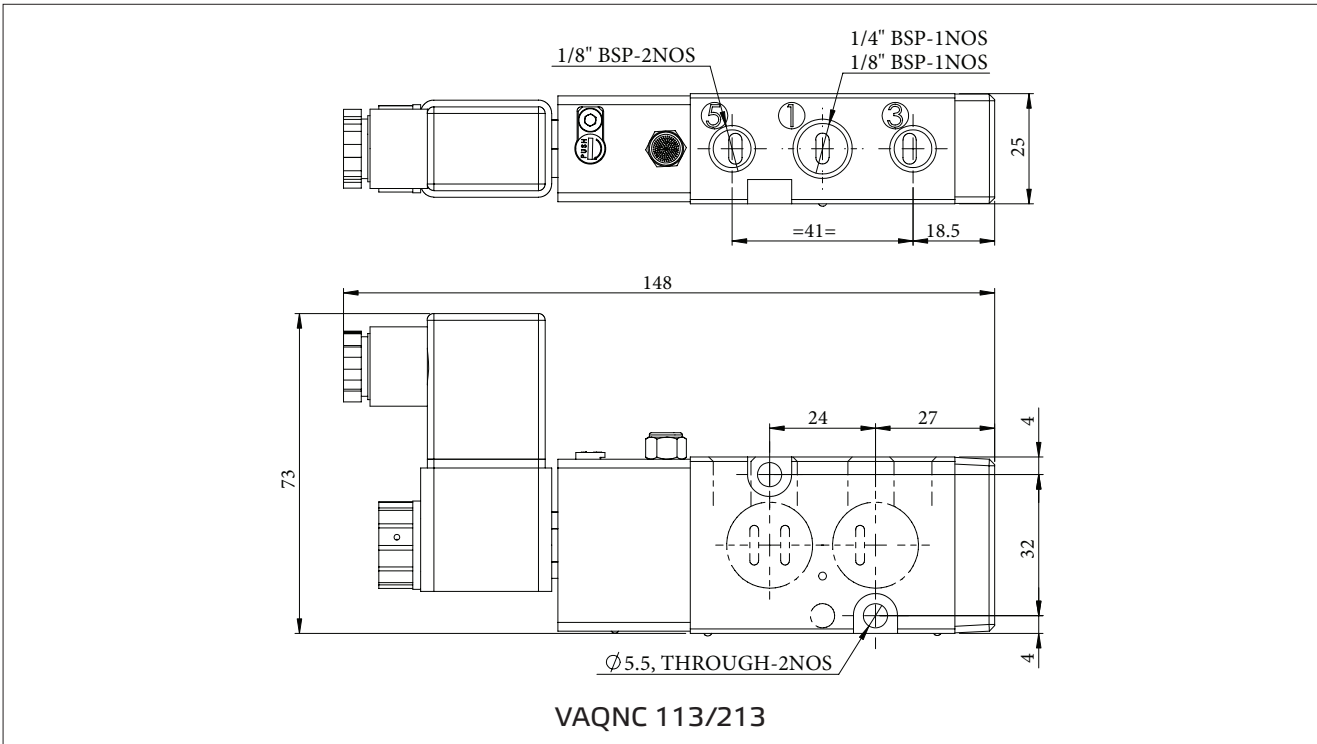
Features

- Manual override with lock facility
- Corrosion resistant anodized aluminium
- All voltage rating available
- Long lasting PTFE seals
- Cover can be turned 180°C to change position of the manual override
- IP certified valves
- Exd certified coil

Technical specification

Media	Compressed air, 50 µm. Filtered, lubricated or unlubricated
Type	5/2 and 3/2 way convertible solenoid operated direction control spool valve
Mounting	NAMUR
Orifice	5.3 mm
Flow factor (kv)	18 liters/min
Flow rate (Qn)	800 liters/min
Port size	1/8" and 1/4"
Operating pressure range	2-10 bar
Temperature range (°C)	-20 to 80
Response time at 5 bar	on time 32 msec and off time 48 msec
Manual override type	Push type & rotate to lock
Operating voltage	AC : 110, 220 (50Hz)
DC : 12, 24, 48	Continuous
Duty cycle	Continuous
Coil insulation class	F
Valve body MOC	Aluminium
Seals MOC	NBR
Coil	Exproof(Exd) / Weatherproof(IP)

Dimensional drawings



Dimension drawings with Exd coils

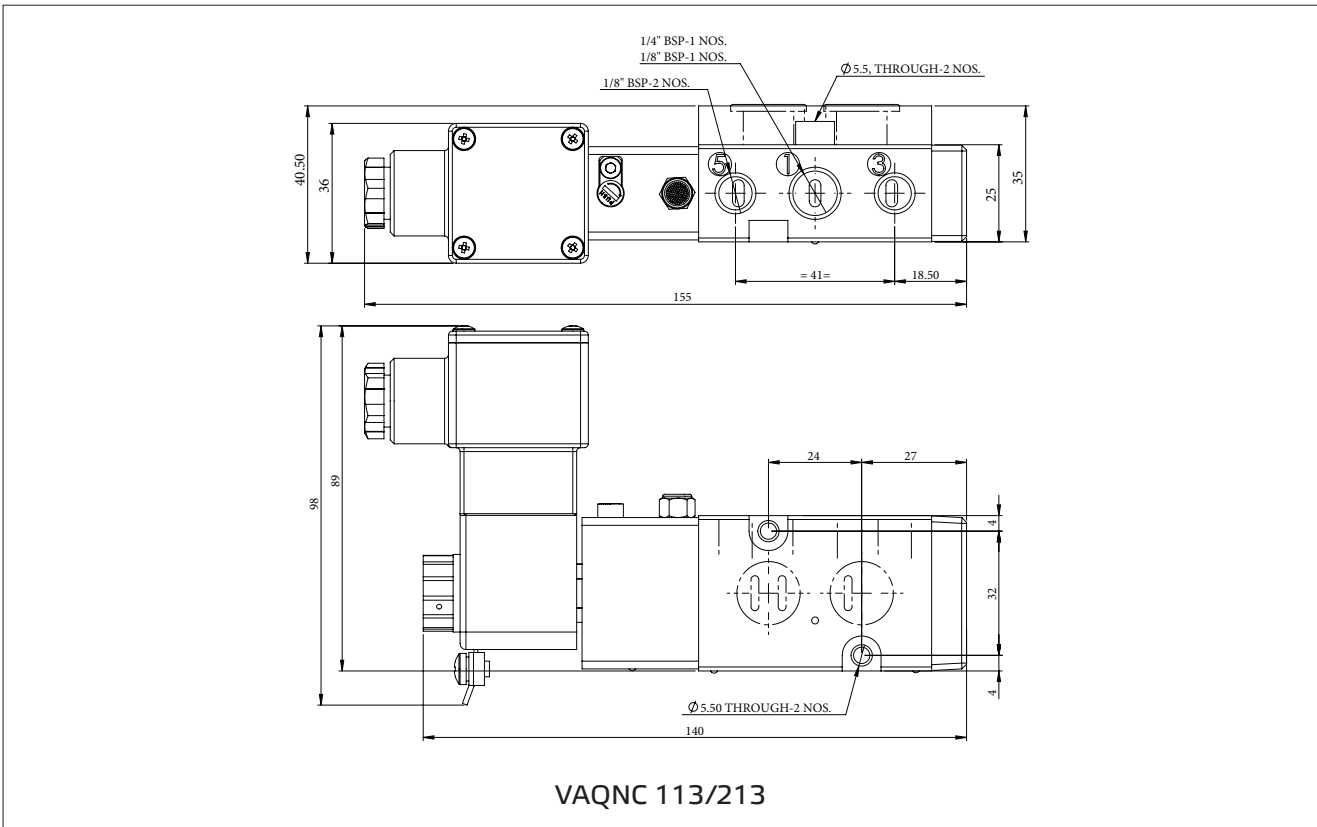
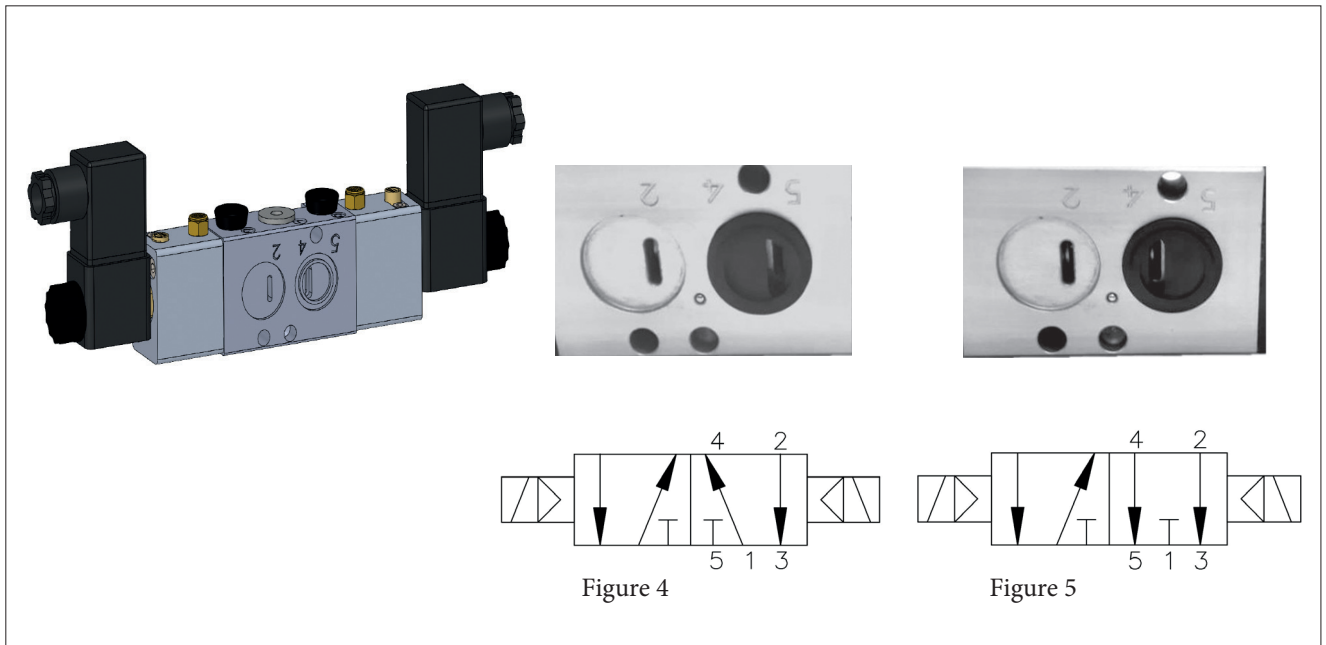


Figure 3 VAQNC113/213

Model No. VAQNC-114/214



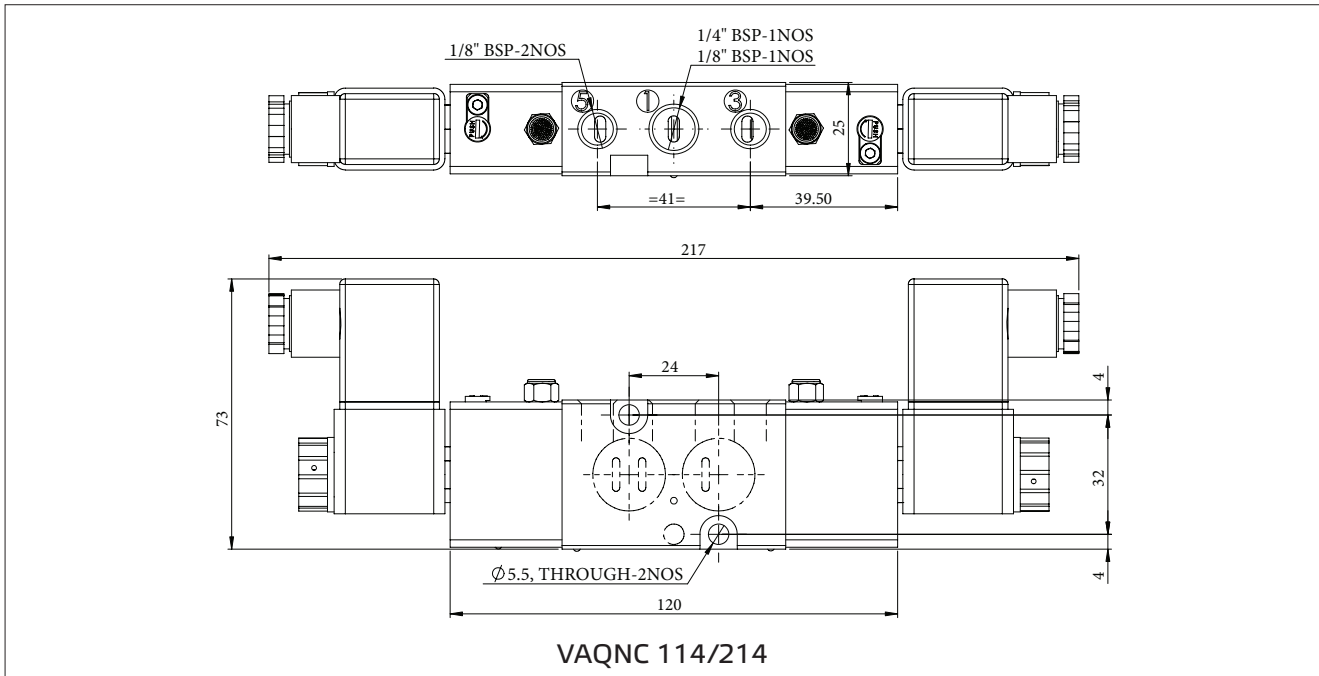
Features

- Manual override with lock facility
- Corrosion resistant anodized aluminium
- All voltage rating available
- Long lasting PTFE seals
- Cover can be turned 180°C to change position of the manual override
- IP certified valves
- Exd certified coils

Technical specification

Media	Compressed air, 50 µm. Filtered, lubricated or unlubricated
Type	5/2 and 3/2 way convertible solenoid operated direction control spool valve direction control valve
Mounting	NAMUR
Orifice	5.3 mm
Flow factor (kv)	18 liters/min
Flow rate (Qn)	800 liters/min
Port size	1/8" and 1/4"
Operating pressure range	2-10 bar
Temperature range (°C)	-20 to 80
Response time at 5 bar	on time 32 msec and off time 48 msec
Manual override type	Push type & rotate to lock
Operating voltage	AC : 110, 220 (50Hz)
DC : 12, 24, 48	Continuous
Duty cycle	Continuous
Coil insulation class	F
Valve body MOC	Aluminium
Seals MOC	NBR
Coil	Exproof(Exd) / Weatherproof(IP)

Dimensional drawings



Dimension drawings with Exd coils

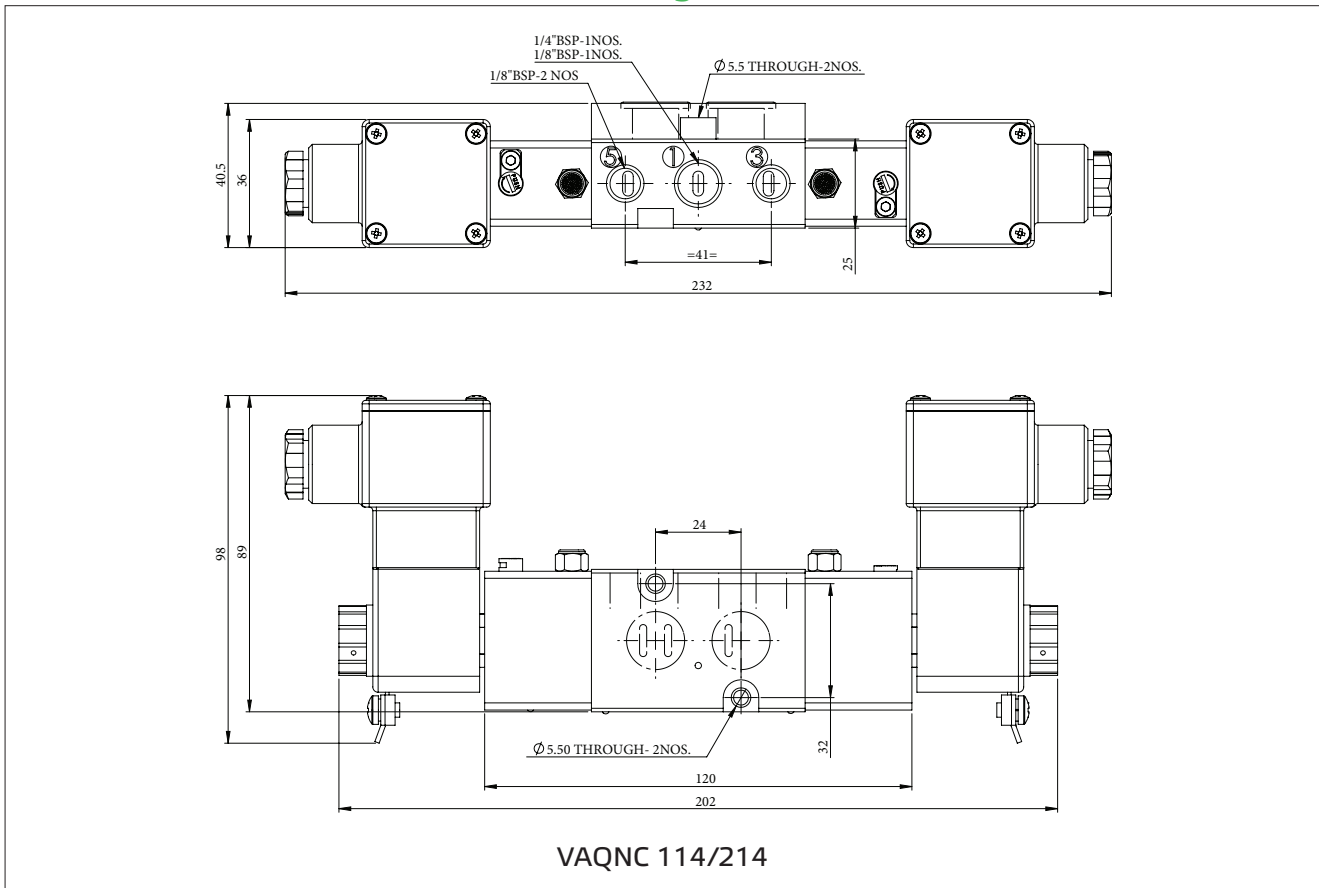


Figure 6 VAQNC114/214

How to order

1	2	3	4	5	6	7	8	9
VAQNC	1	13	G	0	0	01D0	P1	NN

1.	Valve type
VAQNC	5/2 way
VAQNC	5/2 way

2.	Port size
1	1/8"
2	1/4"

3.	Operator
13	Single coil
14	Double coil

4.	Port connection
G	BSP
R	NPT

5.	Body and spool material
0	Aluminium
1	SS316

6.	Seals
0	NBR
1	VITON

7.	Coil voltage
01D0	12VDC
02D0	24VDC
03D0	48VDC
04D0	110VDC
05D0	220VDC
01A0	24VAC
02A0	48VAC
03A0	110VAC
04A0	220VAC
11AL	110VAC-LED
12AL	220VAC-LED
13AL	24VAC-LED
11DL	24VDC-LED

8.	Protection
P1	IP66/67

9.	Certification
NN	NILL
EN	Exd certification for coils - only applicable with sign 7. (12, 24, 48VDC), (24, 48, 110, 220, 230VAC) - only sing 8. IP 66 applicable, only applicable with 6. sign NBR

ORDERING EXAMPLE:

1. VAQNC-1-13-G-0-0-01D0-P1-NN. This is a 5/2 position single coil Namur mounted solenoid valve with port size of 1/8" BSP Connection with Aluminium body having NBR seal and coil voltage of 12VDC, IP Certified valve

Valmet Flow Control Oy

Vanha Porvoontie 229, 01380 Vantaa, Finland.

Tel. +358 10 417 5000.

www.valmet.com/flowcontrol

Subject to change without prior notice.

Neles, Neles Easyflow, Jamesbury, Stonel, Valvcon and Flowrox, and certain other trademarks, are either registered trademarks or trademarks of Valmet Oyj or its subsidiaries in the United States and/or in other countries.

