

FieldRack enclosure



StoneL's FieldRack enclosure is designed for a multitude of wiring systems in general purpose and nonincendive process applications. With its rugged corrosion proof enclosure and its variety of uses, the FieldRack proves invaluable for bus projects.

Features

1. **Durable corrosion proof enclosure**
The enclosure is constructed of Lexan® Polycarbonate, also used for jet fighter canopies, high impact parts, and nonincendive instrumentation enclosures. The FieldRack enclosure will withstand attack from acids, basic solutions, and salts.
2. **Wide variety of applications and uses**
The FieldRack provides a convenient housing for many FieldLink network components. The FieldRack may house gateways, power supplies, repeaters, and connection modules.
3. **Fully sealed**
The enclosure is fully sealed and may be used in heavy washdown environments. Complete with a side-hinged clear cover, this enclosure provides excellent protection while maintaining easy access.
4. **Space-efficient design**
The space-efficient design minimizes external dimensions while providing ample internal space for wiring and function modules. The FieldRack comes standard with an aluminum backplate inside with DIN rail attached and positioned for convenient location of FieldLink components.

FieldRack enclosure

Field wiring systems

The FieldRack may be easily fitted with cable gland compression fittings, conduit hubs, and quick disconnect fittings. Just drill the appropriate clearance hole and install the desired fittings.

Available in two sizes
FRN1008 is a 10" x 8" x 7" polycarbonate enclosure with a side-hinged clear cover. This enclosure has an aluminum back plate with 1 DIN rail attached.



10" x 8" x 7" shown

FRN1212 is a 12" x 12" x 7" polycarbonate enclosure with a side-hinged clear cover. This enclosure has an aluminum back plate with 2 or 3 DIN rails attached.

Configurations	
FRN1008	1 AS-1 gateway and 1 2.8 amp power supply 1 AS-1 repeater and 1 2.8 amp power supply Up to 4 multi-drop connector modules
FRN1212	2 AS-1 gateways and 2 2.8 amp power supplies (<i>select configuration A</i>) 2 AS-1 repeaters and 2 2.8 amp power supplies (<i>select configuration A</i>) Up to 10 multi-drop connector modules (<i>select configuration B</i>)
Ratings	Nema 1, 2, 3, 3S, 4, 4X, 12

Model selector

Series

FRN FieldRack non-metallic

INSIDE DIMENSIONS/CONFIGURATION	
1008	10" x 8" x 7" (1 din rail)
1212A	12" x 12" x 7" (3 din rails)
1212B	12" x 12" x 7" (2 din rails)

Model number example

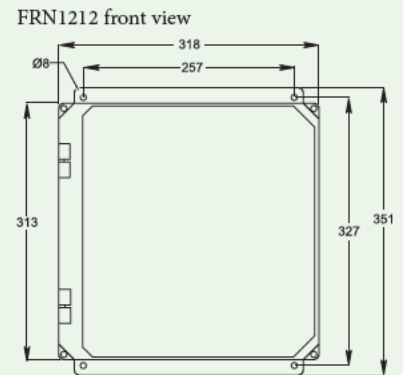
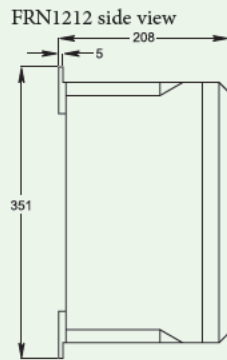
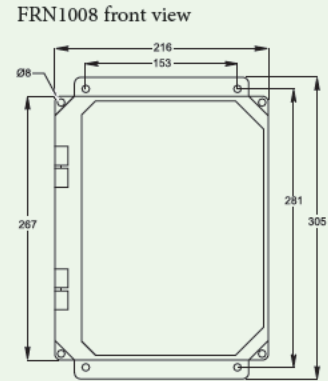
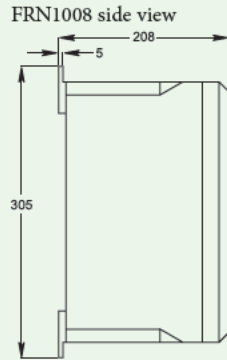
FRN 1212A

model number	OPTIONAL partnership ID
FRN 1212A	FRN 1212A 5

Mounting hardware required and sold separately.

Some models may include 5-digit identification suffix.

Dimensions (mm)





Valmet's professionals around the world work close to our customers and are committed to moving our customers' performance forward – every day.

Valmet Flow Control Oy

Vanha Porvoontie 229
01380 Vantaa, Finland
flowcontrol@valmet.com
+358 10 417 5000
valmet.com/flowcontrol

**Valmet Flow Control Inc.
Stonel product center**

26271 US Hwy 59, Fergus Falls, MN 56537 USA.
Tel. +1 218 739 5774.
sales.stonel@valmet.com
valmet.com/flowcontrol

