
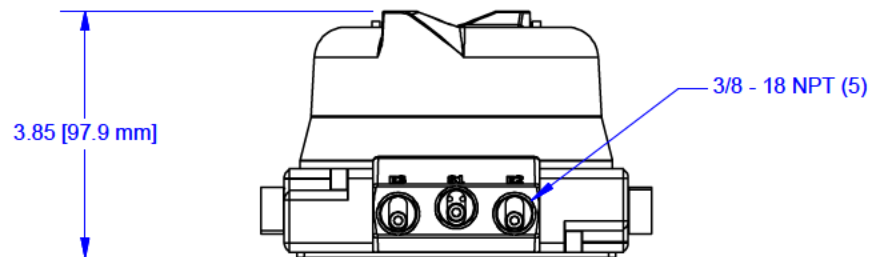
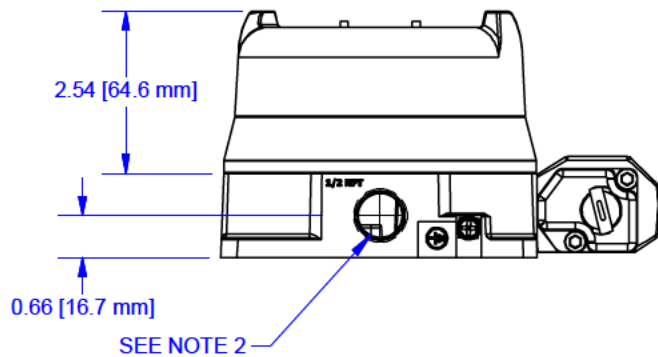
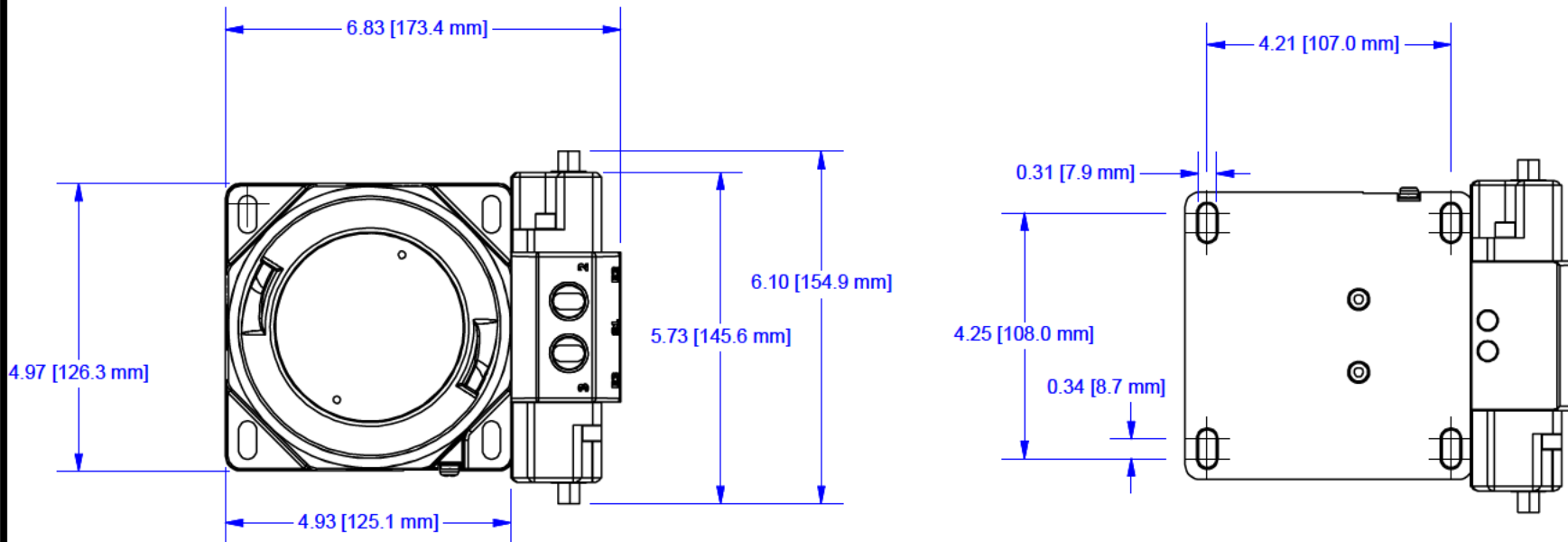


NOTE:

- 1) DIMENSIONS INCHES [mm].
- 2) CONSULT FACTORY FOR CONDUIT SIZE AND QUANTITY ON SPECIFIC MODELS.
- 3) COVER REMOVAL CLEARANCE = 2.25" [57.15 mm].

CERTIFIED TO BE DIMENSIONALLY CORRECT.


REVISIONS	B	18887	10/5/22	RB	PUBLIC THIS DRAWING AND ALL INFORMATION CONTAINED HEREIN IS THE PROPERTY OF AND IS SUBJECT TO CHANGE BY VALMET.	 FERGUS FALLS, MN 56537 USA			
	A	16574	07/23/20	BK					
	REVISION	ECO	DATE	BY					
TOLERANCES* (UNLESS OTHERWISE SPECIFIED):					DR. BK	TITLE DIMENSIONAL DATA, JUNCTION MOD, JX			
X.XXX ± .005 ANGLES ± 0° 30'					CHK. BL	SCALE 1:3	SHEET 1 OF 2	DRAWING NO.	REV.
X.XX ± .010 FINISH f 125 RMS					APPD. NK	SIZE A	DATE 7/22/2020	500141	B
X/X ± .015 *DIMENSIONS: INCHES (UNLESS OTHERWISE SPECIFIED)									



NOTE:

- 1) DIMENSIONS INCHES [mm].
- 2) CONSULT FACTORY FOR CONDUIT SIZE ON SPECIFIC MODELS.
- 3) COVER REMOVAL CLEARANCE = 2.25" [57.15 mm].

CERTIFIED TO BE DIMENSIONALLY CORRECT.

REVISIONS				PUBLIC THIS DRAWING AND ALL INFORMATION CONTAINED HEREIN IS THE PROPERTY OF AND IS SUBJECT TO CHANGE BY VALMET.	 FERGUS FALLS, MN 56537 USA	
B	18887	10/5/22	RB			
A	16574	07/23/20	BK			
REVISION	ECO	DATE	BY			
TOLERANCES* (UNLESS OTHERWISE SPECIFIED):				DR. BK	TITLE DIMENSIONAL DATA, JUNCTION MOD, JX	
X.XXX ± .005 ANGLES ± 0° 30'				CHK. BL	SCALE 1:3	SHEET 2 OF 2
X.XX ± .010 FINISH f 125 RMS				APPD. NK	SIZE A	DATE 7/22/2020
X/X ± .015 *DIMENSIONS: INCHES (UNLESS OTHERWISE SPECIFIED)				DRAWING NO. 500141		REV. B