

## Drop connectors

**Model number**

- DR461066A
- DR465007A (DIN)
- DR461146A
- DR465033A (DIN)



### Protected drop switch (1 drop)

Designed for AS-Interface networks, this switched drop connector offers a very convenient method to remove, replace, or repair a device while the balance of the network remains on-line. It allows the user to disconnect a drop segment from the rest of the bus by flipping a switch.

#### Features

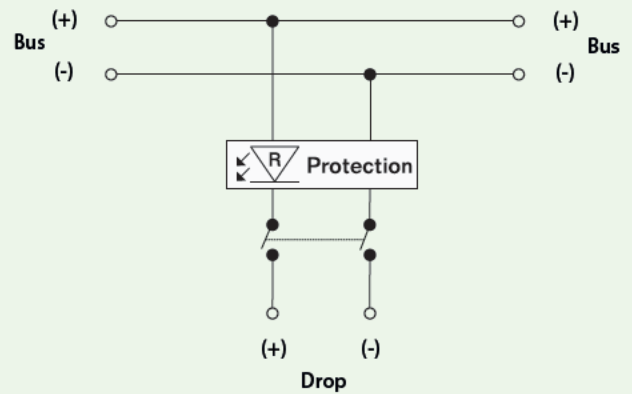
- Disconnects segment
- Compact modular design
- Short circuit protection
- Direct mount and DIN rail mount available
- LED indicates drop fault



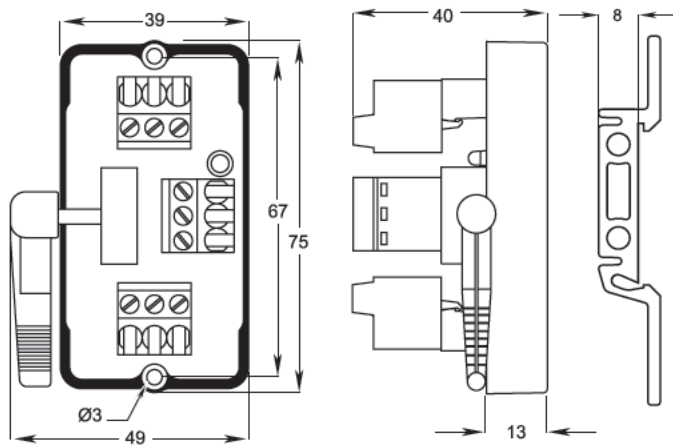
Specifications	
Maximum voltage	35 VDC
Maximum current (trunk)	8 amps
Voltage drop (trunk)	Negligible
Voltage drop (drop)	< 1V
Trip current (drop)	240 mA (DR461066A, DR465007A) 100 mA (DR461146A, DR465033A)
Holding current (after trip)	28 mA
Reset current level	Current falls below 28 mA
Maximum devices per drop	1
Current consumption	None
Dimensions (L, W, H)	75mm, 49mm, 40mm
Housing	Engineered resin
Operating temperature	-40° to +80°C (-40° to +176°F)



### Schematic drawing

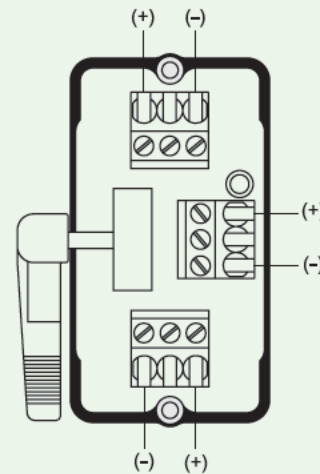


### Dimensions (mm)



*DIN rail clip only applies to DIN models.*

### Wiring diagram





Valmet's professionals around the world work close to our customers and are committed to moving our customers' performance forward – every day.

**Valmet Flow Control Oy**

Vanha Porvoontie 229  
01380 Vantaa, Finland  
flowcontrol@valmet.com  
+358 10 417 5000  
valmet.com/flowcontrol

**Valmet Flow Control Inc.  
Stonel product center**

26271 US Hwy 59, Fergus Falls, MN 56537 USA.  
Tel. +1 218 739 5774.  
sales.stonel@valmet.com  
valmet.com/flowcontrol

