

Power supplies

Model number
PS459004A



8.0 amp AS-Interface power supply

This compact power supply is designed for use with AS-Interface systems where power and data share the same wires. The 8.0 amp power supply provides power to the AS-Interface bus for operation of masters and slaves for output devices. Integrated into the supply is a power conditioner which decouples data from the power supply enabling signal and power to be carried on the same pair of wires.

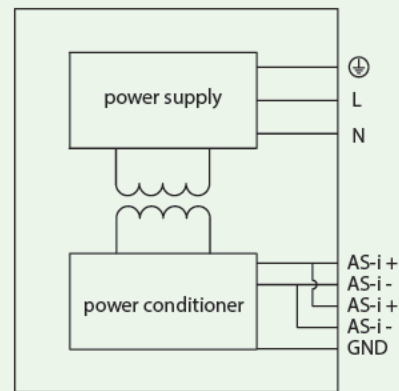
Features

- Current limited/short circuit protected
- Regulated to $\pm 3\%$
- Power decoupled from communication signal



Specifications	
Output voltage	30.55 VDC $\pm 3\%$
Output current	8.0 amps (244 watts)
Output inductance	100 mH $\pm 10\%$
Input voltage	Selectable 120 / 240 VAC (47-63 Hz)
Displays	Power on, green LED
Current limits	8.4 amp (min)
Operating temperature	-10° to +70°C (+14° to +158°F)
Storage temperature	-25° to +85°C (-13° to +185°F)
Housing	Al/Mg alloy, DIN rail mounting
Dimensions (L, W, H)	124mm, 91mm, 112mm
Ingress protection	IP20, field enclosure required
Weight	890g (2.0 pounds)

Schematic drawing





Valmet's professionals around the world work close to our customers and are committed to moving our customers' performance forward – every day.

Valmet Flow Control Oy

Vanha Porvoontie 229
01380 Vantaa, Finland
flowcontrol@valmet.com
+358 10 417 5000
valmet.com/flowcontrol

**Valmet Flow Control Inc.
Stonel product center**

26271 US Hwy 59, Fergus Falls, MN 56537 USA.
Tel. +1 218 739 5774.
sales.stonel@valmet.com
valmet.com/flowcontrol

