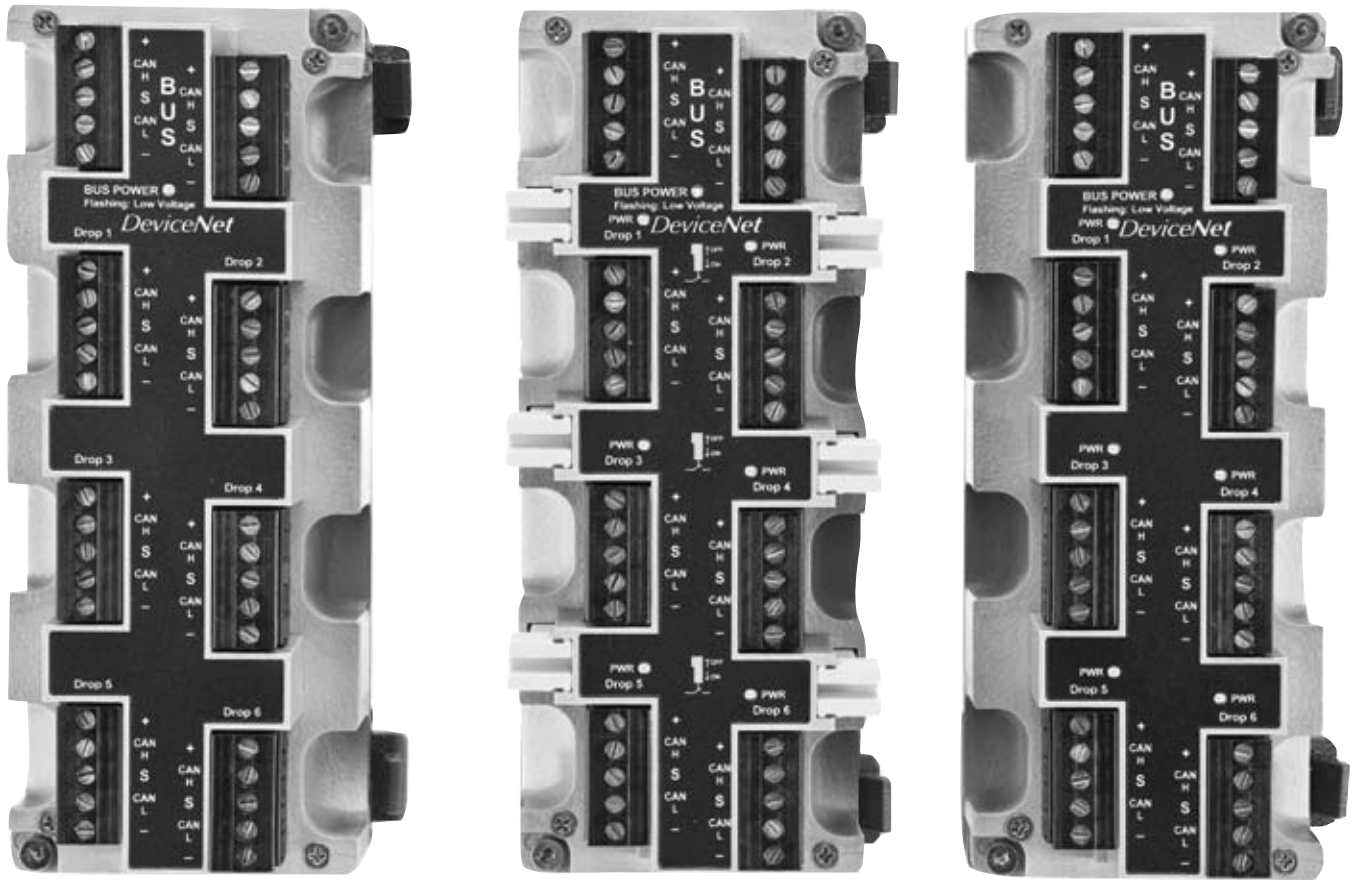


DeviceNet (1-6) DIN Rail Mount Drop Connectors



StoneL[®]
Valve Communication Solutions

StoneL
One StoneL Dr
26271 US Hwy 59
Fergus Falls, MN 56537
USA

© 2011 StoneL

Telephone: 218.739.5774
Toll Free: 800.843.7866
Fax: 218.739.5776
E-mail: sales@stonel.com
Website: www.stonel.com

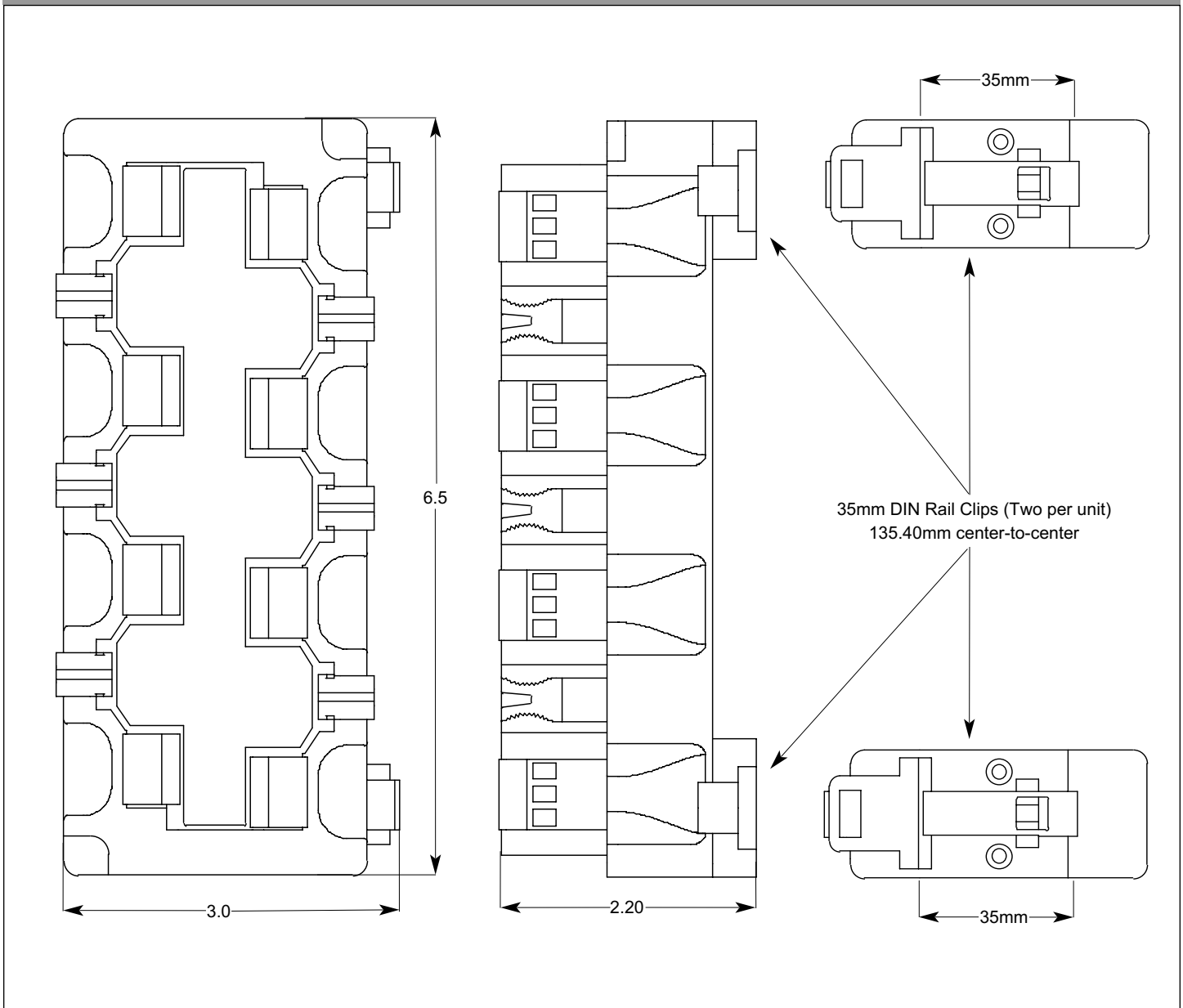
Table Of Contents Page 2
Module Guide Page 3
General Specifications and Ratings Page 3
Dimensional Data Page 3
DR465038_ DeviceNet Passive Drop Connector (Bus In/Out and (6) Drops) Page 4
DR465042_ DeviceNet Protected (240mA) Drop Connector (Bus In/Out and (6) Drops) Page 5
DR465046_ DeviceNet Switched Protected (240mA) Drop Connector (Bus In/Out and (6) Drops) Page 6

	Function	Brand	Options
DR	465038 DeviceNet Passive Drop Connector (Bus In/Out and (6) Drops) 465042 DeviceNet Protected (240mA) Drop Connector (Bus In/Out and (6) Drops) 465046 DeviceNet Switched Protected (240mA) Drop Connector (Bus In/Out and (6) Drops)	A StoneL M Metso	-***** (Special)

General Specifications

Materials of Construction	Operating Life	Unlimited
Housing	Temperature Range	-40° to +80° C (-40° to 176° F)
Fasteners	Enclosure Protection	IP20
	Warranty	Two Years

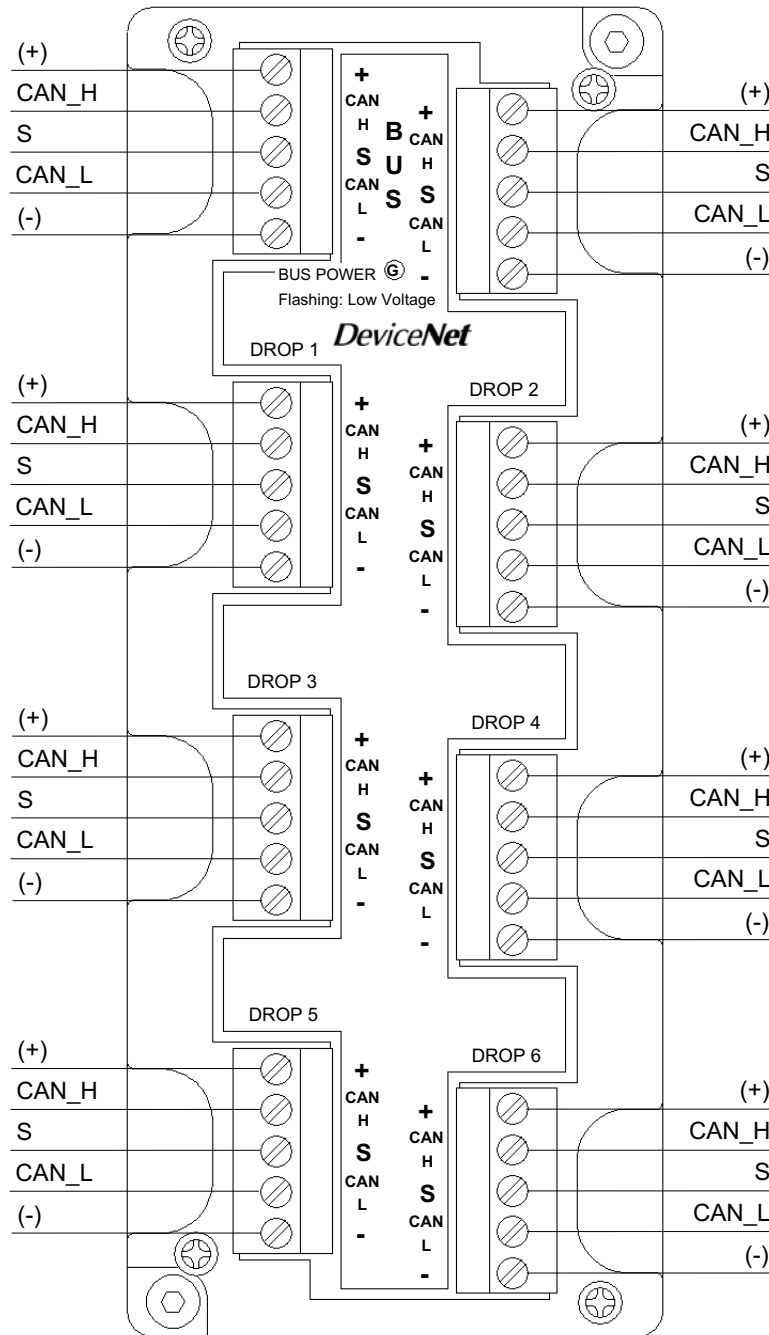
Dimensions in inches



DeviceNet Passive Drop Connector

Bus in, Bus out, and (6) Passive Drops for DeviceNet networks.

Voltage Range	35VDC	Current Consumption	10mA max
Operating Voltage	DeviceNet Voltage	Voltage Drop (Trunk)	Negligible
Current Rating	8 Amps	Voltage Drop (Spur)	Negligible
Break Current	None	LED Display:	BUS POWER, Green LED (Flashing = low voltage)
Reset Current	None		

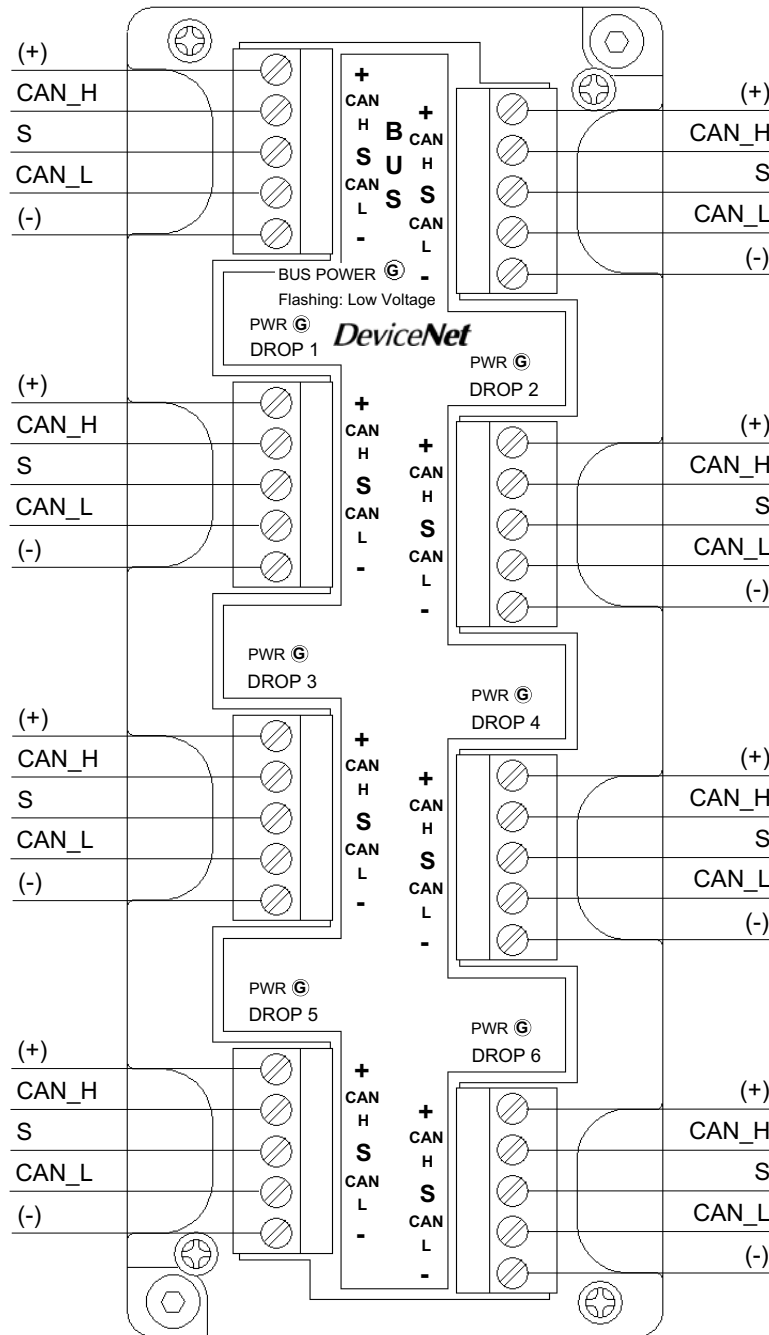


DeviceNet Power Protected Drop Connector

Bus in, Bus out, and (6) Power Protected Drops for DeviceNet networks

Voltage Range	30 VDC max	Current Consumption	10mA max
Operating Voltage	DeviceNet Voltage	Voltage Drop (Trunk)	Negligible
Current Rating	8 Amps (Bus)	Voltage Drop (Drop)	1.0 VDC max
Break Current	>240mA (on V+)*	LED Displays: BUS POWER, Green LED (Flashing = low voltage)	
Holding Current	28mA	PWR, Green LED, Drop Energized	
Reset Current	<28mA		

*Short circuit protection only on V+. Communication wires are passive

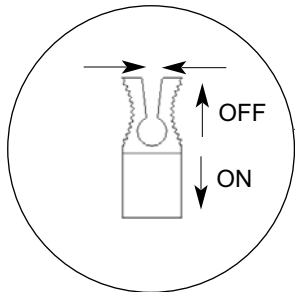


DeviceNet Switched Power Protected Drop Connector

Bus in, Bus out, and (6) Switched Power Protected Drops for DeviceNet networks.

Voltage Range	30 VDC max	Current Consumption	10mA max
Operating Voltage	DeviceNet Voltage	Voltage Drop (Trunk)	Negligible
Current Rating	8 Amps (Bus)	Voltage Drop (Drop)	1.0 VDC max
Break Current	>240mA (on V+)*	LED Displays:	BUS POWER, Green LED (Flashing = low voltage)
Holding Current	28mA		PWR, Green LED, Drop Energized
Reset Current	<28mA		

*Short circuit protection only on V+. Communication wires are passive



Drop Disconnect Switch Operation

1. To energize a selected drop, compress "ears" of yellow disconnect switch with finger tips and push down. Green "PWR" LED of selected drop will light.
2. To de-energize a selected drop, compress "ears" of yellow disconnect switch with finger tips and pull up. Green "PWR" LED of selected drop will extinguish. Drop is now isolated from the network.

