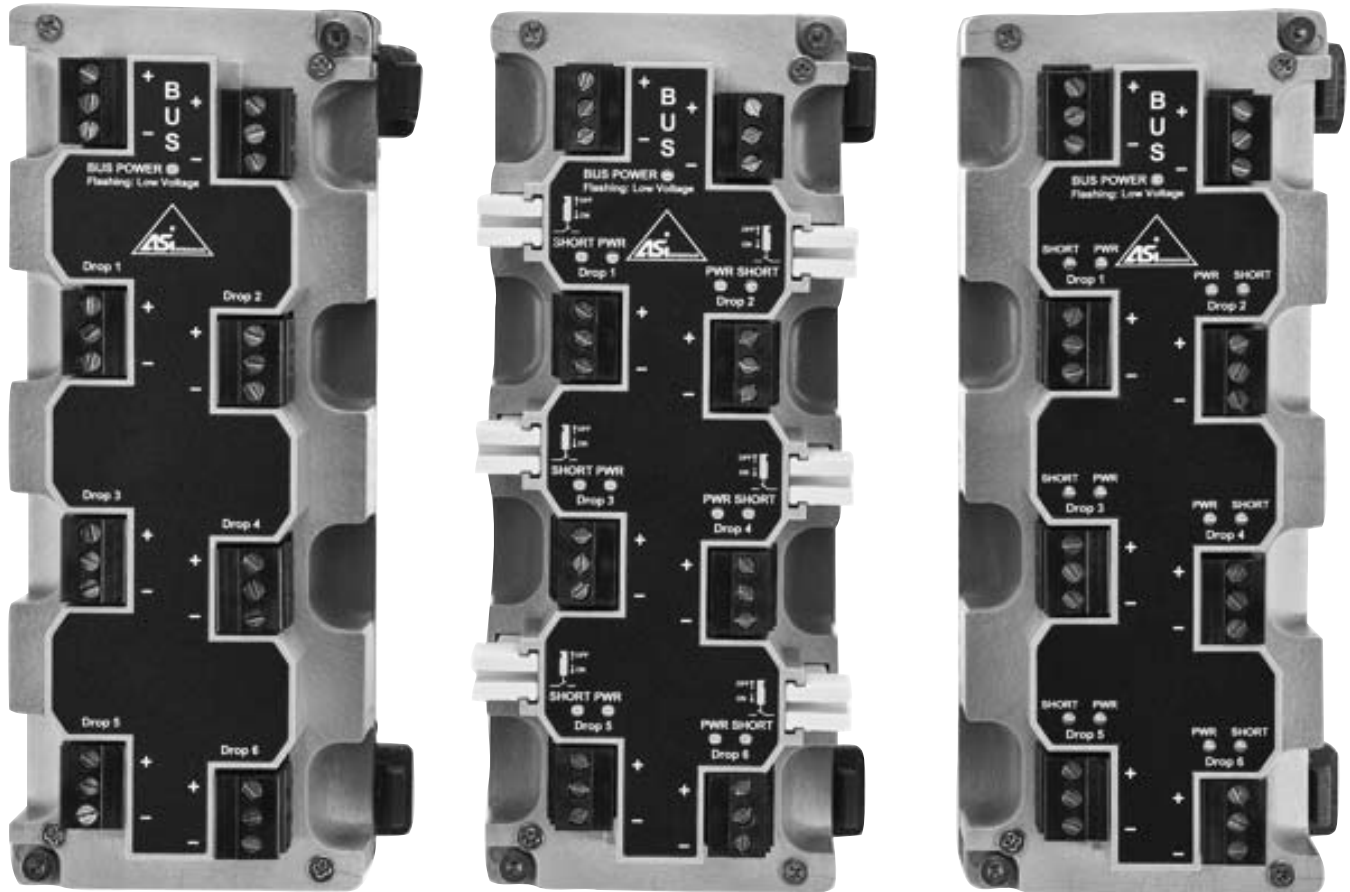




AS-Interface (1-6) DIN Rail Mount Drop Connectors



StoneL®
Valve Communication Solutions

StoneL
One StoneL Dr
26271 US Hwy 59
Fergus Falls, MN 56537
USA

© 2011 StoneL

Telephone: 218.739.5774
Toll Free: 800.843.7866
Fax: 218.739.5776
E-mail: sales@stonel.com
Website: www.stonel.com

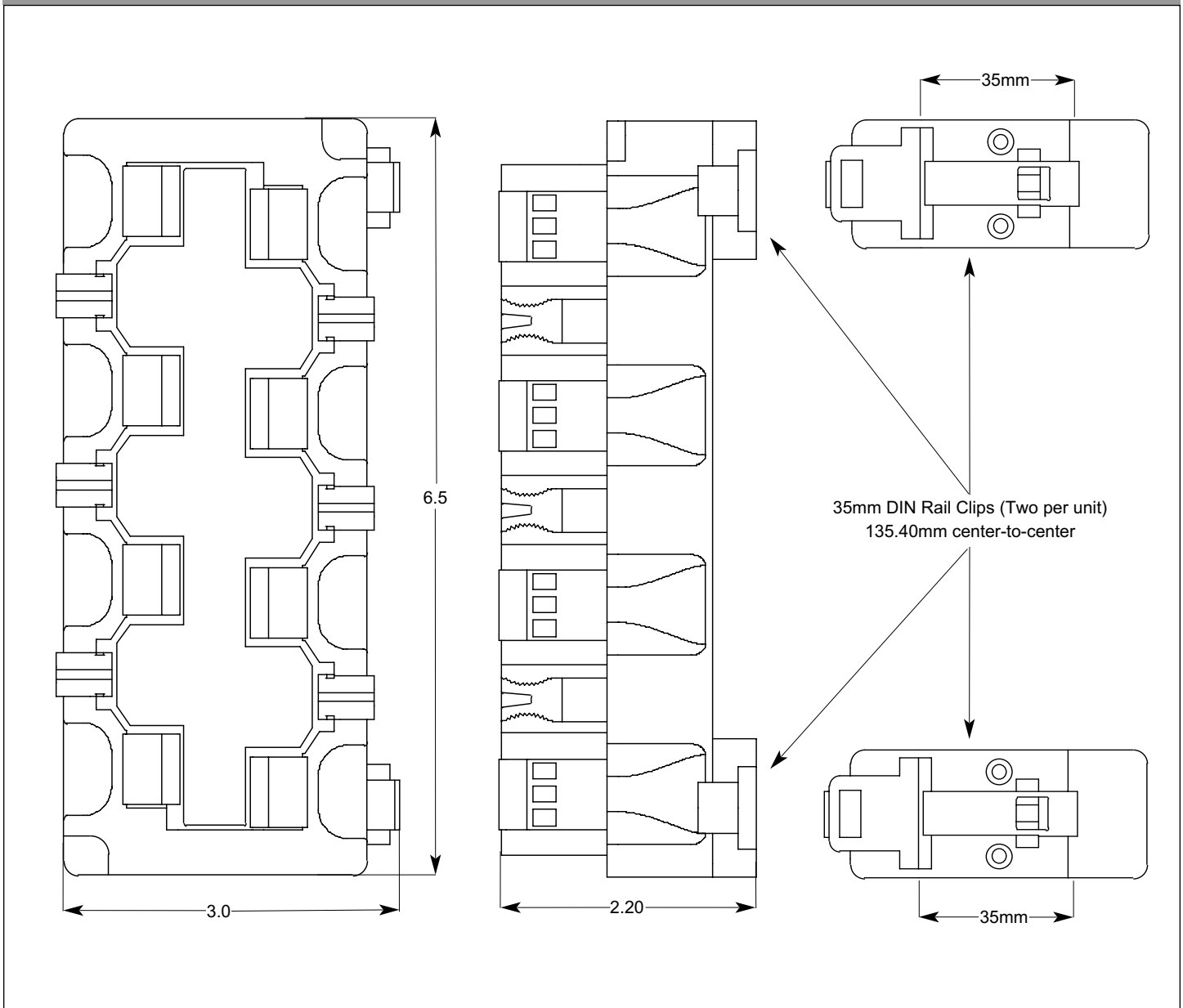
Table Of Contents Page 2
Module Guide Page 3
General Specifications and Ratings Page 3
Dimensional Data Page 3
DR465036_ AS-Interface Passive Drop Connector (Bus In/Out and (6) Drops) Page 4
DR465040_ AS-Interface Protected (240mA) Drop Connector (Bus In/Out and (6) Drops) Page 5
DR465044_ AS-Interface Switched Protected (240mA) Drop Connector (Bus In/Out and (6) Drops) Page 6

	Function	Brand	Options
DR	465036 AS-Interface Passive Drop Connector (Bus In/Out and (6) Drops) 465040 AS-Interface Protected (240mA) Drop Connector (Bus In/Out and (6) Drops) 465044 AS-Interface Switched Protected (240mA) Drop Connector (Bus In/Out and (6) Drops)	A StoneL M Metso	-***** (Special)

General Specifications

Materials of Construction	Operating Life	Unlimited
Housing	Temperature Range	-40° to +80° C (-40° to 176° F)
Fasteners	Enclosure Protection	IP20
	Warranty	Two Years

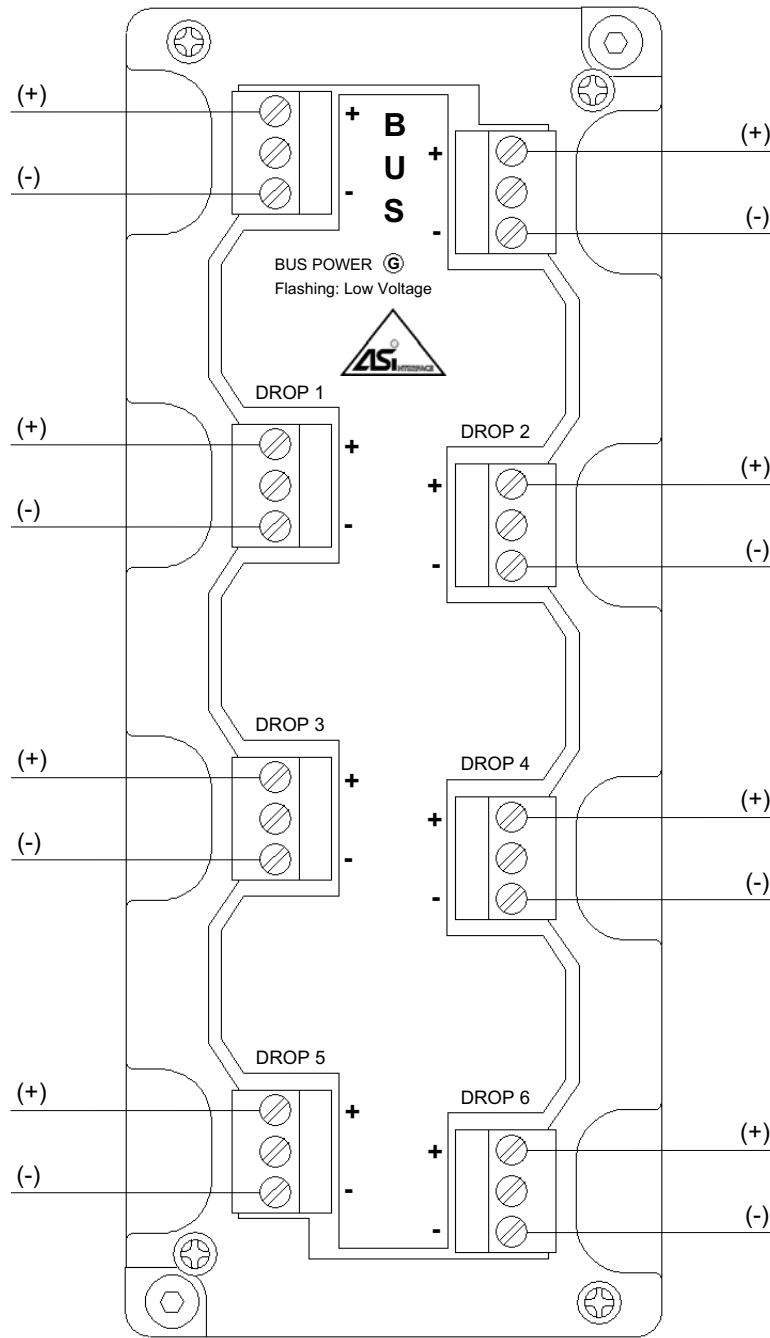
Dimensions in inches



AS-Interface Passive Drop Connector

Bus in, Bus out, and (6) Passive Drops for AS-Interface networks.

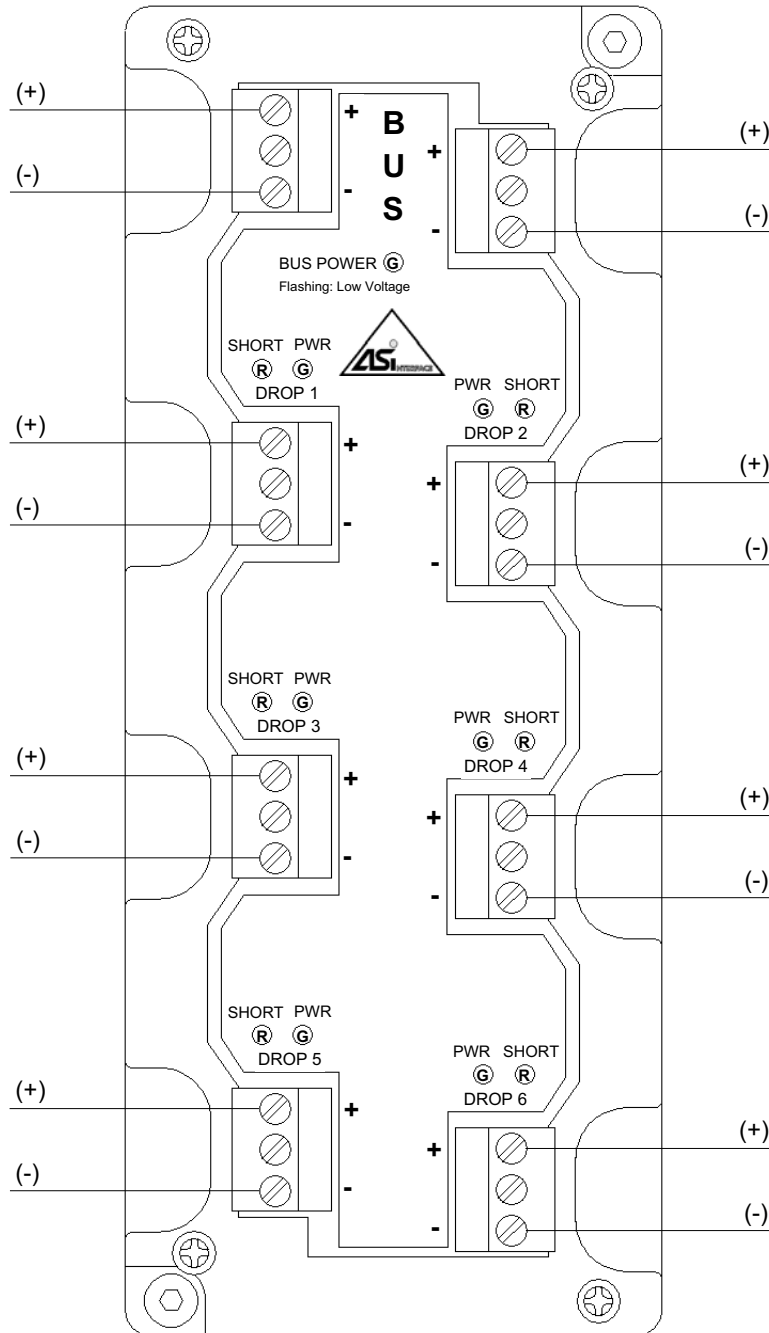
Voltage Range	35VDC	Current Consumption	20mA max
Operating Voltage	AS-Interface Voltage	Voltage Drop (Trunk)	Negligible
Current Rating	8 Amps	Voltage Drop (Spur)	Negligible
Break Current	None	LED Display:	BUS POWER, Green LED (Flashing = low voltage)
Reset Current	None		



AS-Interface Protected Drop Connector

Bus in, Bus out, and (6) Protected Drops for AS-Interface networks.

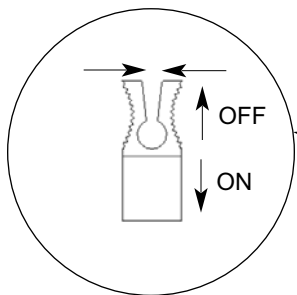
Voltage Range	31.6 VDC max	Current Consumption	20mA max
Operating Voltage	AS-Interface Voltage	Voltage Drop (Trunk)	Negligible
Current Rating	8 Amps (Bus)	Voltage Drop (Drop)	1.0 VDC max
Break Current	>240mA	LED Displays:	BUS POWER, Green LED (Flashing = low voltage)
Holding Current	28mA		PWR, Green LED, Drop Energized
Reset Current	<28mA		SHORT, Red LED, Drop in over-current state



AS-Interface Switched Protected Drop Connector

Bus in, Bus out, and (6) Protected Drops for AS-Interface networks.

Voltage Range	31.6 VDC max	Current Consumption	20mA max
Operating Voltage	AS-Interface Voltage	Voltage Drop (Trunk)	Negligible
Current Rating	8 Amps (Bus)	Voltage Drop (Drop)	1.0 VDC max
Break Current	>240mA	LED Displays:	BUS POWER, Green LED (Flashing = low voltage)
Holding Current	28mA		PWR, Green LED, Drop Energized
Reset Current	<28mA		SHORT, Red LED, Drop in over-current state



Drop Disconnect Switch Operation

1. To energize a selected drop, compress "ears" of yellow disconnect switch with finger tips and push down. Green "PWR" LED of selected drop will light.
2. To de-energize a selected drop, compress "ears" of yellow disconnect switch with finger tips and pull up. Green "PWR" LED of selected drop will extinguish. Drop is now isolated from the network.

