

Junction Module (JM™) Enclosure with:

AS-Interface Input/Output Module (JMM96___)

These I/O Modules are designed to function as AS-Interface nodes with termination points for connecting switches/sensors, as well as outputs to operate devices such as low power solenoid valves and relays.

Inputs and Outputs

- Four (4) Discrete Inputs
- Four (4) Discrete Outputs

Features

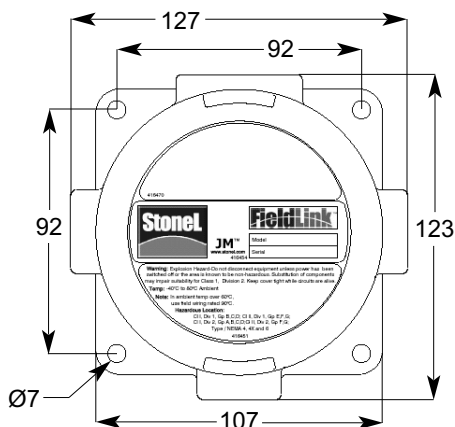
- LED input displays for Inputs 3 & 4
- Optional Integrated Solenoid



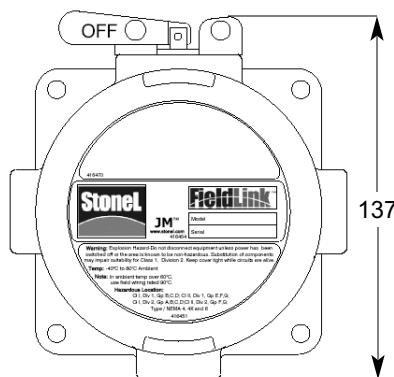
(See Page 3 detailed wiring instructions)

JM Enclosure Dimensions (in mm)

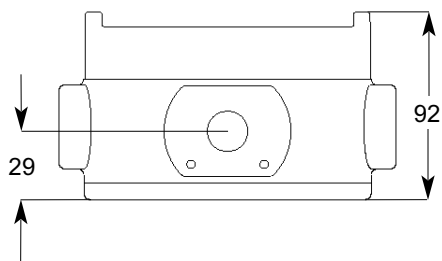
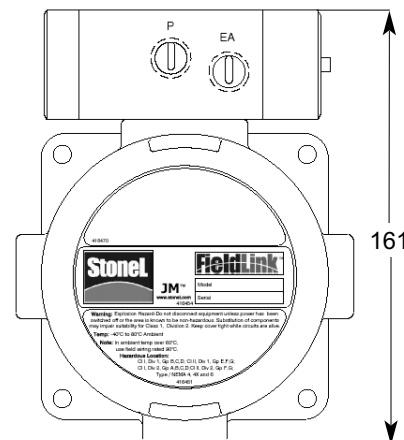
Standard Enclosure



Switched Enclosure



Enclosure w/Cyclone Valve



© 2001 StoneL Corporation

StoneL Corporation
 One StoneL Dr
 26275 US Hwy 59
 Fergus Falls, MN 56537
 USA

Telephone: 218.739.5774
 Toll Free: 800.843.7866
 Fax: 218.739.5776
 E-mail: sales@stonel.com
 Website: www.stonel.com

Example: JMM962HE3

JM	M96	Function I/O Module (4 DI/4 DO), AS-Interface v2.1 (only w/ Solenoid 11,2B,2E,2H,2L)	Solenoid				Enclosure C Clear Cover E Epoxy Coated Aluminum	Conduit Entries 3 (3) 1/2" NPT N (4) 1/2" NPT 6 (3) M20 M (4) M20 9 (3) 3/4" NPT T (4) 3/4" NPT
			Pilot	Type	Brass	SS		
			11 No Solenoid					
			1-Solenoid	2-Postn,5-Way	2H	2B		
			1-IS Piezo	2-Postn,5-Way	3G	3A		
			2-Solenoids	2-Postn,5-Way	2L	2E		

General Specifications

Operating Life	Unlimited	Temperature Range	-40° to +80° C (-23° to 180° F)
Materials of Construction		Enclosure Protection	NEMA 4, 4X & 6; IP67
Housing and Cover	Marine grade anodized aluminum epoxy coating	Hazardous Area Ratings	
Clear Cover	Lexan® Polycarbonate	Explosion Proof (Aluminum Cover)	Class I, Div. 1 and 2, Groups B,C,D
Elastomer Seals	Buna-N		Class II, Div. 1 and 2, Groups E,F,G
Fasteners	Stainless Steel	Non-incendive (Clear Cover)	Class I, Div. 2, Groups A,B,C,D
Warranty			Class II, Div. 2, Groups E,F,G
Complete Assemblies	Two Years		(Not all units carry approvals, consult factory)

Lexan is a registered trademark of General Electric Corporation.

Mounting Instructions

Mounting The JM Enclosure

1. Locate the position where the JM enclosure will be mounted. Ensure that there is sufficient room to operate the disconnect switch levers and to remove the cover.
2. Attach the JM enclosure to a wall or other stationary flat surface using the mounting holes provided.
3. Secure the cover until hand tight

Attaching Conduit and Fittings

1. Conduit entries are provided for the convenient attachment of threaded conduit and threaded conduit fittings. Attach threaded fittings and conduits securely.
2. Follow all applicable NEC codes and other regulations.

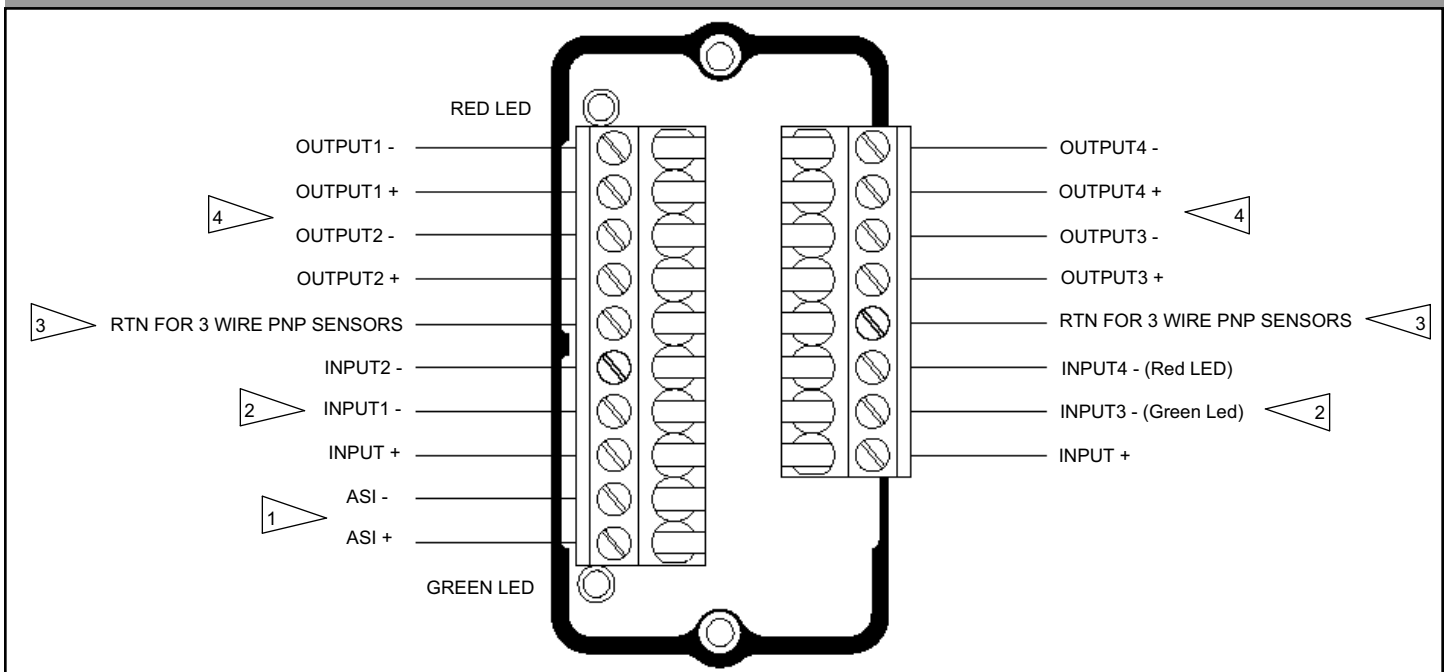
Installing & Removing Cover

1. To insure NEMA 4, 4X, 6 and hazardous location ratings are maintained the cover **must be** completely closed and the O-Ring sealed to keep out water.

AS-Interface 4 DI/4 DO Input/Output Modules

Operating Voltage	AS-Interface voltage	AS-Interface Profile	ID Code = F; I/O Code = 7 (4 DI/4 DO)										
Inputs	(4) 3mA @ 28 VDC gold contact mechanical, low power reed, or 2 wire and 3 wire PNP solid state sensors	Default Address	00										
Outputs	(4) 28 VDC - Bus Powered (4 Watts total power available)	Bit Assignment	<table border="0" style="width: 100%;"> <tr> <td style="width: 50%;"><u>Input Data</u></td> <td style="width: 50%;"><u>Output Data</u></td> </tr> <tr> <td>Input 1= DI0</td> <td>Output 1 = DO2</td> </tr> <tr> <td>Input 2= DI1</td> <td>Output 2 = DO3</td> </tr> <tr> <td>Input 3= DI2</td> <td>Output 3 = DO0</td> </tr> <tr> <td>Input 4= DI3</td> <td>Output 4 = DO1</td> </tr> </table>	<u>Input Data</u>	<u>Output Data</u>	Input 1= DI0	Output 1 = DO2	Input 2= DI1	Output 2 = DO3	Input 3= DI2	Output 3 = DO0	Input 4= DI3	Output 4 = DO1
<u>Input Data</u>	<u>Output Data</u>												
Input 1= DI0	Output 1 = DO2												
Input 2= DI1	Output 2 = DO3												
Input 3= DI2	Output 3 = DO0												
Input 4= DI3	Output 4 = DO1												
Current Usage	40mA (no I/O enabled)	Operating Life	Unlimited										
		Warranty	Two Years										

Input/Output Module Wiring Diagram and Installation Notes



INSTALLATION NOTES:

1. AS-Interface bus communications connection points.
2. Bus powered Discrete Input connection points for low power (3mA @ 28 VDC) gold contact mechanical switches, low power reed, or 2 wire and 3 wire PNP solid state proximity sensors (max allowable current leakage of sensors 0.3mA) . Red LED is local indication of discrete Input 4 on/off status and the Green LED for discrete Input 3 on/off status.
3. Connection point for the "return" of 3 wire PNP sensors. (See Note 2)
4. Connection points 28 VDC Bus powered Discrete Outputs (4 watts total power available) for low power solenoid valves and relays. For models with single coil pneumatic valves, coil is pre-wired to Output 1 (DO bit 2). For models with dual coil pneumatic valves, coil one is pre-wired to Output 1 (DO bit 2) and coil two is pre-wired to Output 2 (DO bit 3).

The Cyclone Pneumatic Valve is a pilot operated 5-way spring return which may be used for single and double-acting actuators. It features a direct-acting solenoid with manual override for the pilot. The porting is sized to tolerate contaminants up to 40 microns in size which may be found in conventional pneumatic systems.

The Cyclone Pneumatic Valve is O-ring sealed on the Junction Module (JM) enclosure to maintain it's temporary submersibility rating.

24 VDC Pilot

Power	1.8 Watts
Current draw	75 mA @24VDC
Temperature	-18°C to +50°C
Filtration Requirements	40 Microns
Pressure Range	25 to 120 PSI
Cv	0.75 (10.7 Kv)

Piezo Pilot

Current draw	2mA @6.5VDC
Temperature	-10°C to +60°C
Filtration Requirements	30 Microns
Pressure Range	25 to 120 PSI
Cv	0.75 (10.7 Kv)

Porting	1/4" NPT
Valve Body Material	360 brass or 303 Stainless
Operating Life	1 million cycles

Manual Overrides:

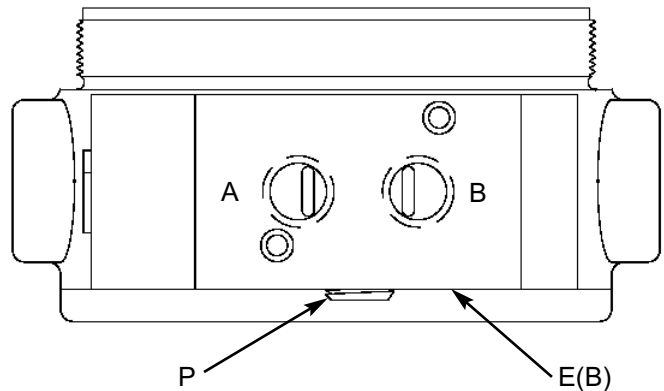
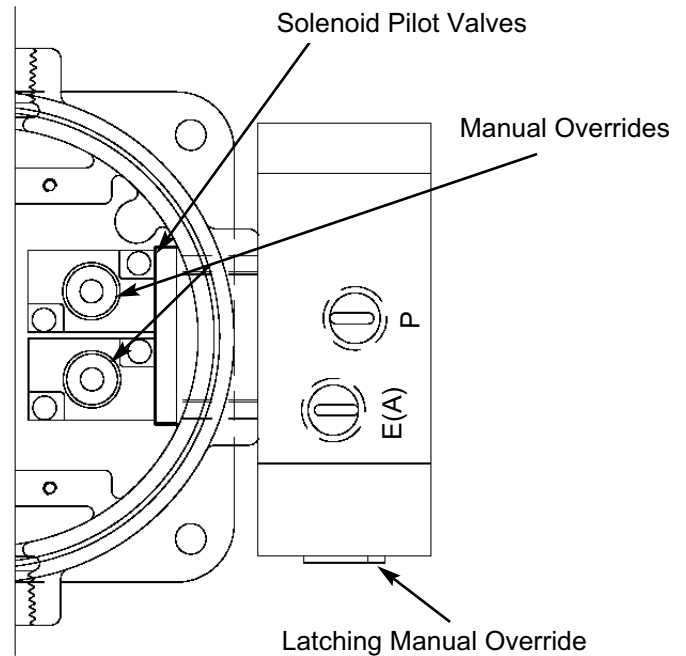
One internal momentary and One external locking.

Variable Speed Adjustment: Each cylinder port is internally ported to a unique exhaust port (EA for exhaust of port A and EB for exhaust of port B). To vary actuator speed flow restrictors may be added to EA or EB to reduce exhaust flow and actuator speed in either direction.

Single-Acting Vent to Atmosphere or Refresh:

Exhaust (EA or EB) and secondary ports (A or B) may be blocked for single-acting operation with the actuator venting directly to atmosphere. Alternatively, the secondary port may be plumbed to the actuator supplying air to the spring side of the actuator and preventing it from ingesting atmospheric contaminants.

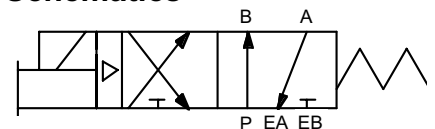
Pneumatic Porting



- P - Pressure Port (1/4 " NPT)
- A - Cylinder Port (1/4" NPT)
- B - Cylinder Port (1/4" NPT)
- E(A) - Exhaust for Cylinder Port A (1/4" NPT)
- E(B) - Exhaust for Cylinder Port B (1/4" NPT)

Schematics

Single Coil: 5 way with Pneumatic pilot



Dual Coil: Shuttle Piston with 2 Pneumatic pilots (2 Position Valve with position detent)

