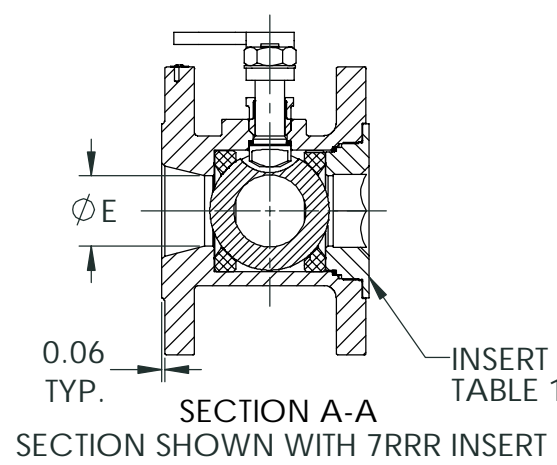
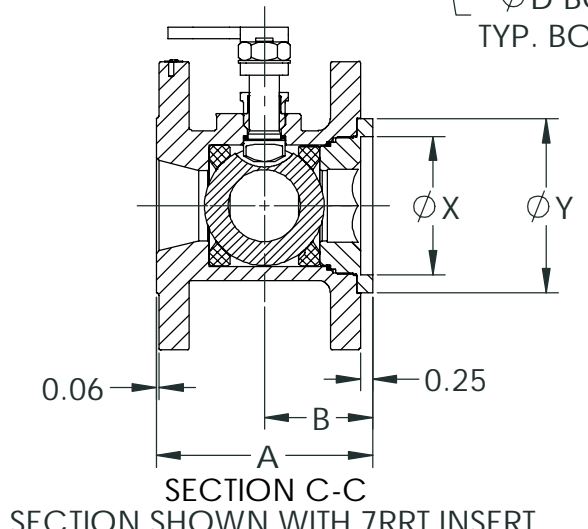
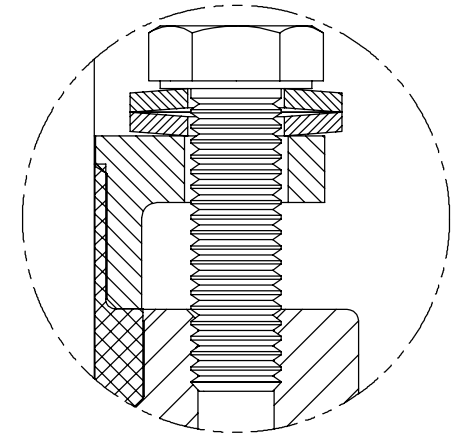
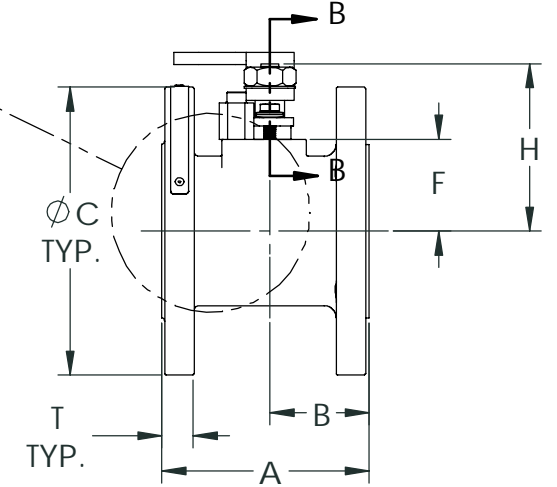
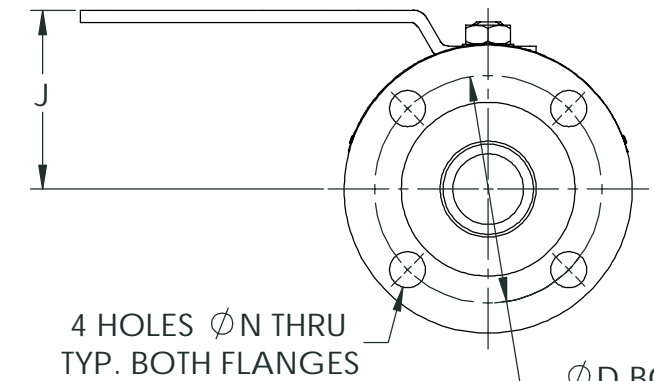
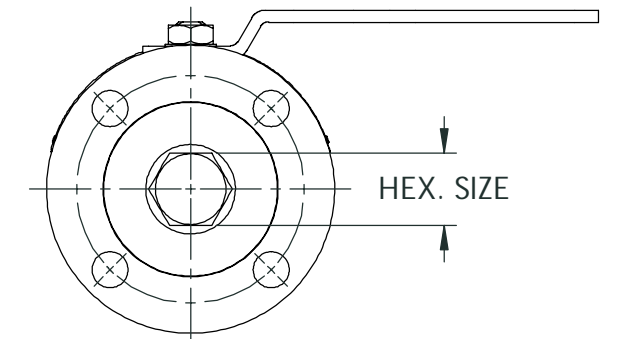
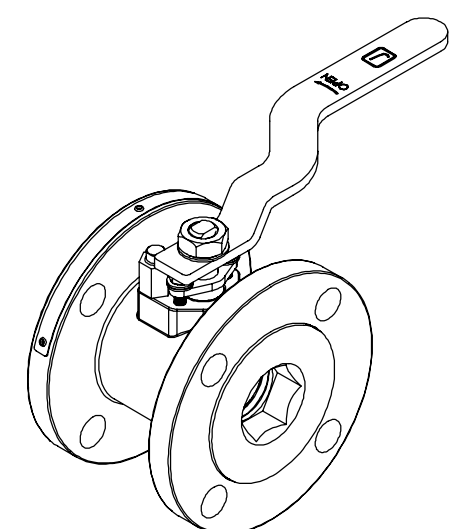
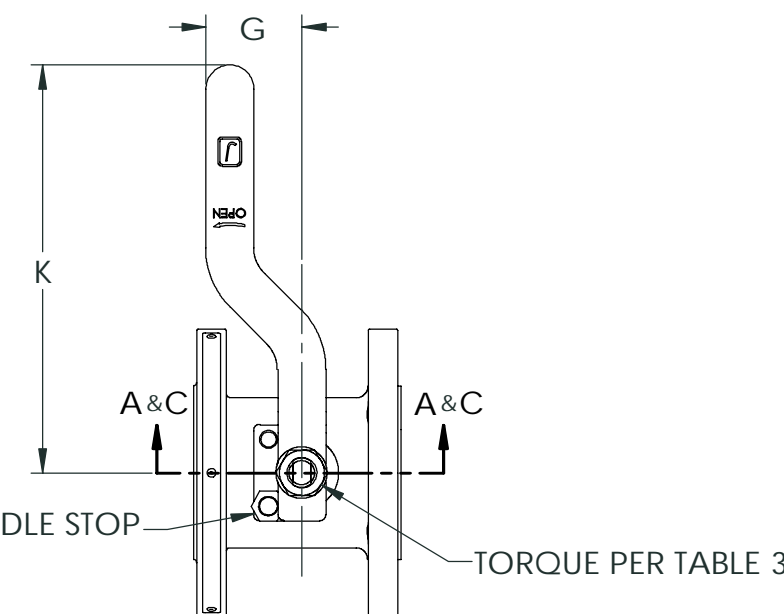
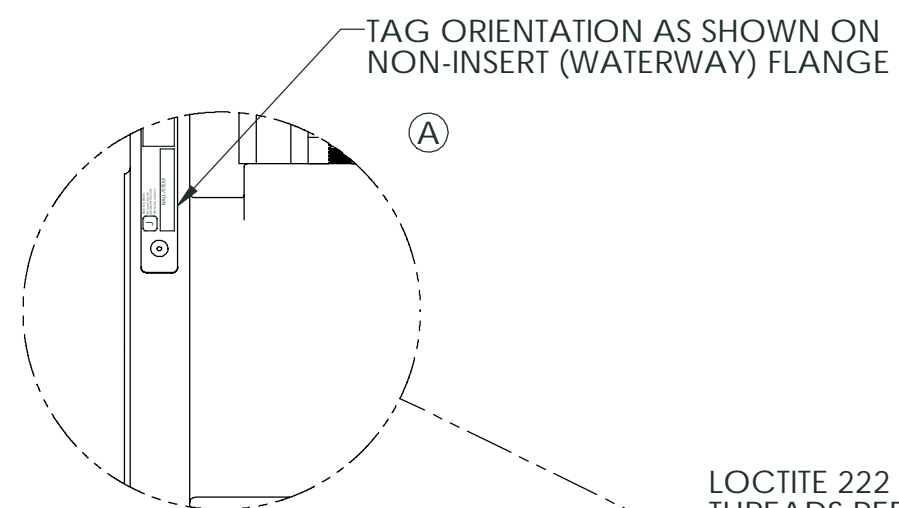


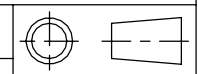
LET	ECN	REVISION	DRAWN	APPROVED	DATE
A	20502	ADDED DETAIL VIEW OF TAG	PJD	KAS	7/22/10
B	42680	0.50 WAS 0.56 0.68 WAS 0.75	PJD	KAS	12/3/14
C	42857	ADDED ITEM 16 TO LIST OF PARTS ON PAGE 2	PJD	KAS	3/23/15



- NOTES:**
1. TAG ATTACHMENT PER JMA-98.
  2. FOR INSTALLATION, MAINTENANCE AND OPERATING INSTRUCTIONS SEE IMO-R21.

VALVE SIZE	NOMINAL DIMENSIONS - INCHES																
	A	B	A	B	C	D	E	F	G	H	J	K	N	T	X	Y	HEX. SIZE
	7RRR		7RRt														
1"	3.83	2.01	4.02	2.20	4.25	3.12	0.88	1.36	1.92	2.58	2.92	7.12	0.62	0.50	1.50	2.00	0.88
2"	4.32	2.07	4.51	2.26	6.00	4.75	1.50	1.91	2.00	3.49	3.73	8.50	0.75	0.68	2.88	3.62	1.50

© 2014 Metso



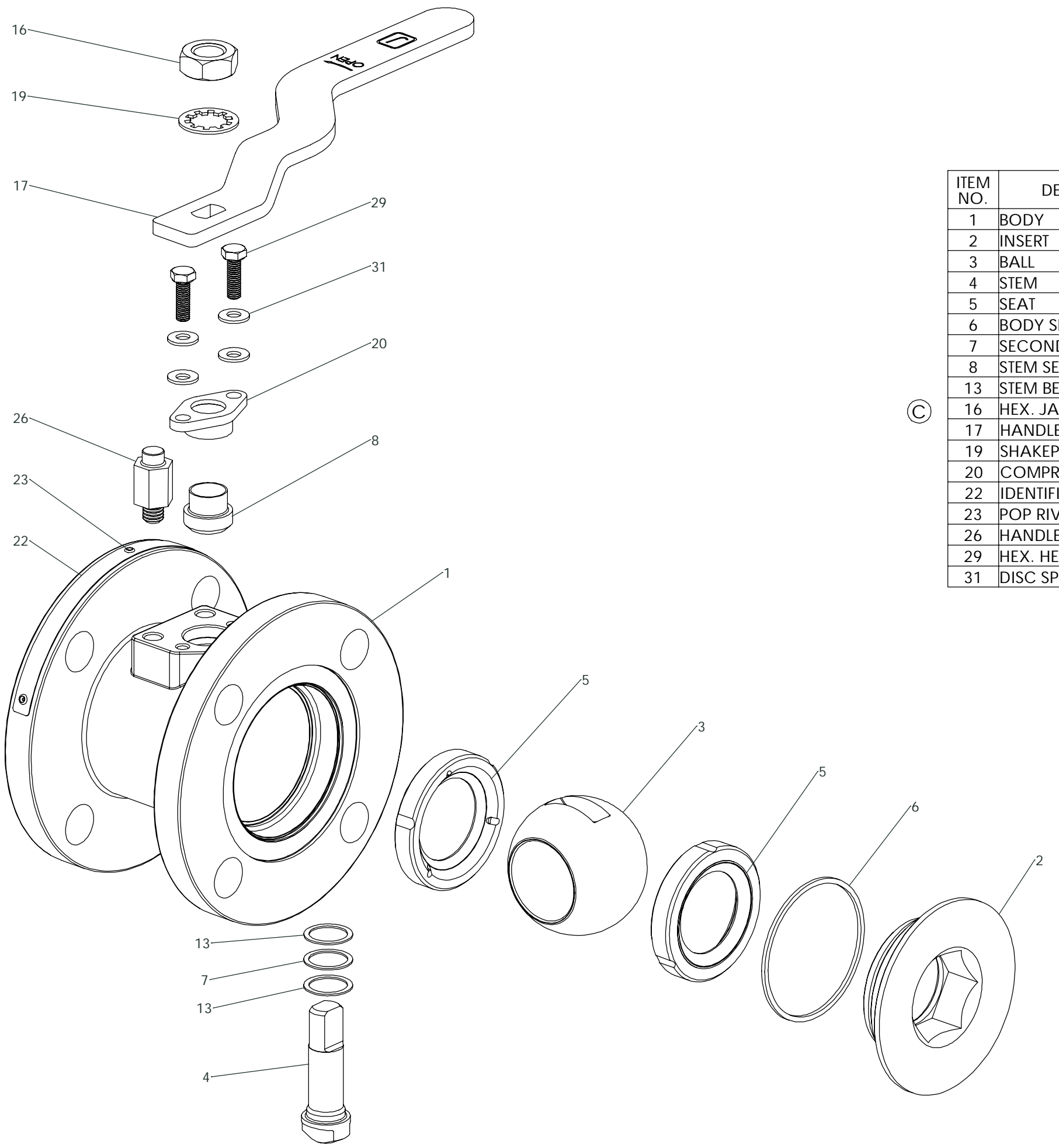
THIS DRAWING AND ALL INFORMATION CONTAINED HEREIN ARE THE PROPERTY OF METSO AND ARE NOT TO BE USED EXCEPT AS AUTHORIZED IN WRITING BY METSO.

UNLESS OTHERWISE NOTED DIMENSIONING, TOLERANCING, & DRAWING INTERPRETATION IS IN ACCORDANCE WITH ASME Y14.5M

ANGLES = ±5° FINISH REMOVE SHARP EDGES AND CORNERS TO 0.2 - 0.3 RADIUS OR CHAMFER, DIMENSIONS IN INCHES.

SPECIFICATIONS TO BE USED IN CONJUNCTION WITH THIS DRAWING		MAKE FROM PART NO.	<b>INTERNAL</b>	
JSA-01	JSA-10	TITLE:	DRAWN	DATE
JSA-17	JSA-34	ASSEMBLY	PJD	5/20/08
JST-02		1" & 2" 7RRR & 7RRt TOP LOADING STANDARD PORT BALL VALVE	APPVD.	DATE
			DRE	5/27/08
SIZE	DWG NO.	REV		
D	5482	C		

SHREWSBURY, MASSACHUSETTS



LET	ECN	REVISION	DRAWN	APPROVED	DATE
A	20502	See Sheet1	-	-	-
B	42680	See Sheet 1	-	-	-
C	42857	See Sheet 1	-	-	-

ITEM NO.	DESCRIPTION	QTY.
1	BODY	1
2	INSERT	1
3	BALL	1
4	STEM	1
5	SEAT	2
6	BODY SEAL	1
7	SECONDARY STEM SEAL	1
8	STEM SEAL	1
13	STEM BEARING	2
16	HEX. JAM NUT	1
17	HANDLE	1
19	SHAKEPROOF WASHER	1
20	COMPRESSION PLATE	1
22	IDENTIFICATION PLATE	1
23	POP RIVET	3
26	HANDLE STOP	1
29	HEX. HEAD CAP SCREW	2
31	DISC SPRING	4

©

TABLE 1	
INSERT TORQUE	
VALVE SIZE	TORQUE LB.-FT. (±10%)
1"	150
2"	350

TABLE 2	
HEX. HEAD CAP SCREW TORQUE	
VALVE SIZE	TORQUE LB.-IN.
1"	20
2"	32

TABLE 3	
HANDLE NUT TORQUE	
VALVE SIZE	TORQUE LB.-FT.
1"	20 - 25
2"	30 - 35

THIS DRAWING AND ALL INFORMATION CONTAINED HEREIN ARE THE PROPERTY OF METSO AND ARE NOT TO BE USED EXCEPT AS AUTHORIZED IN WRITING BY METSO.

UNLESS OTHERWISE NOTED DIMENSIONING, TOLERANCING, & DRAWING INTERPRETATION IS IN ACCORDANCE WITH ASME Y14.5M

ANGLES = ±5° FINISH REMOVE SHARP EDGES AND CORNERS TO .02 - .03 RADIUS OR CHAMFER, DIMENSIONS IN INCHES.

SPECIFICATIONS TO BE USED IN CONJUNCTION WITH THIS DRAWING

MAKE FROM PART NO.

TITLE: ASSEMBLY 1" & 2" 7RRR & 7RRT TOP LOADING STANDARD PORT BALL VALVE

INTERNAL

© 2014 Metso

SHREWSBURY, MASSACHUSETTS

SIZE D DWG NO 5482 REV C

DRAWN PJD DATE 5/20/08

APPVD DRE DATE 5/27/08