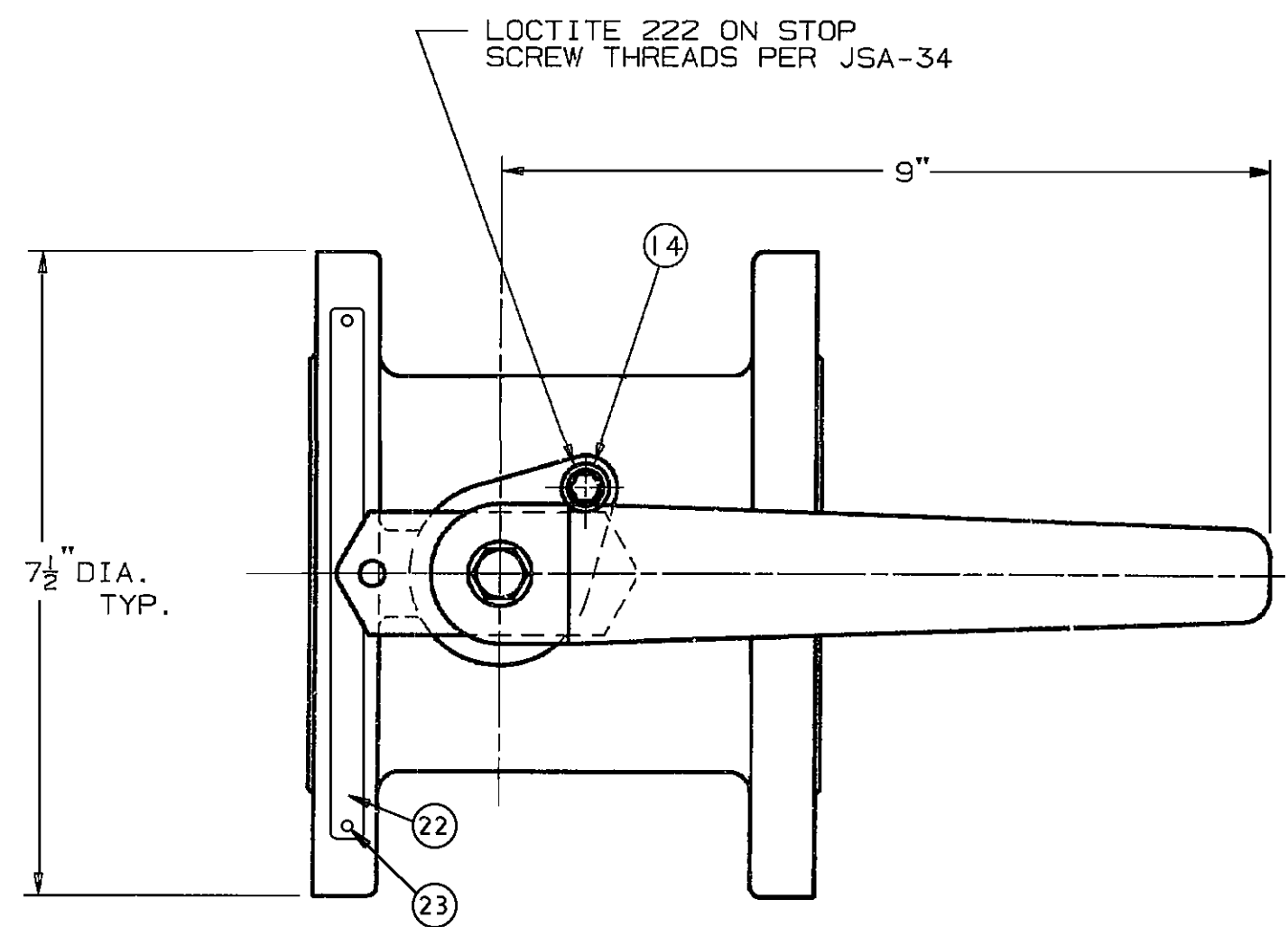
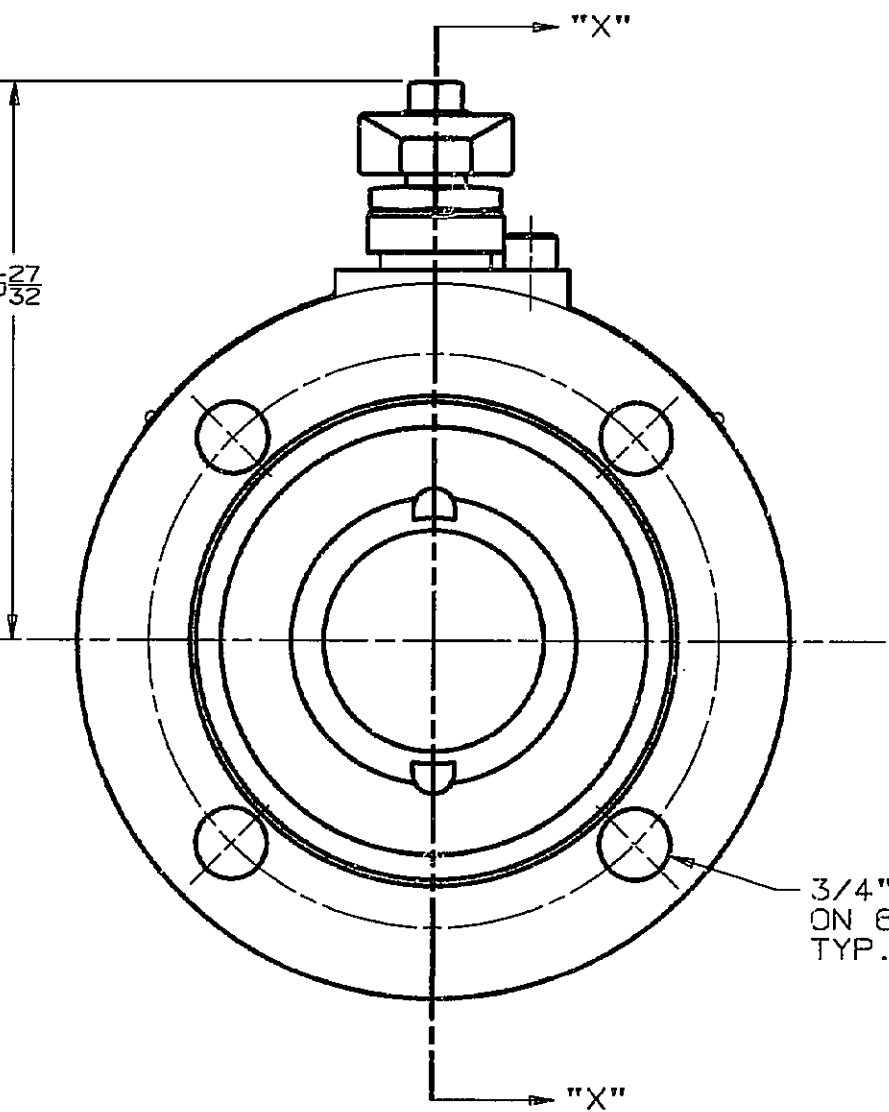
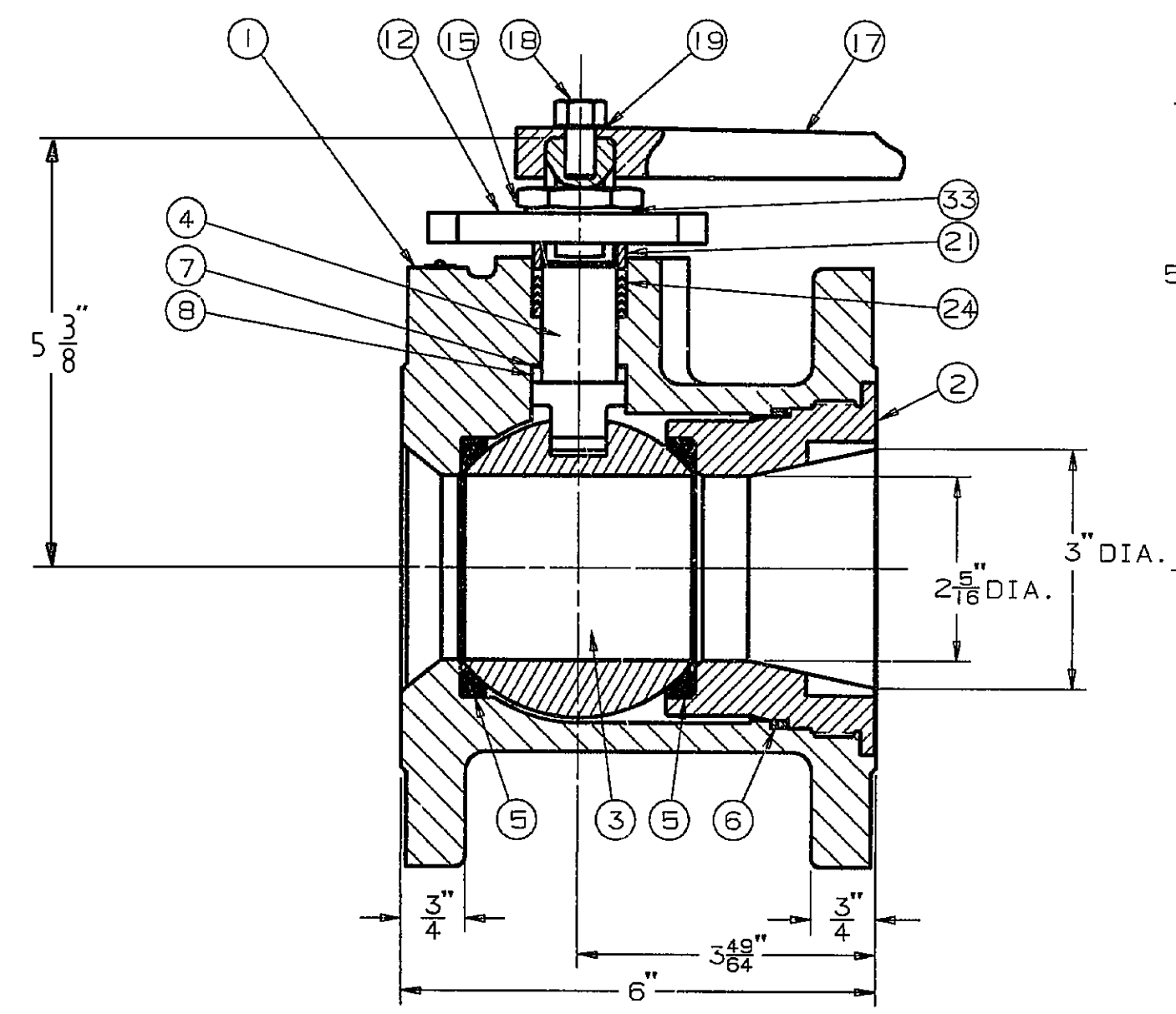


SUPERSEDING		SUPERSEDED BY			
LET	ECN	REVISION	DR.	APPVD.	DATE
A	13975	HANDLE WAS 8"	EVA	GW	OCT91
B	18322	MOVED ITEM 22 TO OTHER FLG.	BA	PJD	12JUN02



VALVE SIZE	INSERT ASS'Y TORQUE
3"	450/500 FT-LBS

ITEM NO.	PART NAME
1.	BODY
2.	INSERT
3.	BALL
4.	STEM
5.	SEAT
6.	BODY SEAL
7.	SECONDARY STEM SEAL
8.	STEM SEAL
12.	INDICATOR STOP
14.	STOP SCREW
15.	STEM NUT
17.	HANDLE
18.	HEX. HD. CAP SCREW
19.	LOCKWASHER
21.	COMPRESSION RING
22.	IDENTIFICATION TAG
23.	DRIVE SCREW
24.	UPPER STEM SEAL
33.	LOCKWASHER



3/4" DIA. HOLES ON 6" DIA. BOLT CIRCLE TYP.

SECTION "X-X"

MAT'L. CODE	MATERIAL TYPE	MATERIAL SPECIFICATIONS	IDENT. MARK
		DO NOT SCALE DRAWING	SCALE 3/4"=1"
<small>THIS DRAWING AND ALL INFORMATION CONTAINED HEREIN ARE THE PROPERTY OF THE NELES-JAMESBURY CORP AND ARE NOT TO BE USED EXCEPT AS AUTHORIZED BY SAID CORPORATION.</small>		<small>NELES-JAMESBURY SPECIFICATIONS APPLICABLE ON THIS DWG.</small>	<small>MAKE FROM PART NO.</small>
<small>UNLESS OTHERWISE NOTED DIMENSIONING, TOLERANCING, &amp; DRAWING INTERPRETATION IS IN ACCORDANCE WITH ANSI Y14.5-1992 &amp; DD-STD-100.</small>		<small>DR.</small> RRR <small>DATE</small> 28JUN91	<small>DATE</small> 28JUN91
<small>ALL MACHINE SURFACES TO BE 250</small>		<small>APPVD.</small> GRW <small>DATE</small> 28JUN91	<small>DATE</small> 28JUN91
<small>BREAK ALL SHARP CORNERS 1/64 MAX REMOVE ALL BURRS</small>		<b>NELES-JAMESBURY</b> WORCESTER, MASS. U.S.A.	
FOR JW USE ONLY		<b>D 5102</b>	