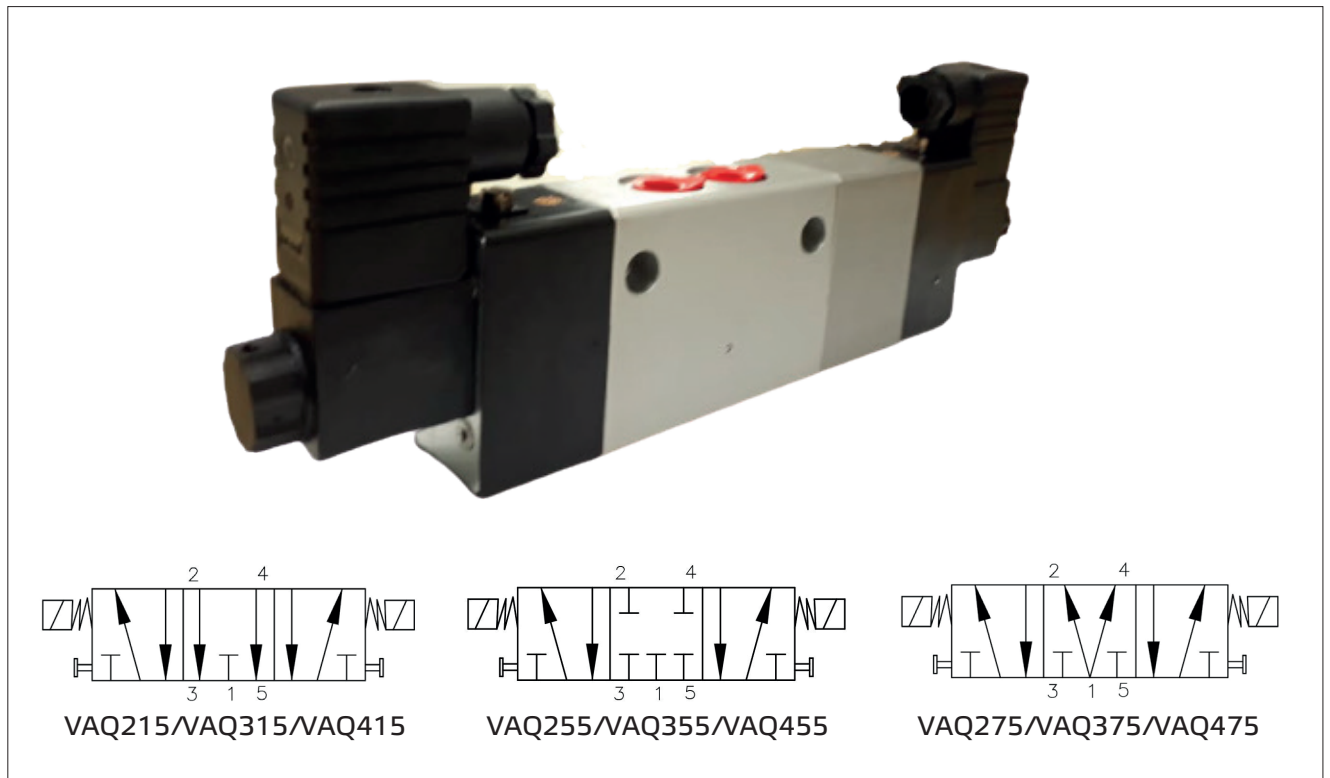


Neles Easyflow™ solenoid valves

Series VAQ

5/3 way spool type solenoid valve - double coil

Model No: VAQ215/VAQ315/VAQ255/
VAQ355/VAQ455/VAQ275

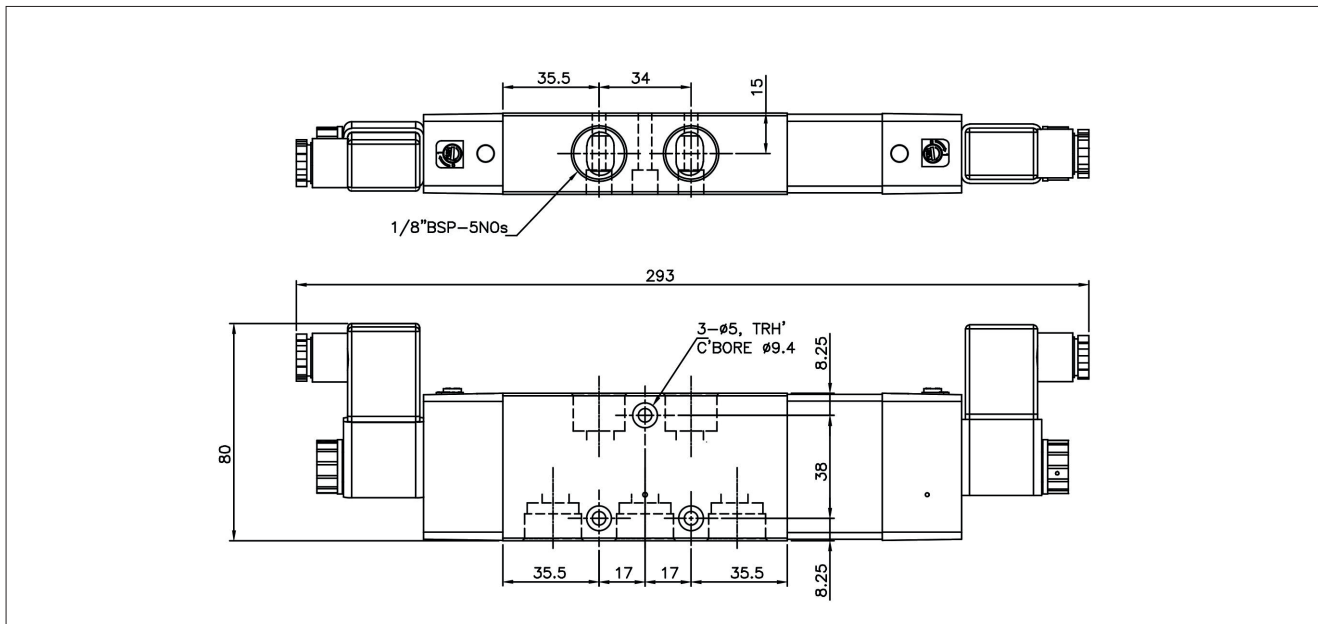


Features

- Mounts in any position
- Solenoid capable of turning 360°
- Solenoid continuous duty rated
- Noiseless performance
- Available in BSP & NPT port thread type

Technical specification

ITEM NO.	UNIT QTY.		
Model	VAQ215 VAQ315 VAQ315	VAQ255 VAQ355 VAQ455	VAQ275 VAQ375 VAQ475
Type	5/3 way spool design, double coil, spring return direction control valve		
Media	Compressed air, 50 µm, filtered, lubricated or unlubricated		
mounting	Through holes in housing, also suitable for mounting on manifold		
Orifice (mm)	10		
Flow factor (kv) (L/min)	33		
Port size	1/4" 3/8" 1/2"	1/4" 3/8" 1/2"	1/4" 3/8" 1/2"
Operating pressure range (bar)	2.5-10		
Temperature range (°C)	-20 to 80		
Response time at 5 bar	On time 32 msec, off time 48 msec		
Manual override type	Screw driver type		
Operating voltage	12, 24, 48 VDC 220 VAC-50 Hz 110 VAC-50Hz		
DC: 12, 24, 48	NBR		
Duty cycle	continuous		
Coil insulation class	F		
Valve body MOC	aluminum		
Seals MOC	NBR		
FEATURE	Double solenoid centre exhaust valve.	Double solenoid centre off valve.	Double solenoid centre pressure valve.



How to order

1	2	3	4	5	6
VAQ	2	55	G	00	01D0

1.	Valve type
VAQ	5/3 way

2.	Port size
2	1/4"
3	3/8"
4	1/2"

3	Operator
15	Double coil solenoid valve with center exhaust
55	Double coil solenoid valve with center off
75	Double coil solenoid valve with center pressurized

4	Port thread type
G	BSP
R	NPT

5	Seal material
00	NBR
01	VITON

ORDERING EXAMPLE:

1. VAQ-2-55-G-00-01D0. This is a 5/3 position double coil center off solenoid valve with port size of 1/4" BSP having coil voltage of 12VDC along with NBR as a seal material.
2. VAQ-4-15-R-00-01A0. This is a 5/3 position double coil center exhaust solenoid valve with port size of 1/2" NPT having coil voltage of 24VAC along with NBR as a seal material.

Valmet Flow Control Oy

Vanha Porvoontie 229, 01380 Vantaa, Finland.

Tel. +358 10 417 5000.

www.valmet.com/flowcontrol

Subject to change without prior notice.

Neles, Neles Easyflow, Jamesbury, Stonel, Valvcon and Flowrox, and certain other trademarks, are either registered trademarks or trademarks of Valmet Oyj or its subsidiaries in the United States and/or in other countries.

For more information www.neles.com/trademarks

