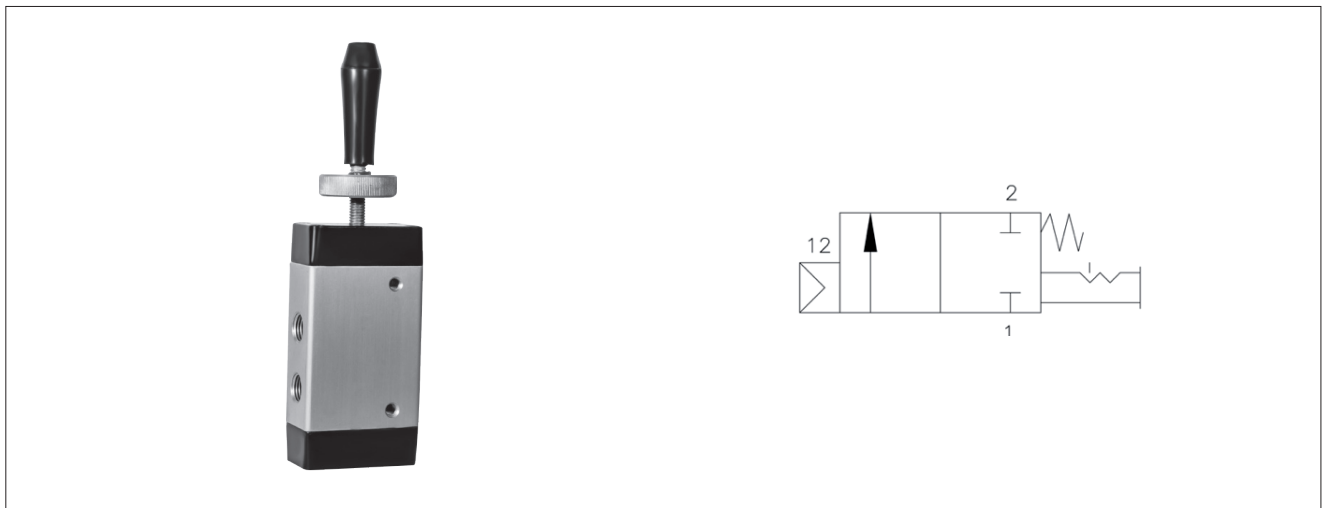


Neles Easyflow™ pneumatic lock relays

Series ALRQ

2/2 way air operated valve with manual override

Model no. ALRQ-3



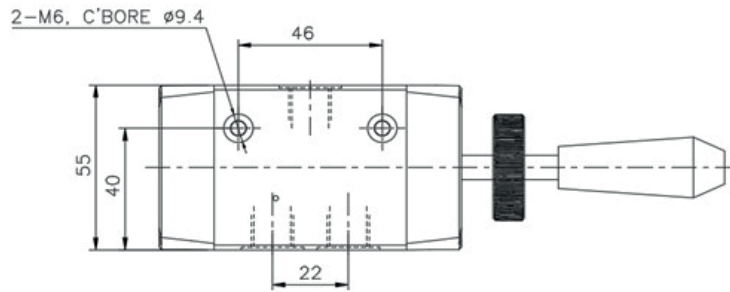
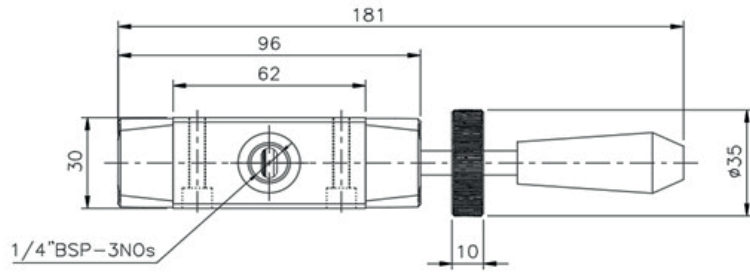
Features

- Lock in place function in case air supply failure
- Trip pressure 2,5 bar (not adjustable, factory set)
- Manual override for actuator pneumatic lock out
- 4 way versions available where downstream side ports blocked
- Compact size

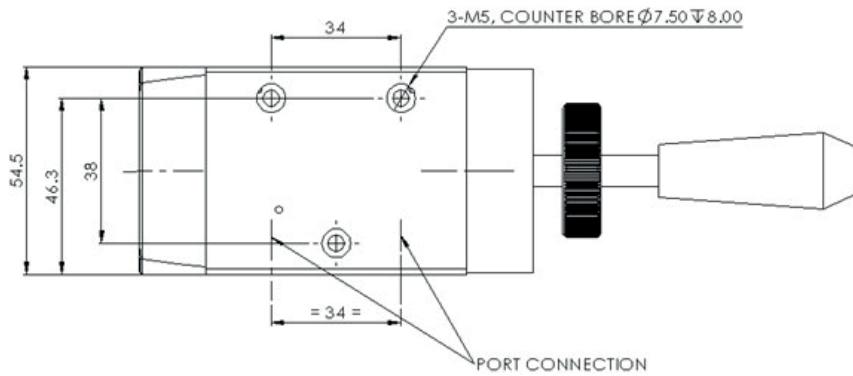
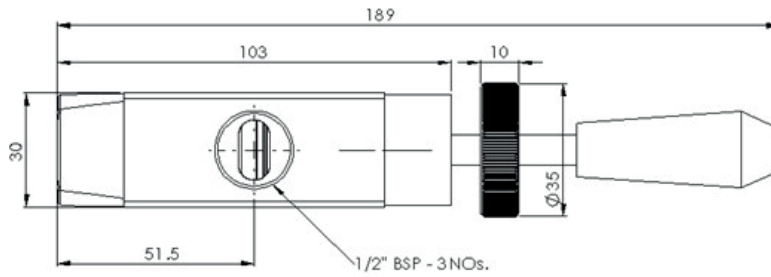
Technical specification

Model	ALRQ-3-2	ALRQ-3-4
Type	3/2 way spool design air lock relay	
Media	Compressed air, 25 µm. Filtered, lubricated or unlubricated	
Mounting	Through holes in housing, also suitable for mounting on manifold	
Operating pressure range	3-10 bar	
Pilot pressure	2-10 bar	
Temperature range (°C)	-10 to 70	
Valve body MOC	Aluminium / Brass / SS 316/SS 304	
Seals MOC	NBR	

Dimensional drawings with symbol



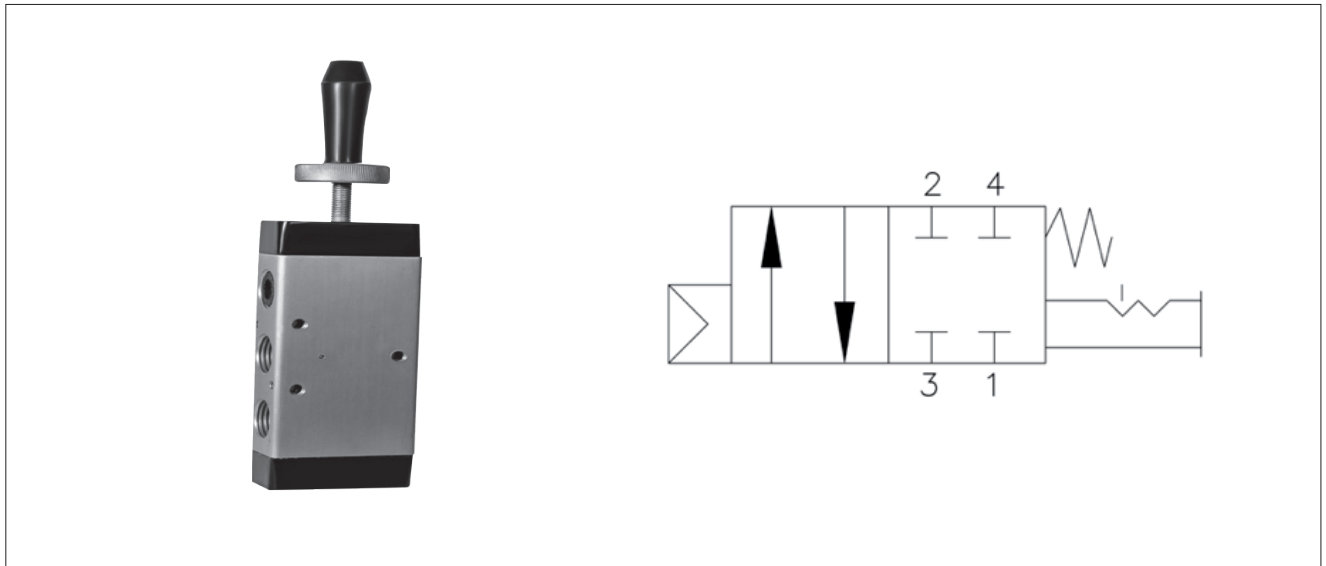
ALRQ3-2



ALRQ3-4

5/2 Way air operated valve with manual override

Model no. ALRQ-5



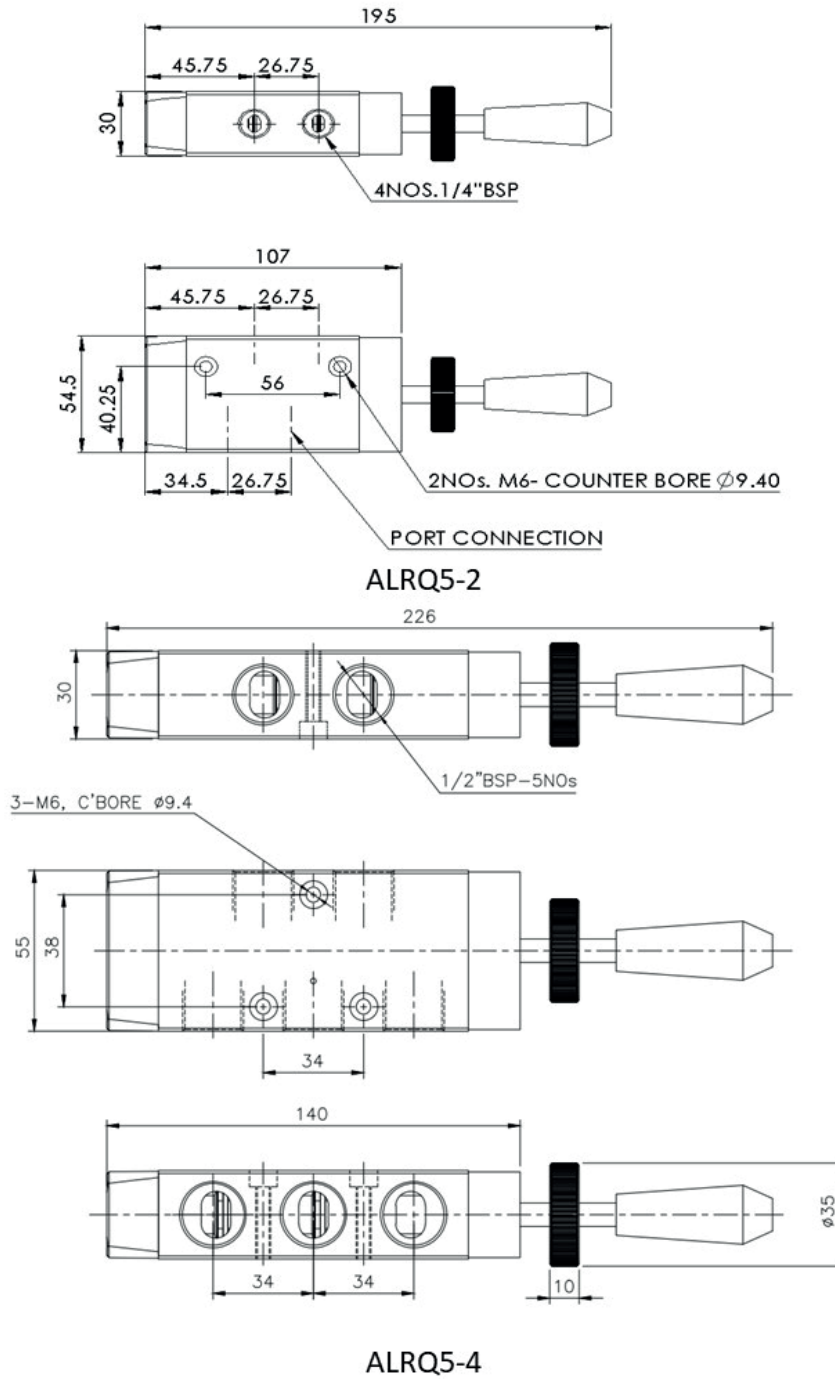
Features

- Lock in place function in case air supply failure
- Trip pressure 2,5 bar (not adjustable, factory set)
- Manual override for actuator pneumatic lock out
- 3 and 4 way versions available where downstream side ports blocked
- Compact size

Technical specification

Model	ALRQ-5-2	ALRQ-5-4
Type	5/2 way spool design air lock relay	
Media	Compressed air, 25 µm. Filtered, lubricated or unlubricated	
Mounting	Through holes in housing, also suitable for mounting on manifold	
Operating pressure range	3-10 bar	
Pilot pressure	2-10 bar	
Temperature range (°C)	-10 to 70	
Valve body MOC	Aluminium / Brass / SS 316/SS 304	
Seals MOC	NBR	

Dimensional drawings with symbol



How to order

1	2	3	4	5	6
ALRQ	3	2	G	0	0

1	Principle
ALRQ	Pneumatics lock relays

4	Port thread type
G	BSP
R	NPT

2	Action
3	3/2 way
5	5/2 way

5	Body material
0	Aluminium
1	SS316

3	Port size
2	1/4"
3	3/8"
4	1/2"

6	Seal Material
0	NBR
1	VITON

ORDERING EXAMPLE:

1. ALRQ-3-2-G-0-0. This is a 3/2 position Pneumatics lock relay valve with port size of 1/4" BSP Aluminium body along with NBR as a seal material.

Valmet Flow Control Private Limited

Plot no:560 Manpada Road
Dombivli East, Maharashtra 421204
www.valmet.com/flowcontrol

Subject to change without prior notice.

Neles, Neles Easyflow, Jamesbury, Stonel, Valvcon and Flowrox, and certain other trademarks, are either registered trademarks or trademarks of Valmet Oyj or its subsidiaries in the United States and/or in other countries.

