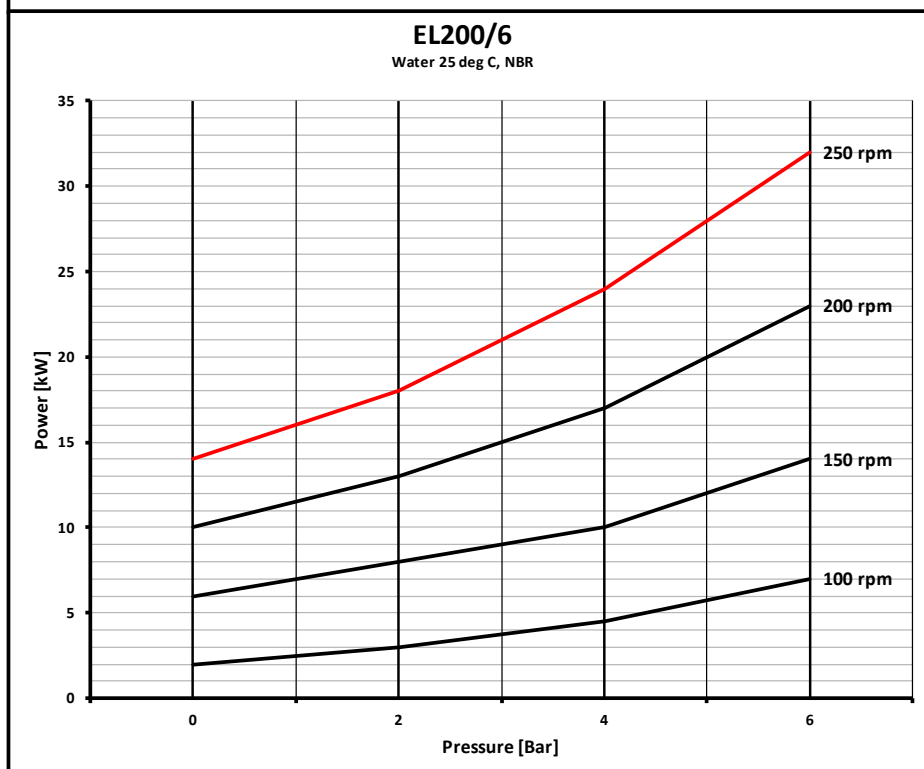
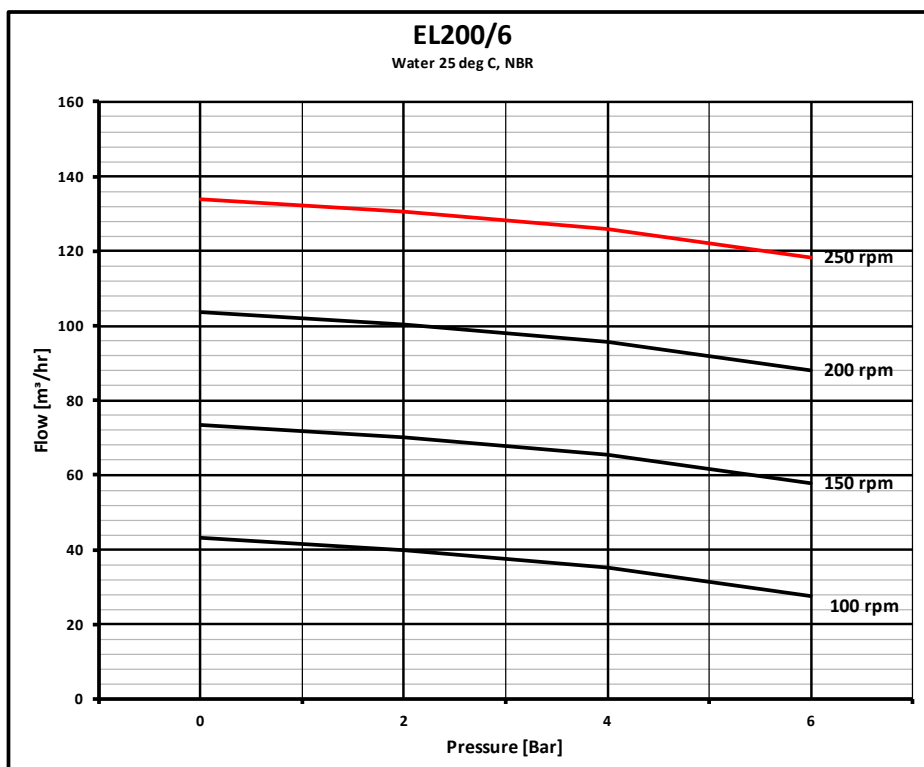




PC Pump EL200/6



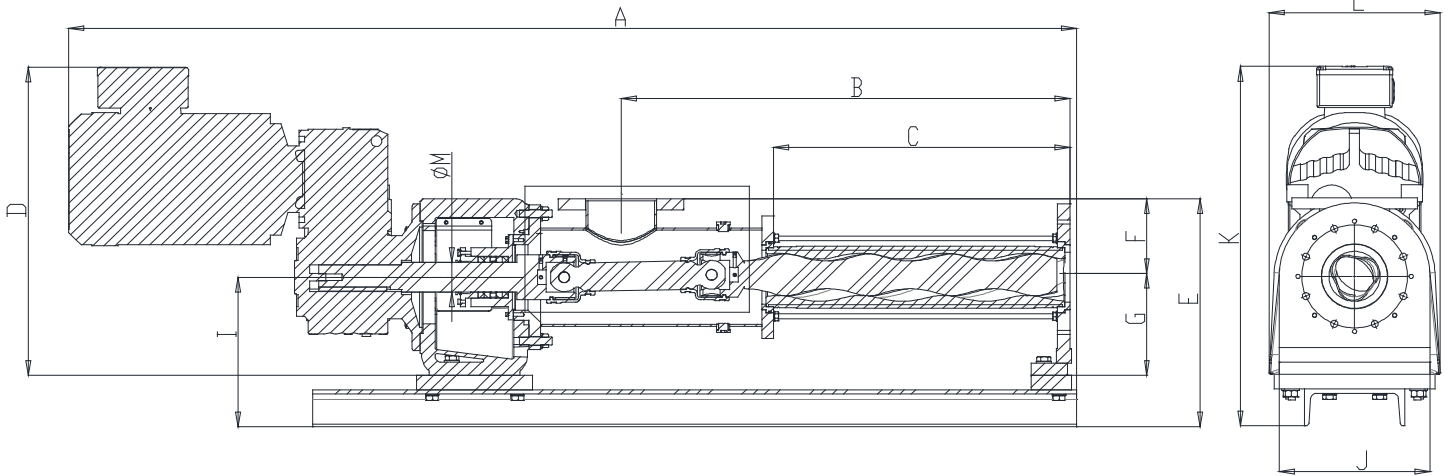
TECHNICAL DATA

- Maximum flow: 133,9 m³/h
- Nominal flow: 100,4 m³/h
- Maximum pressure: 6 bar
- Temperature up to 70 °C
- Weight: 1120 kg
- Max motor power: 30 kW
- Flange connection size: DN200
- Flange drilling: DIN PN10 or ANSI150
- Can be installed without base plate
- No dry running
- NPSH tba

MAIN DIMENSIONS

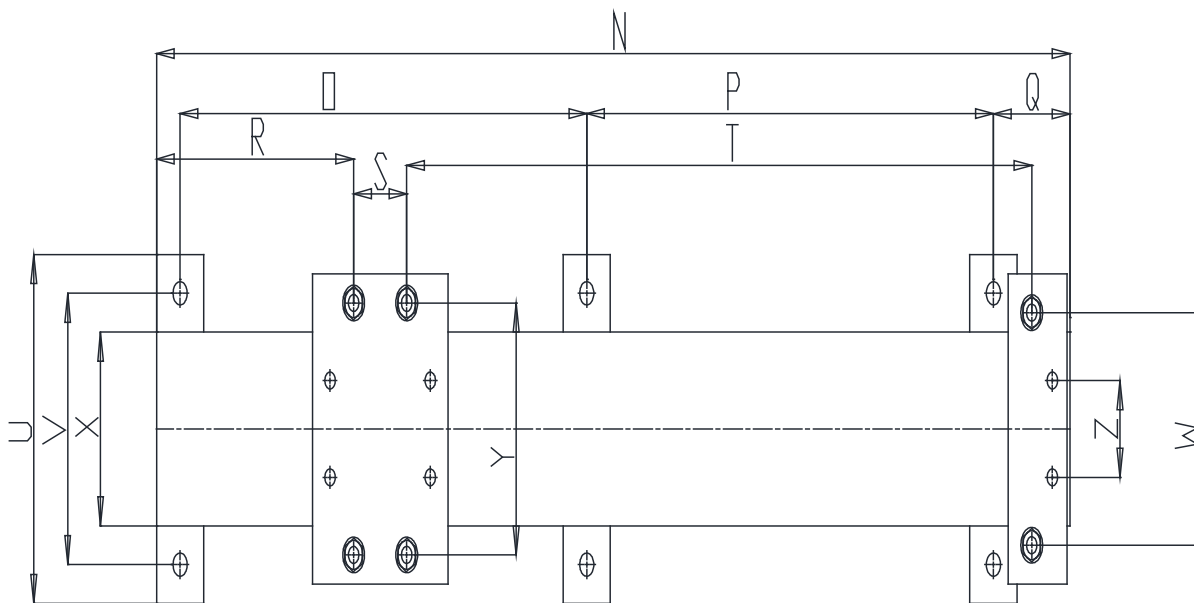
Model	A	B	C	D	E	F	G	I	J	K	L	M	Weight (kg)
EL200/10	2636	1174	796	883	667	207	315	460	350	1029	555	90	1121

Dimensions are in mm.



OPTIONAL BASE PLATE:

Model	N	O	P	Q	R	S	T	U	V	W	X	W	X
EL100/10	2030	900	900	170	384	120	1387	500	400	290	280	300	120



PRODUCT SPECIFICATION

Body	Suction Pipe	Rotor	Rotor coatings	Stator	Drive	Seal types
Cast iron	<ul style="list-style-type: none"> Carbon steel Carbon steel with maintenance hatch Stainless steel with maintenance hatch 	<ul style="list-style-type: none"> Carbon steel Stainless steel 	<ul style="list-style-type: none"> Black nitrated Hard chromium Tungsten carbide 	<ul style="list-style-type: none"> NBR EPDM Viton 	Gear motor drive	<ul style="list-style-type: none"> Single Mechanical Shaft Seal Double Mechanical Shaft Seal Gland Packing

Information without engagement. All rights to changes without prior notice reserved.



Neles Finland Oy
 P.O. Box 26
 FI-53101 Lappeenranta, Finland
 Tel. +358 (0)10 417 5000

www.flowrox.com
 info@flowrox.com

