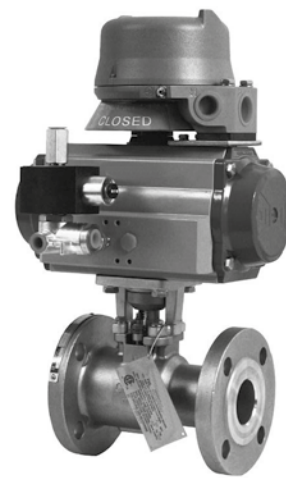


Jamesbury™ Figure 1057 - CSA approved, automatic safety shut-off and vent valves for gas appliances

The Jamesbury Figure 1057 Automatic Safety Shut Off valves are CSA (Canadian Standards Association) approved to meet American National Standards Institute and CSA International Standards Specification Z21.21/ CSA 6.5 Automated Valves For Gas Appliances and CGA3.9-M94 Automated Safety Shut Off Gas Valves for providing protection against hazards during operation of fuel systems or fuel burning equipment. The valves will operate quickly to isolate or vent upon loss of electrical signal, and operate to isolate or vent if the instrument air pressure is lost.



The importance of certified performance

Obtaining certification only achievable through rigorous testing is not only a matter of meeting industry standards and regulations, but also an assurance of quality and reliability. Valmet offers unparalleled performance with its offering of certified Jamesbury safety shut-off and vent valves for burner management systems.

150 and ASME 300 flanged design in 1/2" - 6" (15-150) full bore construction. The threaded ASME and flanged valves offering can also be supplied with a PED (Pressure Equipment Directive) certification. Valves are offered in Carbon Steel (WCB) and 316SS (CF8M) bodies. Trim material is 316SS as standard.

Our promise of quality and reliability

Valmet certified Jamesbury CSA approved packages offer innovation through patented seat and seal designs, Xtreme™ seat material, pneumatic actuator limit switch and solenoid performance to maximize plant uptime.

Single source responsibility

All components of the Valmet Figure 1057 packages, excluding pneumatic solenoid, are Valmet designed and engineered products. This insures reliable, safe and worry free operation of the safety shutoff and vent valves through many years of service.

Approved valve models

Valves are available with threaded ends to ASME 800 in sizes 1/4" - 2" (8-50), ASME 150 and ASME 300 flanged design in sizes 1/2" - 8" (15-200) reduced bore and ASME

Size	Model	Code	End Connection
1/4" - 2" (8-50)	Eliminator	9FA/9FM	ASME 600 Reduced Port, Threaded End
1/2" - 2" (15-50)	4000 Series	4AB/4AM	ASME 800 Reduced Port, Threaded End
1/2" - 1-1/2" (15-40)	4000 Series	4BB/4BM	ASME 800 Full Port, Threaded End
1/2" - 8" (15-200)	7000 Series	7150/7180	ASME 150 Reduced Port, Flanged
1/2" - 8" (15-200)	7000 Series	730S/738S	ASME 300 Reduced Port, Flanged (Short Pattern)
1/2" - 8" (15-200)	7000 Series	7300/7380	ASME 300 Reduced Port, Flanged
1/2" - 6" (15-150)	9000 Series	9150/9180	ASME 150 Full Port, Flanged
1/2" - 6" (15-150)	9000 Series	9300/9380	ASME 300 Full Port, Flanged

Valve design features and benefits

Polymeric flexible lip, self relieving seat design offers tight shut-off to API 598, better than ANSI / FCI 70-2 Class VI, in either direction and extended cycle life with a minimum of maintenance. Providing tightest shutoff available.

Xtreme seat material, developed in the Valmet Polymer Research Laboratory, provides longer life and industry leading expanded performance. This equals a lower cost of ownership.

API standards for 'Process Valves' require adjustable packing. Valmet's independently adjustable stem sealing, including 2" and smaller patented design, provides a life cycle that complements the enhanced performance of the seat technology; lowers the risk of fugitive emissions.

Approved actuator models

Jamesbury Figure 1057 assemblies are available with a choice of two actuator types. The Quadra-Powr™ X spring and diaphragm pneumatic actuator rated for 60 psi/4.1 bar minimum air supply or the Valv-Powr™ VPVL rack and pinion pneumatic actuator rated for 60 psi/4.1 bar minimum air supply. The exception is the use of the B Series piston style actuator that is used with 8" 7000/6" 9000 Series valves rated to -60 F (-51 C). Assemblies approved for 40 PSI minimum air supply are available.

Note* Operating FM package with a actuator air supply greater than the listed minimum air supply pressure can have an adverse effect on operating speeds. This is especially true in the optional fast closing assemblies.

Quadra-Powr X actuator features

Rolling diaphragm design, along with a one piece UHMW Polyethylene guide bearing insures a long cycle life, smooth operation and low friction.

Acetal-lined stainless steel backed bearing offer a low coefficient of friction that allows virtually all of the available torque to be delivered directly to the output shaft.

Zinc phosphate epoxy based primer coat and UV resistant polyurethane top coat provide durability and protection in corrosive atmospheres.

Valv-powr actuator features

Bearings on all rotating and moving parts to insure a long cycle life.

Dual piston rack-and-pinion mechanism for simple construction, high cycle life and constant torque output.

Hard-anodized PTFE-coated extruded aluminum body with honed internal surfaces for strength and lowercoefficient of friction.

Mechanically multi-guided aluminum pistons for precise movement, low friction and high cycle life.

Machined teeth on piston racks and pinions for excellent rack and pinion engagement and maximum efficiently.

B Series actuator features

High quality bearings provide support on the upper and lower portions of the lever arm to reduce friction and expand the life of both the lever arm and the housing. The epoxy painted actuators have housings of rugged cast iron, with light-weight aluminum cylinders anodized for added corrosion resistance. Travel stops are stainless steel.

The springs in the B1J actuator are contained in a cartridge for added reliability and easy maintenance.

Solenoid pilot valves

Valmet has tested and qualified all of the approved solenoid models to insure the reliability and quality to maximize cycle life.

Flow capacity of the solenoid is sufficient to provide standard valve closing within 2 seconds.

Standard coils are continuous duty molded Class F.

Stonel™ limit switches

Housing assemblies are FM approved to NEMA 4, 4X and 6; Class I, Div. 1, Groups B, C & D; Class II, Div. 1, Groups E, F & G for watertight and explosive proof hazardous location service.

Limit switches are actuated directly from the valve/actuator drive train, reliably giving a true valve position signal.

Switched designated as "supervisory" are set so that are activated only when the valve is in the fail position. The "supervisory" switch(es) marked so as to indicate the, as assembled, position. Switches indicated as "free" are not marked and can be adjusted. These are normally set to be activated when the actuator is energized.

Maximum operating pressure ratings

Valve Size		Valve Material	Seat Material	Maximum Operating Pressure		Maximum Ambient Temperature*		Minimum Ambient Temperature**		Maximum Media Temperature			
Inches	DN			psi	bar	°F	°C	°F	°C	°F	°C		
1/4 - 8	8 - 200	Carbon Steel	XTREME	200	14	125	52	-20	-29	300	149		
			PTFE										
		Stainless Steel	XTREME									-40	-40
			PTFE										

* Selection with standard solenoid option. High temperature solenoid increases maximum ambient temperature to 140°F (60°C).

** Minimum ambient temperature varies by actuator model.

Flow data

The tables below provide flow coefficients of Jamesbury Gas Safety Valves covered in this bulletin. The C_v values represent the flow of water at +60°F through the valve in U.S. gallons per minute at a pressure drop of 1 psi. The metric equivalent, K_v , is the flow of water at 16°C through the valve in M³/hr at a pressure drop of 1 kg/cm². To convert C_v to K_v , multiply by 0.8569.

Series 4000			
Valve Size		Standard Port	Full Port
Inches	DN	C_v	C_v
1/2	15	13	13
3/4	20	33	40
1	25	44	65
1-1/4	32	46	90
1-1/2	40	95	135
2	50	111	-

Full Port Flanged Valves		
Valve Size		C_v
Inches	DN	
1/2	15	9
3/4	20	50
1	25	100
1-1/2	40	270
2	50	490
3	80	1160
4	100	2200
6	150	5100

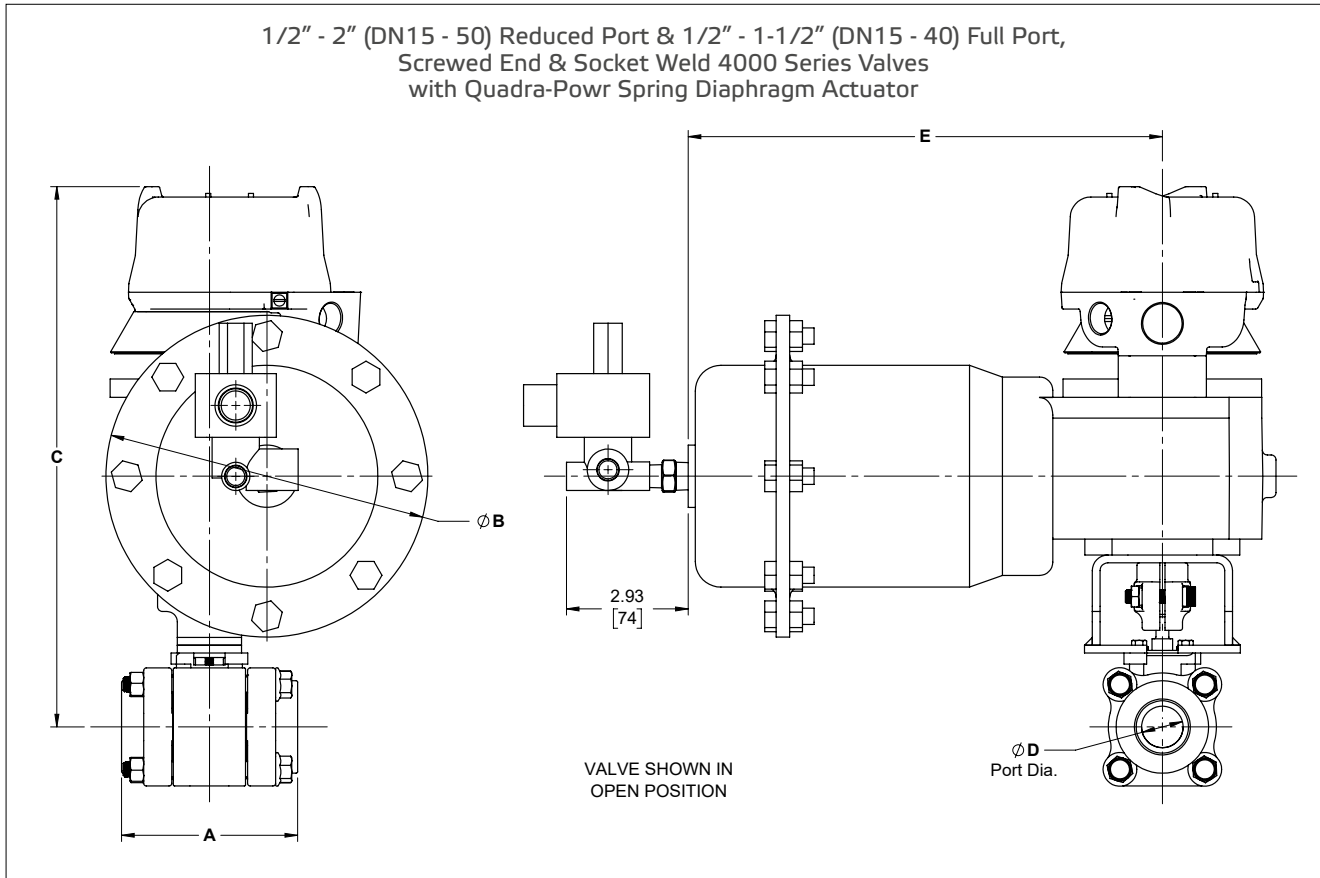
Standard Port Flanged Valves		
Valve Size		C_v
Inches	DN	
1/2	15	9
3/4	20	19
1	25	45
1-1/2	40	125
2	50	165
3	80	350
4	100	550
6	150	765
8	200	1890

Eliminator		
Valve Size		C_v
Inches	DN	
1/4	8	6
3/8	10	10
1/2	15	13
3/4	20	33
1	25	44
1-1/4	32	46
1-1/2	40	95
2	50	111

Dimensional data

The following dimensional data is nominal values using a standard solenoid, standard actuators sized for 60psi and a tall Quartz™ switch.

Dimensions



4000 Reduced Port, Screwed End & Socket Weld with QPX Actuator - inches							
Valve Size (inches)	A (Socket & NPT)	B	C**	D	E	Weight (lbs)	Actuator
1/2	2.59	7.75	12.41	0.50	14.17	74	QPX1C/MC
3/4	3.01	7.75	12.57	0.69	14.17	75	QPX1C/MC
1	3.69	7.75	13.06	0.88	14.17	77	QPX1C/MC
1-1/4	4.22	7.75	13.19	1.00	14.17	79	QPX1C/MC
1-1/2	4.58	7.75	13.49	1.25	14.17	83	QPX1C/MC
2	5.11	7.75	13.82	1.50	14.17	86	QPX1C/MC

**= Add 2.12" for QX4V Limit Switch Models

4000 Reduced Port, Screwed End & Socket Weld with QPX Actuator - millimeters							
Valve Size (DN)	A (Socket & NPT)	B	C**	D	E	Weight (kg)	Actuator
15	66		315	13	360	34	QPX1C/MC
20	76	197	319	18	360	34	QPX1C/MC
25	94	197	332	22	360	35	QPX1C/MC
32	107	197	335	25	360	36	QPX1C/MC
40	116	197	343	32	360	38	QPX1C/MC
50	130	197	351	38	360	39	QPX1C/MC

**= Add 54mm for QX4V Limit Switch Models

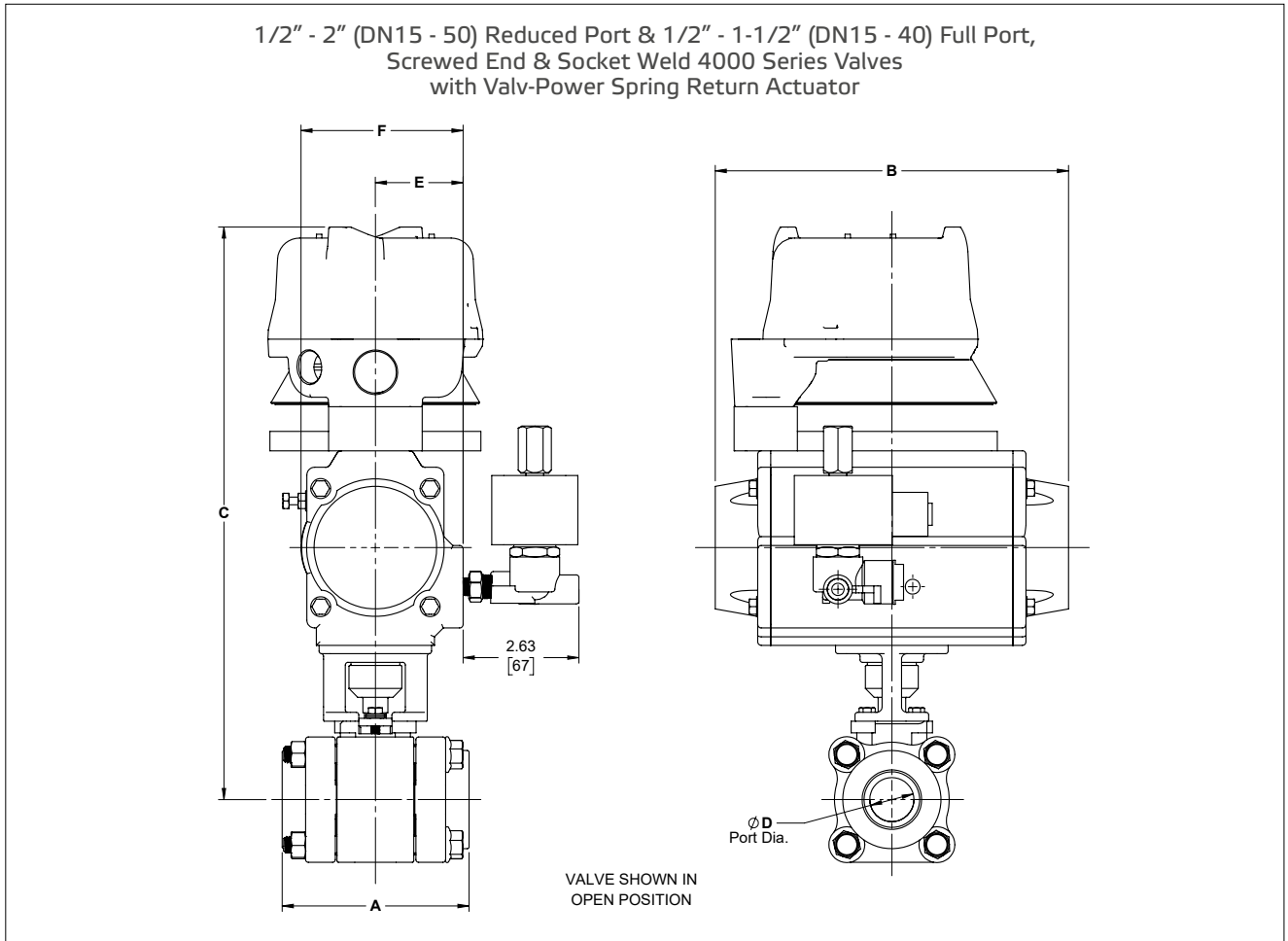
4000 Full Port, Screwed End & Socket Weld with QPX Actuator Rating - inches							
Valve Size (inches)	A (Socket & NPT)	B	C**	D	E	Weight (lbs)	Actuator
1/2	2.59	7.75	12.41	0.50	14.17	74	QPX1C/MC
3/4	3.69	7.75	13.06	0.88	14.17	78	QPX1C/MC
1	4.22	7.75	13.19	1.00	14.17	80	QPX1C/MC
1-1/4	4.58	7.75	13.64	1.25	14.17	84	QPX1C/MC
1-1/2	5.11	7.75	13.82	1.50	14.17	87	QPX1C/MC

**= Add 2.12" for QX4V Limit Switch Models

4000 Full Port, Screwed End & Socket Weld with QPX Actuator Rating - inches							
Valve Size (DN)	A (Socket & NPT)	B	C**	D	E	Weight (kg)	Actuator
15	66	197	315	13	360	34	QPX1C/MC
20	94	197	332	22	360	35	QPX1C/MC
25	107	197	335	25	360	36	QPX1C/MC
32	116	197	346	32	360	38	QPX1C/MC
40	130	197	351	38	360	40	QPX1C/MC

**= Add 54mm for QX4V Limit Switch Models

Dimensions



4000 Reduced Port, Screwed End & Socket Weld with VPVL Actuator - inches								
Valve Size (inches)	A (Socket & NPT)	B	C**	D	E	F	Weight (lbs)	Actuator
1/2	2.59	6.04	10.94	0.50	1.91	3.33	49	VPVL100SR4/5LX
3/4	3.01	6.04	11.10	0.69	1.91	3.33	50	VPVL100SR4/5LX
1	3.69	8.01	12.64	0.88	1.99	3.66	56	VPVL200SR4/5LX
1-1/4	4.22	8.01	12.77	1.00	1.99	3.66	57	VPVL200SR4/5LX
1-1/2	4.58	9.49	13.86	1.25	2.22	4.17	65	VPVL250SR4/5LX
2	5.11	10.20	14.51	1.50	2.48	4.67	72	VPVL300SR4/5LX

**= Add 2.12" for QX4V Limit Switch Models

4000 Reduced Port, Screwed End & Socket Weld with VPVL Actuator - millimeters								
Valve Size (DN)	A (Socket & NPT)	B	C**	D	E	F	Weight (kg)	Actuator
15	66	153	278	13	48	85	22	VPVL100SR4/5LX
20	76	153	282	18	48	85	23	VPVL100SR4/5LX
25	94	203	321	22	50	93	25	VPVL200SR4/5LX
32	107	203	324	25	50	93	26	VPVL200SR4/5LX
40	116	241	352	32	56	106	29	VPVL250SR4/5LX
50	130	259	369	38	63	119	33	VPVL300SR4/5LX

**= Add 54mm for QX4V Limit Switch Models

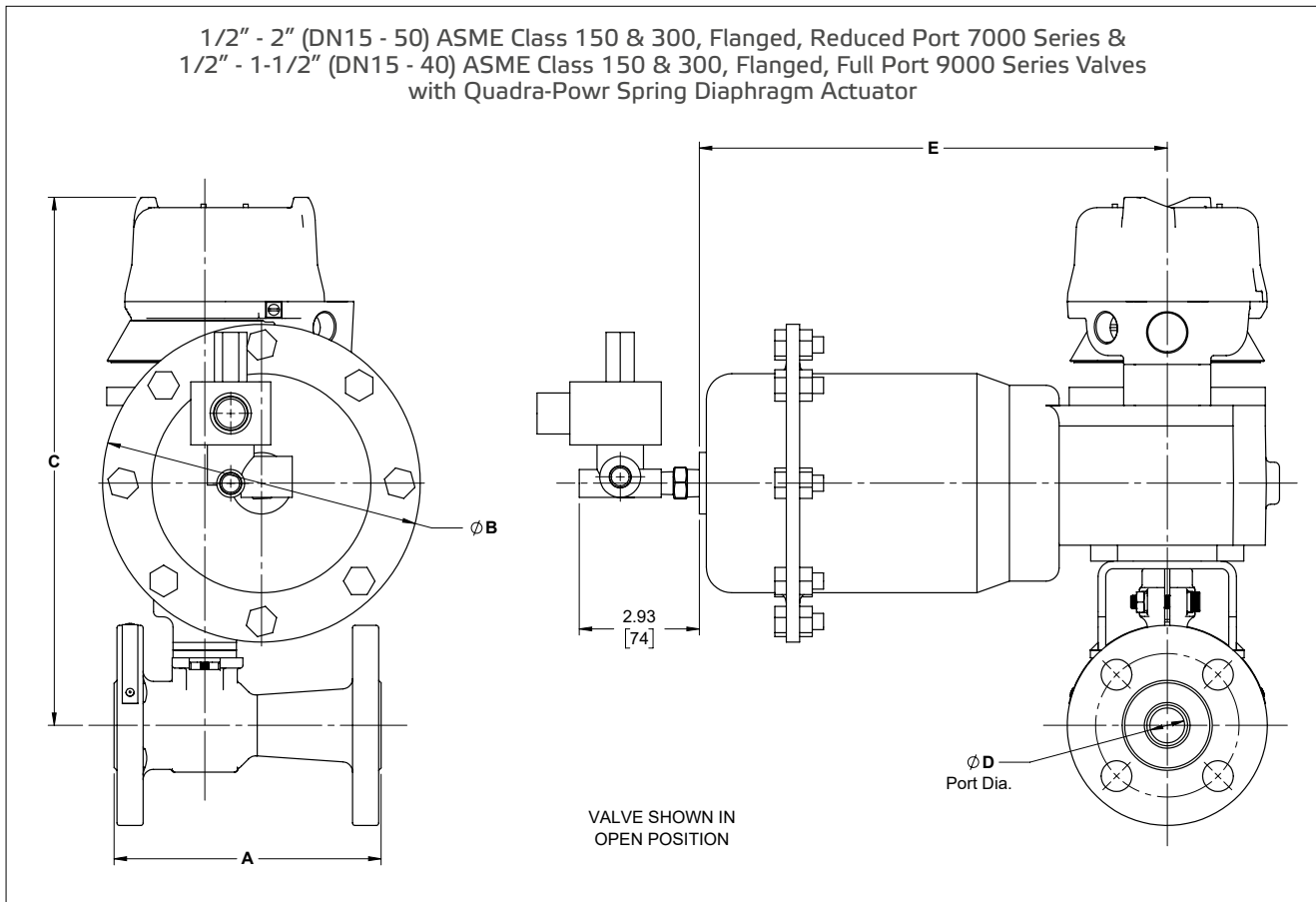
4000 Full Port, Screwed End & Socket Weld with VPVL Actuator Rating - inches								
Valve Size (inches)	A (Socket & NPT)	B	C**	D	E	F	Weight (lbs)	Actuator
1/2	2.59	6.04	10.94	0.50	1.91	3.33	49	VPVL100SR4/5LX
3/4	3.69	8.01	12.64	0.88	1.99	3.66	56	VPVL200SR4/5LX
1	4.22	8.01	12.77	0.88	1.99	3.66	58	VPVL200SR4/5LX
1-1/4	4.58	9.49	13.86	1.25	2.22	4.17	65	VPVL250SR4/5LX
1-1/2	5.11	10.20	14.51	1.50	2.48	4.67	73	VPVL300SR4/5LX

**= Add 2.12" for QX4V Limit Switch Models

4000 Full Port, Screwed End & Socket Weld with VPVL Actuator Rating - inches								
Valve Size (DN)	A (Socket & NPT)	B	C**	D	E	F	Weight (kg)	Actuator
15	66	153	278	13	48	85	22	VPVL100SR4/5LX
20	94	203	321	22	50	93	25	VPVL200SR4/5LX
25	107	203	324	22	50	93	26	VPVL200SR4/5LX
32	116	241	352	32	56	106	30	VPVL250SR4/5LX
40	130	259	369	38	63	119	33	VPVL300SR4/5LX

**= Add 54mm for QX4V Limit Switch Models

Dimensions



7000 Series, ASME Class 150, Flanged, Reduced Port with QPX Actuator - inches							
Valve Size (inches)	A	B	C**	D	E	Weight (lbs)	Actuator
1/2	4.25	7.75	12.41	0.50	14.17	76	QPX1C/MC
3/4	4.63	7.75	12.57	0.69	14.17	77	QPX1C/MC
1	5.00	7.75	13.06	0.88	14.17	80	QPX1C/MC
1-1/2	6.50	7.75	13.64	1.25	14.17	85	QPX1C/MC
2	7.00	7.75	13.82	1.50	14.17	90	QPX1C/MC

**= Add 2.12" for QX4V Limit Switch Models

7000 Series, ASME Class 150, Flanged, Reduced Port with QPX Actuator - millimeters							
Valve Size (DN)	A	B	C**	D	E	Weight (kg)	Actuator
15	108	197	315	13	360	34	QPX1C/MC
20	118	197	319	18	360	35	QPX1C/MC
25	127	197	332	22	360	36	QPX1C/MC
40	165	197	346	32	360	39	QPX1C/MC
50	178	197	351	38	360	41	QPX1C/MC

**= Add 54mm for QX4V Limit Switch Models

7000 Series, ASME Class 300, Flanged, Reduced Port with QPX Actuator - inches							
Valve Size (inches)	A	B	C**	D	E	Weight (lbs)	Actuator
1/2	5.50	7.75	12.41	0.50	14.17	79	QPX1C/MC
3/4	6.00	7.75	12.57	0.69	14.17	81	QPX1C/MC
1	6.50	7.75	13.06	0.88	14.17	83	QPX1C/MC
1-1/2	7.50	7.75	13.64	1.25	14.17	90	QPX1C/MC
2	8.50	7.75	13.82	1.50	14.17	96	QPX1C/MC

**= Add 2.12" for QX4V Limit Switch Models

7000 Series, ASME Class 300, Flanged, Reduced Port with QPX Actuator - millimeters							
Valve Size (DN)	A	B	C**	D	E	Weight (kg)	Actuator
15	140	197	315	13	360	36	QPX1C/MC
20	152	197	319	18	360	37	QPX1C/MC
25	165	197	332	22	360	37	QPX1C/MC
40	191	197	346	32	360	41	QPX1C/MC
50	216	197	351	38	360	44	QPX1C/MC

**= Add 54mm for QX4V Limit Switch Models

7000 Series, ASME Class 300 (Short Pattern), Flanged, Reduced Port with QPX Actuator - inches							
Valve Size (inches)	A	B	C**	D	E	Weight (lbs)	Actuator
1/2	4.25	7.75	12.41	0.50	14.17	78	QPX1C/MC
3/4	4.63	7.75	12.57	0.69	14.17	81	QPX1C/MC
1	5.00	7.75	13.06	0.88	14.17	83	QPX1C/MC
1-1/2	6.50	7.75	13.64	1.25	14.17	91	QPX1C/MC
2	7.00	7.75	13.82	1.50	14.17	95	QPX1C/MC

**= Add 2.12" for QX4V Limit Switch Models

7000 Series, ASME Class 300 (Short Pattern), Flanged, Reduced Port with QPX Actuator - millimeters							
Valve Size (DN)	A	B	C**	D	E	Weight (kg)	Actuator
15	108	197	315	13	360	35	QPX1C/MC
20	118	197	319	18	360	37	QPX1C/MC
25	127	197	332	22	360	37	QPX1C/MC
40	165	197	346	32	360	41	QPX1C/MC
50	178	197	351	38	360	43	QPX1C/MC

**= Add 54mm for QX4V Limit Switch Models

9000 Series, ASME Class 150, Flanged, Full Port with QPX Actuator - inches							
Valve Size (inches)	A	B	C**	D	E	Weight (lbs)	Actuator
1/2	4.25	7.75	12.41	0.50	14.17	76	QPX1C/MC
3/4	4.63	7.75	13.06	0.88	14.17	83	QPX1C/MC
1	5.00	7.75	13.19	1.00	14.17	86	QPX1C/MC
1-1/2	6.50	7.75	13.82	1.50	14.17	91	QPX1C/MC

**= Add 2.12" for QX4V Limit Switch Models

9000 Series, ASME Class 150, Flanged, Full Port with QPX Actuator - millimeters							
Valve Size (DN)	A	B	C**	D	E	Weight (kg)	Actuator
15	108	197	315	13	360	34	QPX1C/MC
20	118	197	332	22	360	38	QPX1C/MC
25	127	197	335	25	360	39	QPX1C/MC
40	165	197	351	38	360	41	QPX1C/MC

**= Add 54mm for QX4V Limit Switch Models

9000 Series, ASME Class 300, Flanged, Full Port with QPX Actuator - inches							
Valve Size (inches)	A	B	C**	D	E	Weight (lbs)	Actuator
1/2	5.50	7.75	12.41	0.50	14.17	79	QPX1C/MC
3/4	6.00	7.75	13.06	0.88	14.17	86	QPX1C/MC
1	6.50	7.75	13.19	1.00	14.17	91	QPX1C/MC
1-1/2	7.50	7.75	13.82	1.50	14.17	96	QPX1C/MC

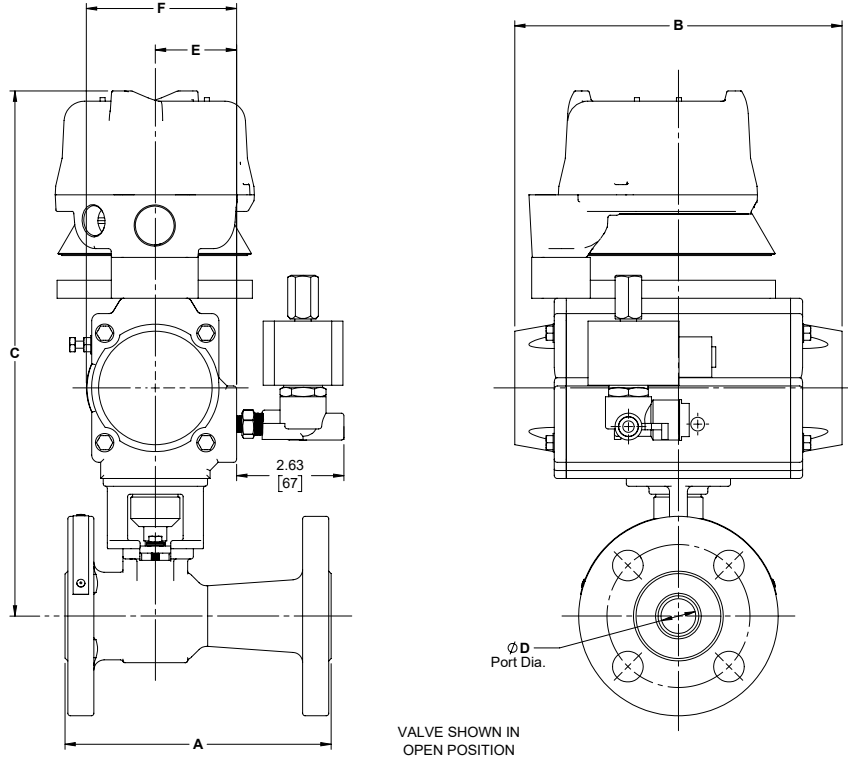
**= Add 2.12" for QX4V Limit Switch Models

9000 Series, ASME Class 300, Flanged, Full Port with QPX Actuator - millimeters							
Valve Size (DN)	A	B	C**	D	E	Weight (kg)	Actuator
15	140	197	315	13	360	36	QPX1C/MC
20	152	197	332	22	360	39	QPX1C/MC
25	165	197	335	25	360	41	QPX1C/MC
40	191	197	351	38	360	44	QPX1C/MC

**= Add 54mm for QX4V Limit Switch Models

Dimensions

1/2" - 2" (DN15 - 50) ASME Class 150 & 300, Flanged, Reduced Port 7000 Series &
1/2" - 1-1/2" (DN15 - 40) ASME Class 150 & 300, Flanged, Full Port 9000 Series Valves
with Valv-Power Spring Return Actuator



7000 Series, ASME Class 150, Flanged, Reduced Port with VPVL Actuator - inches								
Valve Size (inches)	A	B	C**	D	E	F	Weight (lbs)	Actuator
1/2	4.25	6.04	10.94	0.50	1.91	3.33	51	VPVL100SR4/5LX
3/4	4.63	6.04	11.10	0.69	1.91	3.33	52	VPVL100SR4/5LX
1	5.00	8.01	12.64	0.88	1.99	3.66	59	VPVL200SR4/5LX
1-1/2	6.50	9.49	13.86	1.25	2.22	4.17	67	VPVL250SR4/5LX
2	7.00	10.20	14.51	1.50	2.48	4.67	76	VPVL300SR4/5LX

**= Add 2.12" for QX4V Limit Switch Models

7000 Series, ASME Class 150, Flanged, Reduced Port with VPVL Actuator - millimeters								
Valve Size (DN)	A	B	C**	D	E	F	Weight (kg)	Actuator
15	108	153	278	13	49	85	23	VPVL100SR4/5LX
20	118	153	282	18	49	85	24	VPVL100SR4/5LX
25	127	203	321	22	51	93	27	VPVL200SR4/5LX
40	165	241	352	32	56	106	30	VPVL250SR4/5LX
50	178	259	369	38	63	119	34	VPVL300SR4/5LX

**= Add 54mm for QX4V Limit Switch Models

7000 Series, ASME Class 300, Flanged, Reduced Port with VPVL Actuator - inches								
Valve Size (inches)	A	B	C**	D	E	F	Weight (lbs)	Actuator
1/2	5.50	6.04	10.94	0.50	1.91	3.33	54	VPVL100SR4/5LX
3/4	6.00	6.04	11.10	0.69	1.91	3.33	56	VPVL100SR4/5LX
1	6.50	8.01	12.64	0.88	1.99	3.66	61	VPVL200SR4/5LX
1-1/2	7.50	9.49	13.86	1.25	2.22	4.17	72	VPVL250SR4/5LX
2	8.50	10.20	14.51	1.50	2.48	4.67	82	VPVL300SR4/5LX

**= Add 2.12" for QX4V Limit Switch Models

7000 Series, ASME Class 300, Flanged, Reduced Port with VPVL Actuator - millimeters								
Valve Size (DN)	A	B	C**	D	E	F	Weight (kg)	Actuator
15	140	153	278	13	49	85	24	VPVL100SR4/5LX
20	152	153	282	18	49	85	25	VPVL100SR4/5LX
25	165	203	321	22	51	93	28	VPVL200SR4/5LX
40	191	241	352	32	56	106	33	VPVL250SR4/5LX
50	216	259	369	38	63	119	37	VPVL300SR4/5LX

**= Add 54mm for QX4V Limit Switch Models

7000 Series, ASME Class 300 (Short Pattern), Flanged, Reduced Port with VPVL Actuator - inches								
Valve Size (inches)	A	B	C**	D	E	F	Weight (lbs)	Actuator
1/2	4.25	6.04	10.94	0.50	1.91	3.33	53	VPVL100SR4/5LX
3/4	4.63	6.04	11.10	0.69	1.91	3.33	56	VPVL100SR4/5LX
1	5.00	8.01	12.64	0.88	1.99	3.66	61	VPVL200SR4/5LX
1-1/2	6.50	9.49	13.86	1.25	2.22	4.17	73	VPVL250SR4/5LX
2	7.00	10.20	14.51	1.50	2.48	4.67	81	VPVL300SR4/5LX

**= Add 2.12" for QX4V Limit Switch Models

7000 Series, ASME Class 300 (Short Pattern), Flanged, Reduced Port with VPVL Actuator - millimeters								
Valve Size (DN)	A	B	C**	D	E	F	Weight (kg)	Actuator
15	108	153	278	13	49	85	24	VPVL100SR4/5LX
20	118	153	282	18	49	85	25	VPVL100SR4/5LX
25	127	203	321	22	51	93	28	VPVL200SR4/5LX
40	165	241	352	32	56	106	33	VPVL250SR4/5LX
50	178	259	369	38	63	119	37	VPVL300SR4/5LX

**= Add 54mm for QX4V Limit Switch Models

9000 Series, ASME Class 150, Flanged, Full Port with VPVL Actuator - inches								
Valve Size (inches)	A	B	C**	D	E	F	Weight (lbs)	Actuator
1/2	4.25	6.04	10.94	0.50	1.91	3.33	51	VPVL100SR4/5LX
3/4	4.63	8.01	12.64	0.88	1.99	3.66	61	VPVL200SR4/5LX
1	5.00	8.01	12.77	1.00	1.99	3.66	65	VPVL200SR4/5LX
1-1/2	6.50	10.20	14.51	1.50	2.48	4.67	77	VPVL300SR4/5LX

**= Add 2.12" for QX4V Limit Switch Models

9000 Series, ASME Class 150, Flanged, Full Port with VPVL Actuator - millimeters								
Valve Size (DN)	A	B	C**	D	E	F	Weight (kg)	Actuator
15	108	153	278	13	49	85	23	VPVL100SR4/5LX
20	118	203	321	22	51	93	28	VPVL200SR4/5LX
25	127	203	324	25	51	93	29	VPVL200SR4/5LX
40	165	259	369	38	63	119	35	VPVL300SR4/5LX

**= Add 54mm for QX4V Limit Switch Models

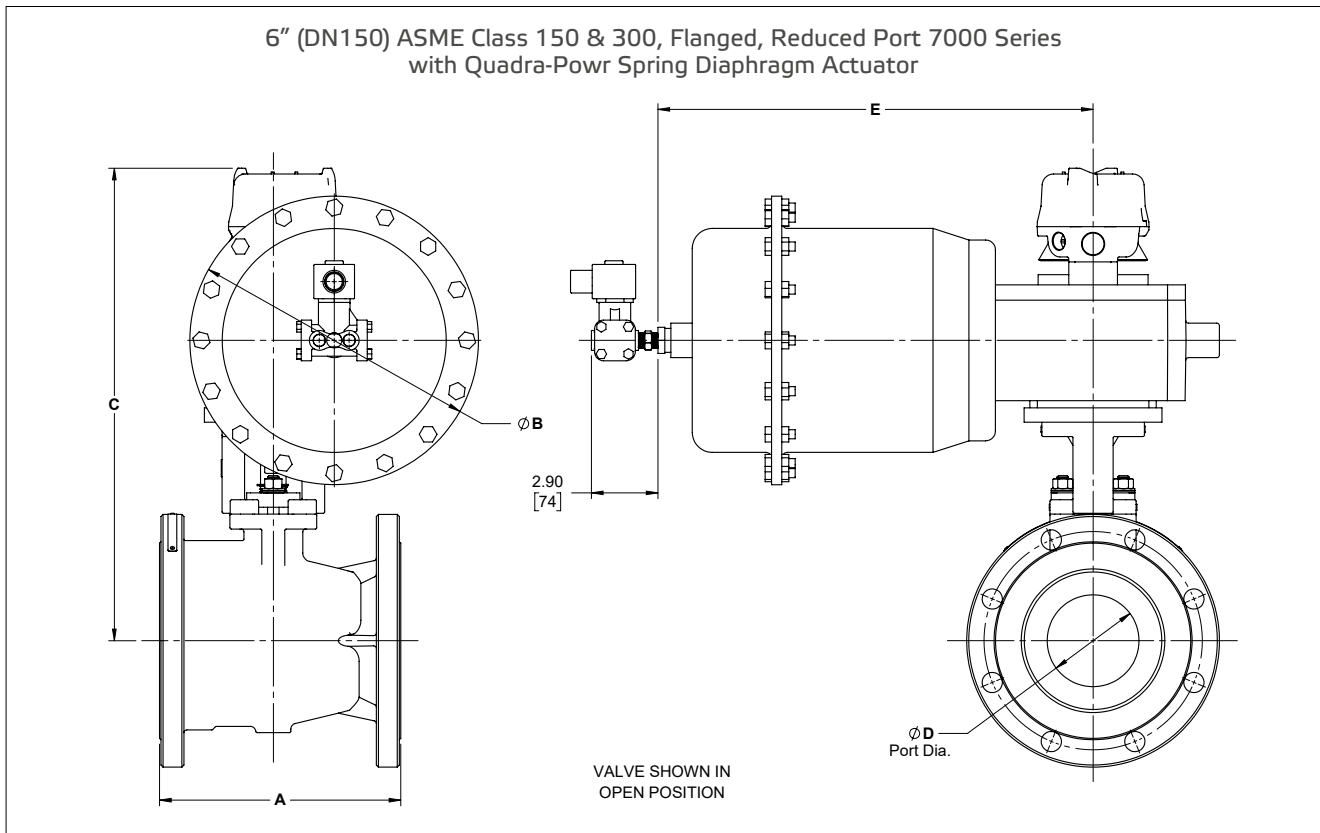
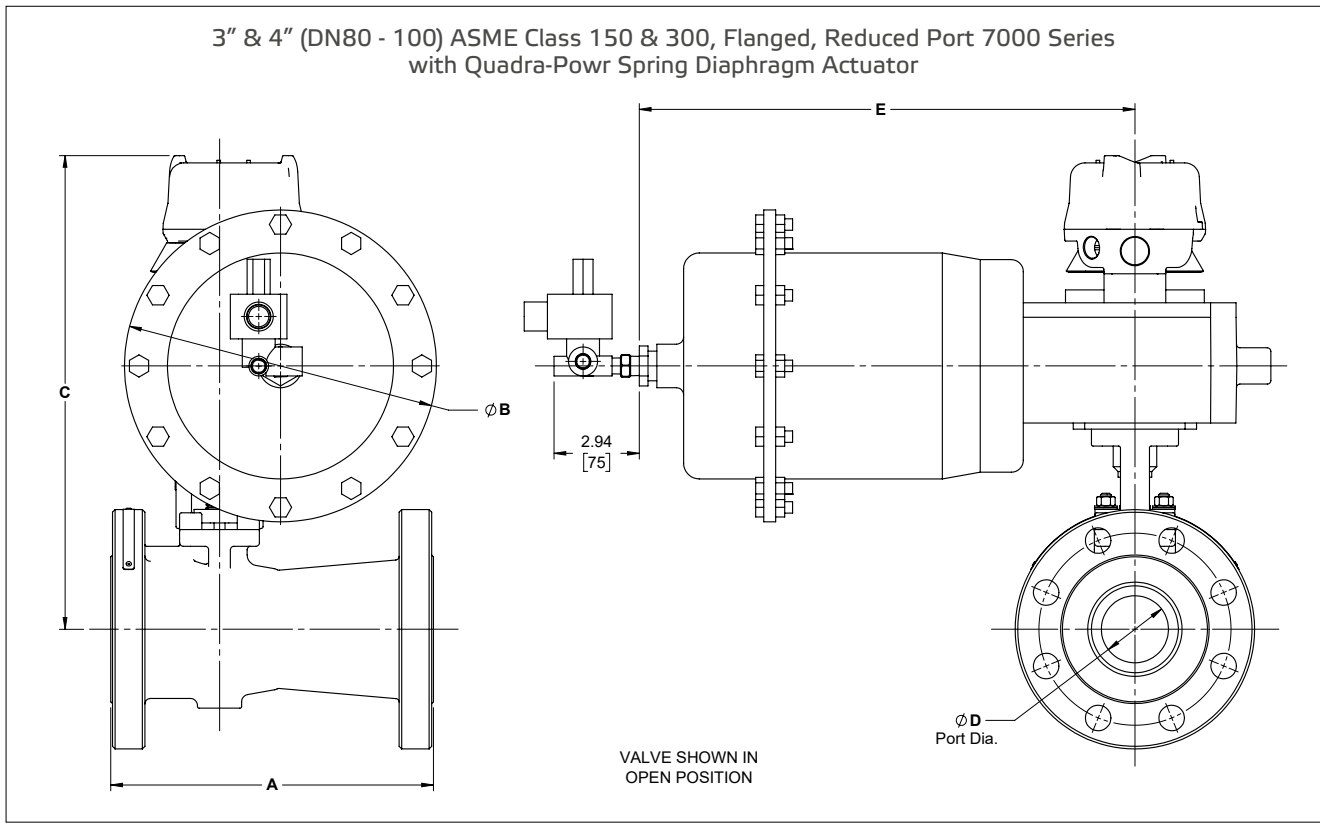
9000 Series, ASME Class 300, Flanged, Full Port with VPVL Actuator - inches								
Valve Size (inches)	A	B	C**	D	E	F	Weight (lbs)	Actuator
1/2	5.50	6.04	10.94	0.50	1.91	3.33	54	VPVL100SR4/5LX
3/4	6.00	8.01	12.64	0.88	1.99	3.66	65	VPVL200SR4/5LX
1	6.50	8.01	12.77	1.00	1.99	3.66	69	VPVL200SR4/5LX
1-1/2	7.50	10.20	14.51	1.50	2.48	4.67	82	VPVL300SR4/5LX

**= Add 2.12" for QX4V Limit Switch Models

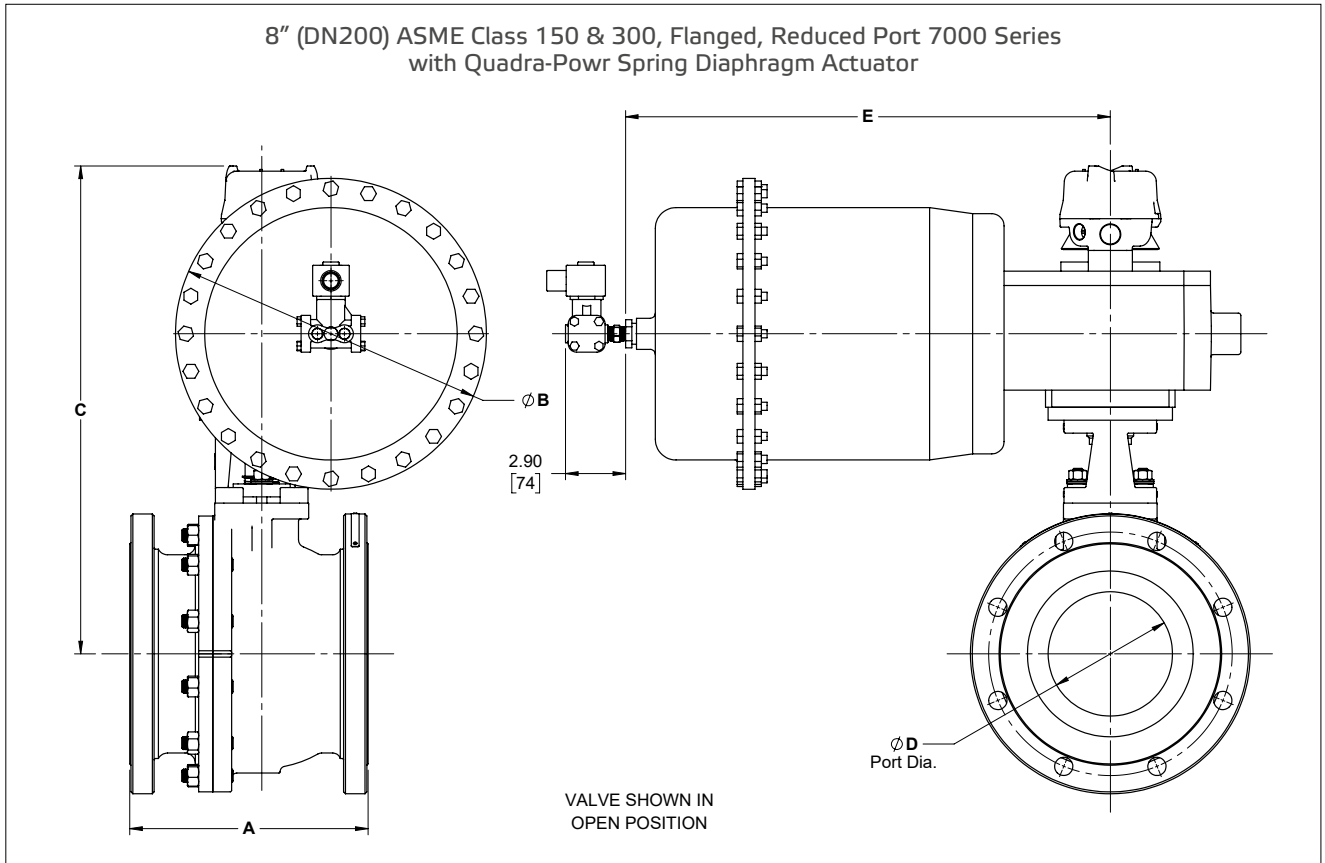
9000 Series, ASME Class 300, Flanged, Full Port with VPVL Actuator - millimeters								
Valve Size (DN)	A	B	C**	D	E	F	Weight (kg)	Actuator
15	140	153	278	13	49	85	24	VPVL100SR4/5LX
20	152	203	321	22	51	93	29	VPVL200SR4/5LX
25	165	203	324	25	51	93	31	VPVL200SR4/5LX
40	191	259	369	38	63	119	37	VPVL300SR4/5LX

**= Add 54mm for QX4V Limit Switch Models

Dimensions



Dimensions



7000 Series, ASME Class 150, Flanged, Reduced Port with QPX Actuator - inches							
Valve Size (inches)	A	B	C**	D	E	Weight (lbs)	Actuator
3	8.00	10.79	16.54	2.31	17.08	159	QPX3C/MC
4	9.00	10.79	17.01	3.00	17.08	186	QPX3C/MC
6	10.50	12.60	20.74	4.00	18.94	311	QPX4C/MC
8	11.50	15.04	27.83	6.00	23.39	591	QPX5C/MC

**= Add 2.12" for QX4V Limit Switch Models

7000 Series, ASME Class 150, Flanged, Reduced Port with QPX Actuator - millimeters							
Valve Size (DN)	A	B	C**	D	E	Weight (kg)	Actuator
80	203	274	420	59	434	72	QPX3C/MC
100	229	274	432	76	434	84	QPX3C/MC
150	267	320	527	102	481	141	QPX4C/MC
200	292	382	707	152	594	268	QPX5C/MC

**= Add 54mm for QX4V Limit Switch Models

7000 Series, ASME Class 300, Flanged, Reduced Port with QPX Actuator - inches							
Valve Size (inches)	A	B	C**	D	E	Weight (lbs)	Actuator
3	11.12	10.79	16.55	2.31	17.08	181	QPX3C/MC
4	12.00	10.79	18.30	3.00	17.08	225	QPX3C/MC
6	15.88	12.60	20.89	4.00	18.94	388	QPX4C/MC
8	19.75	15.04	26.18	6.00	23.39	727	QPX5C/MC

**= Add 2.12" for QX4V Limit Switch Models

7000 Series, ASME Class 300, Flanged, Reduced Port with QPX Actuator - millimeters							
Valve Size (DN)	A	B	C**	D	E	Weight (kg)	Actuator
80	282	274	420	59	434	82	QPX3C/MC
100	305	274	465	76	434	102	QPX3C/MC
150	403	320	531	102	481	176	QPX4C/MC
200	502	382	665	152	594	330	QPX5C/MC

**= Add 54mm for QX4V Limit Switch Models

7000 Series, ASME Class 300 (Short Pattern), Flanged, Reduced Port with QPX Actuator - inches							
Valve Size (inches)	A	B	C**	D	E	Weight (lbs)	Actuator
3	8.00	10.79	16.55	2.31	17.08	174	QPX3C/MC
4	9.00	10.79	18.30	3.00	17.08	215	QPX3C/MC
6	10.50	12.60	20.89	4.00	18.94	351	QPX4C/MC
8	11.50	15.04	26.18	6.00	23.39	626	QPX5C/MC

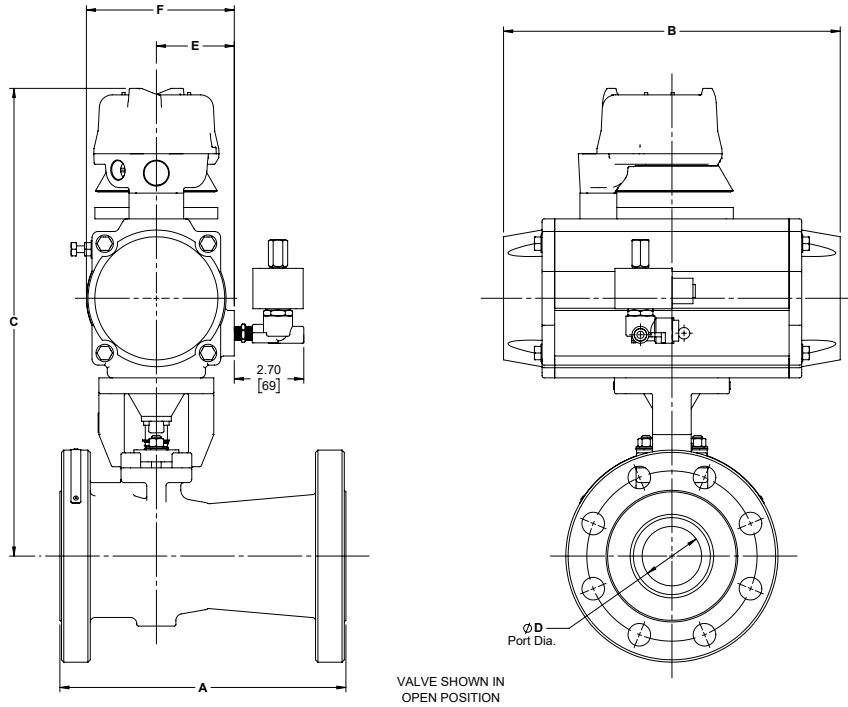
**= Add 2.12" for QX4V Limit Switch Models

7000 Series, ASME Class 300 (Short Pattern), Flanged, Reduced Port with QPX Actuator - millimeters							
Valve Size (DN)	A	B	C**	D	E	Weight (kg)	Actuator
80	203	274	420	59	434	79	QPX3C/MC
100	229	274	465	76	434	97	QPX3C/MC
150	267	320	531	102	481	159	QPX4C/MC
200	292	382	665	152	594	284	QPX5C/MC

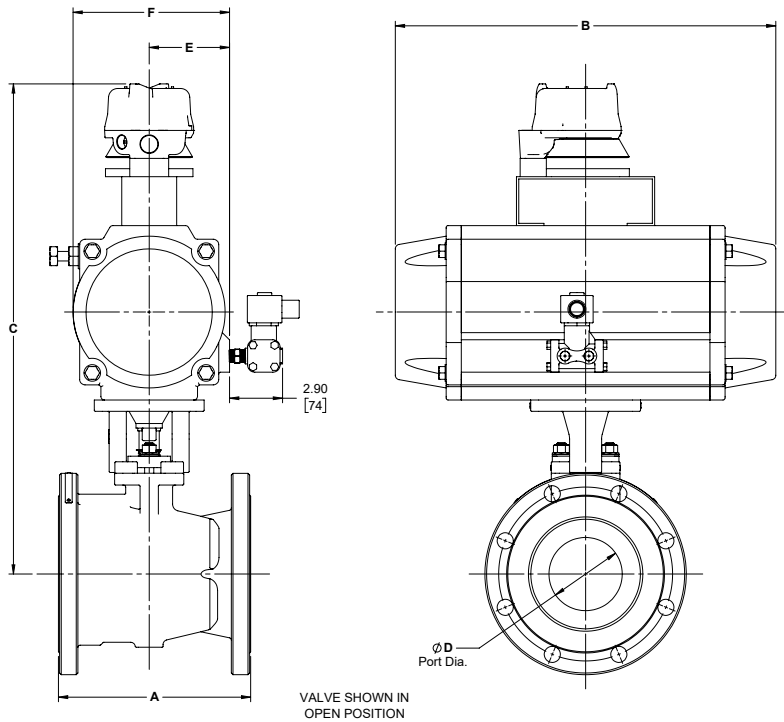
**= Add 54mm for QX4V Limit Switch Models

Dimensions

3" (DN80) ASME Class 150 & 300, Flanged, Reduced Port 7000 Series Valves with Valv-Power Spring Return Actuator



4" & 6" (DN100 & 150) ASME Class 150 & 300, Flanged, Reduced Port 7000 Series Valves with Valv-Power Spring Return Actuator



7000 Series, ASME Class 150, Flanged, Reduced Port with VPVL Actuator - inches								
Valve Size (inches)	A	B	C**	D	E	F	Weight (lbs)	Actuator
3	8.00	13.11	18.11	2.31	3.03	5.77	121	VPVL400SR4/5LX
4	9.00	15.53	19.37	3.00	3.39	6.54	164	VPVL450SR4/5LX
6	10.50	20.79	26.83	4.00	4.39	8.58	300	VPVL600SR4/5LXFJ

**= Add 2.12" for QX4V Limit Switch Models

7000 Series, ASME Class 150, Flanged, Reduced Port with VPVL Actuator - millimeters								
Valve Size (DN)	A	B	C**	D	E	F	Weight (kg)	Actuator
80	203	333	460	59	77	147	55	VPVL400SR4/5LX
100	229	394	492	76	86	166	75	VPVL450SR4/5LX
150	267	528	681	102	112	218	136	VPVL600SR4/5LXFJ

**= Add 54mm for QX4V Limit Switch Models

7000 Series, ASME Class 300, Flanged, Reduced Port with VPVL Actuator - inches								
Valve Size (inches)	A	B	C**	D	E	F	Weight (lbs)	Actuator
3	11.12	13.11	18.12	2.31	3.03	5.77	143	VPVL400SR4/5LX
4	12.00	15.53	20.66	3.00	3.39	6.54	202	VPVL450SR4/5LX
6	15.88	20.79	26.98	4.00	4.39	8.58	376	VPVL600SR4/5LXFJ

**= Add 2.12" for QX4V Limit Switch Models

7000 Series, ASME Class 300, Flanged, Reduced Port with VPVL Actuator - millimeters								
Valve Size (DN)	A	B	C**	D	E	F	Weight (kg)	Actuator
80	282	333	460	59	77	147	65	VPVL400SR4/5LX
100	305	394	525	76	86	166	92	VPVL450SR4/5LX
150	403	528	685	102	112	218	171	VPVL600SR4/5LXFJ

**= Add 54mm for QX4V Limit Switch Models

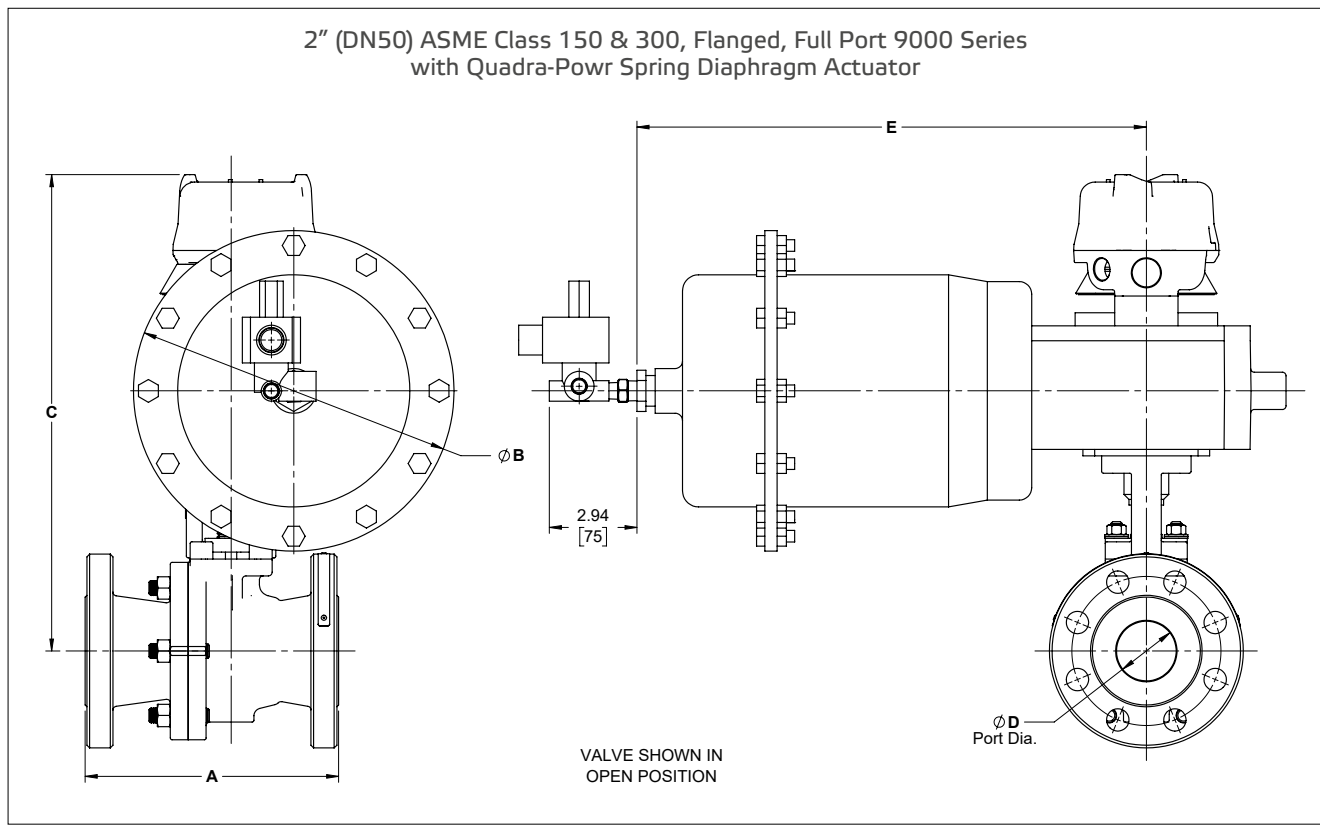
7000 Series, ASME Class 300 (Short Pattern), Flanged, Reduced Port with VPVL Actuator - inches								
Valve Size (inches)	A	B	C**	D	E	F	Weight (lbs)	Actuator
3	8.00	13.11	18.12	2.31	3.03	5.77	135	VPVL400SR4/5LX
4	9.00	15.53	20.66	3.00	3.39	6.54	192	VPVL450SR4/5LX
6	10.50	20.79	26.98	4.00	4.39	8.58	339	VPVL600SR4/5LXFJ

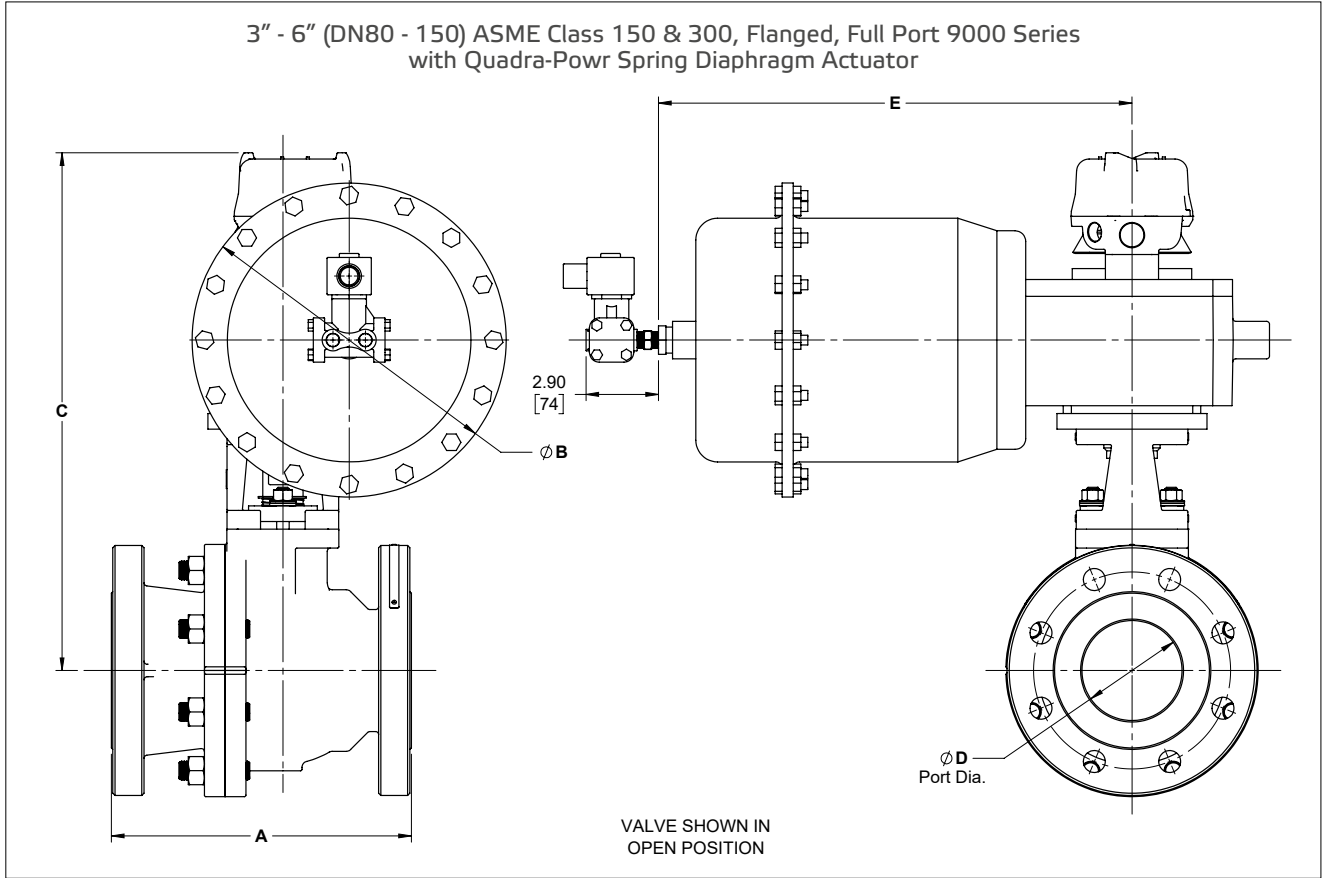
**= Add 2.12" for QX4V Limit Switch Models

7000 Series, ASME Class 300 (Short Pattern), Flanged, Reduced Port with VPVL Actuator - millimeters								
Valve Size (DN)	A	B	C**	D	E	F	Weight (kg)	Actuator
80	203	333	460	59	77	147	61	VPVL400SR4/5LX
100	229	394	525	76	86	166	87	VPVL450SR4/5LX
150	267	528	685	102	112	218	154	VPVL600SR4/5LXFJ

**= Add 54mm for QX4V Limit Switch Models

Dimensions





9000 Series, ASME Class 150, Flanged, Full Port with QPX Actuator - inches							
Valve Size (inches)	A	B	C**	D	E	Weight (lbs)	Actuator
2	7.00	10.79	16.20	2.00	17.08	148	QPX3C/MC
3	8.00	10.79	17.01	3.00	17.08	170	QPX3C/MC
4	9.00	12.60	20.74	4.00	18.94	273	QPX4C/MC
6	15.50	15.04	23.71	6.00	23.39	553	QPX5C/MC

**= Add 2.12" for QX4V Limit Switch Models

9000 Series, ASME Class 150, Flanged, Full Port with QPX Actuator - millimeters							
Valve Size (DN)	A	B	C**	D	E	Weight (kg)	Actuator
50	178	274	411	51	434	67	QPX3C/MC
80	203	274	432	76	434	77	QPX3C/MC
100	229	320	527	102	481	124	QPX4C/MC
150	394	382	602	152	594	251	QPX5C/MC

**= Add 54mm for QX4V Limit Switch Models

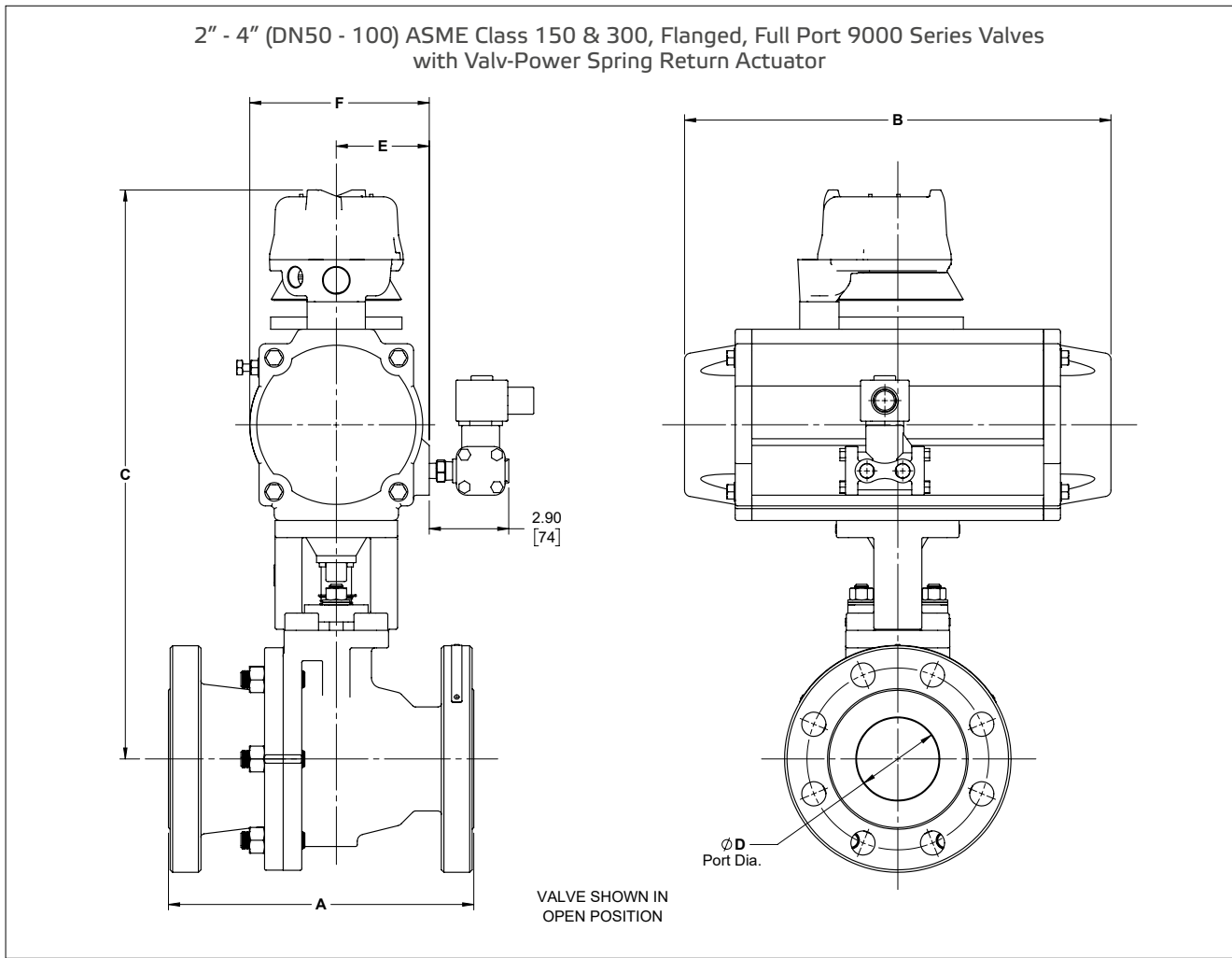
9000 Series, ASME Class 300, Flanged, Full Port with QPX Actuator - inches							
Valve Size (inches)	A	B	C**	D	E	Weight (lbs)	Actuator
2	8.50	10.79	16.20	2.00	17.08	157	QPX3C/MC
3	11.12	10.79	18.30	3.00	17.08	204	QPX3C/MC
4	12.00	12.60	20.89	4.00	18.94	324	QPX4C/MC
6	15.88	15.04	26.18	6.00	23.39	636	QPX5C/MC

**= Add 2.12" for QX4V Limit Switch Models

9000 Series, ASME Class 300, Flanged, Full Port with QPX Actuator - millimeters							
Valve Size (DN)	A	B	C**	D	E	Weight (kg)	Actuator
50	216	274	411	51	434	71	QPX3C/MC
80	282	274	465	76	434	92	QPX3C/MC
100	305	320	531	102	481	147	QPX4C/MC
150	403	382	665	152	594	289	QPX5C/MC

**= Add 54mm for QX4V Limit Switch Models

Dimensions



9000 Series, ASME Class 150, Flanged, Full Port with VPVL Actuator - inches								
Valve Size (inches)	A	B	C**	D	E	F	Weight (lbs)	Actuator
2	7.00	15.53	18.56	2.00	3.39	6.54	127	VPVL450SR4/5LX
3	8.00	15.53	19.37	3.00	3.39	6.54	149	VPVL450SR4/5LX
4	9.00	20.79	26.83	4.00	4.39	8.58	262	VPVL600SR4/5LXFJ

**= Add 2.12" for QX4V Limit Switch Models

9000 Series, ASME Class 150, Flanged, Full Port with VPVL Actuator - millimeters								
Valve Size (DN)	A	B	C**	D	E	F	Weight (kg)	Actuator
50	178	394	471	51	86	166	58	VPVL450SR4/5LX
80	203	394	492	76	86	166	68	VPVL450SR4/5LX
100	229	528	681	102	112	218	119	VPVL600SR4/5LXFJ

**= Add 54mm for QX4V Limit Switch Models

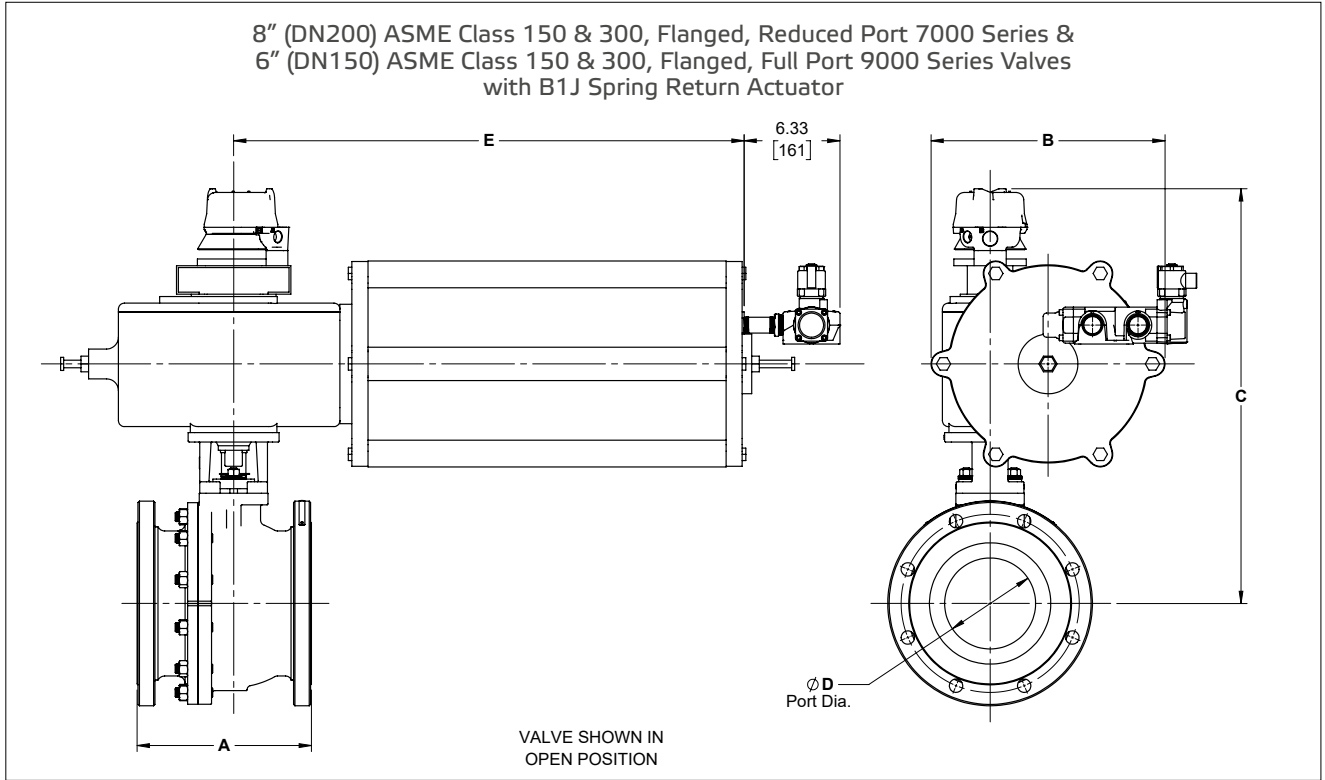
9000 Series, ASME Class 300, Flanged, Full Port with VPVL Actuator - inches								
Valve Size (inches)	A	B	C**	D	E	F	Weight (lbs)	Actuator
2	8.50	15.53	18.56	2.00	3.39	6.54	136	VPVL450SR4/5LX
3	11.12	15.53	20.66	3.00	3.39	6.54	181	VPVL450SR4/5LX
4	12.00	20.79	26.98	4.00	4.39	8.58	313	VPVL600SR4/5LXFJ

**= Add 2.12" for QX4V Limit Switch Models

9000 Series, ASME Class 300, Flanged, Full Port with VPVL Actuator - millimeters								
Valve Size (DN)	A	B	C**	D	E	F	Weight (kg)	Actuator
50	216	394	471	51	86	166	62	VPVL450SR4/5LX
80	282	394	525	76	86	166	82	VPVL450SR4/5LX
100	305	528	685	102	112	218	142	VPVL600SR4/5LXFJ

**= Add 54mm for QX4V Limit Switch Models

Dimensions



7000 Series, ASME Class 150, Flanged, Reduced Port with B1J Actuator - inches							
Valve Size (inches)	A	B	C**	D	E	Weight (lbs)	Actuator
8	11.50	15.43	32.58	6.00	31.69	803	B1JU20/55CL

**= Add 2.12" for QX4V Limit Switch Models

7000 Series, ASME Class 150, Flanged, Reduced Port with B1J Actuator - millimeters							
Valve Size (DN)	A	B	C**	D	E	Weight (kg)	Actuator
200	292	392	828	152	805	364	B1JU20/55CL

**= Add 54mm for QX4V Limit Switch Models

7000 Series, ASME Class 300, Flanged, Reduced Port with B1J Actuator - inches							
Valve Size (inches)	A	B	C**	D	E	Weight (lbs)	Actuator
8	19.75	15.43	30.93	6.00	31.69	935	B1JU20/55CL

**= Add 2.12" for QX4V Limit Switch Models

7000 Series, ASME Class 300, Flanged, Reduced Port with B1J Actuator - millimeters							
Valve Size (DN)	A	B	C**	D	E	Weight (kg)	Actuator
200	502	392	786	152	805	424	B1JU20/55CL

**= Add 54mm for QX4V Limit Switch Models

7000 Series, ASME Class 300 (Short Pattern), Flanged, Reduced Port with B1J Actuator - inches							
Valve Size (inches)	A	B	C**	D	E	Weight (lbs)	Actuator
8	11.50	15.43	30.93	6.00	31.69	835	B1JU20/55CL

**= Add 2.12" for QX4V Limit Switch Models

7000 Series, ASME Class 300 (Short Pattern), Flanged, Reduced Port with B1J Actuator - millimeters							
Valve Size (DN)	A	B	C**	D	E	Weight (kg)	Actuator
200	292	392	786	152	805	379	B1JU20/55CL

**= Add 54mm for QX4V Limit Switch Models

9000 Series, ASME Class 150, Flanged, Full Port with B1J Actuator - inches							
Valve Size (inches)	A	B	C**	D	E	Weight (lbs)	Actuator
6	15.50	15.43	28.46	6.00	31.69	761	B1JU20/55CL

**= Add 2.12" for QX4V Limit Switch Models

9000 Series, ASME Class 150, Flanged, Full Port with B1J Actuator - millimeters							
Valve Size (DN)	A	B	C**	D	E	Weight (kg)	Actuator
150	394	392	723	152	805	345	B1JU20/55CL

**= Add 54mm for QX4V Limit Switch Models

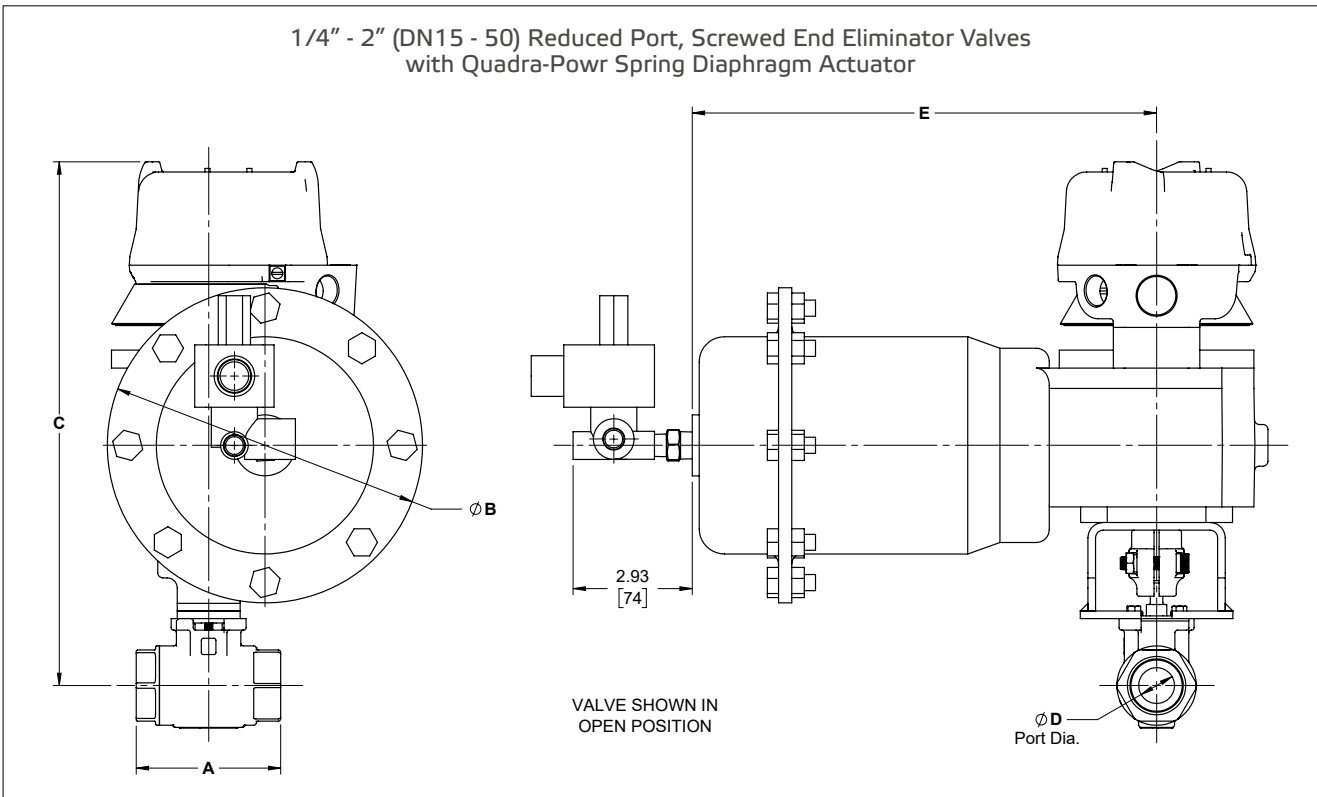
9000 Series, ASME Class 300, Flanged, Full Port with B1J Actuator - inches							
Valve Size (inches)	A	B	C**	D	E	Weight (lbs)	Actuator
6	15.88	15.43	30.93	6.00	31.69	845	B1JU20/55CL

**= Add 2.12" for QX4V Limit Switch Models

9000 Series, ASME Class 300, Flanged, Full Port with B1J Actuator - millimeters							
Valve Size (DN)	A	B	C**	D	E	Weight (kg)	Actuator
150	403	392	786	152	805	383	B1JU20/55CL

**= Add 54mm for QX4V Limit Switch Models

Dimensions



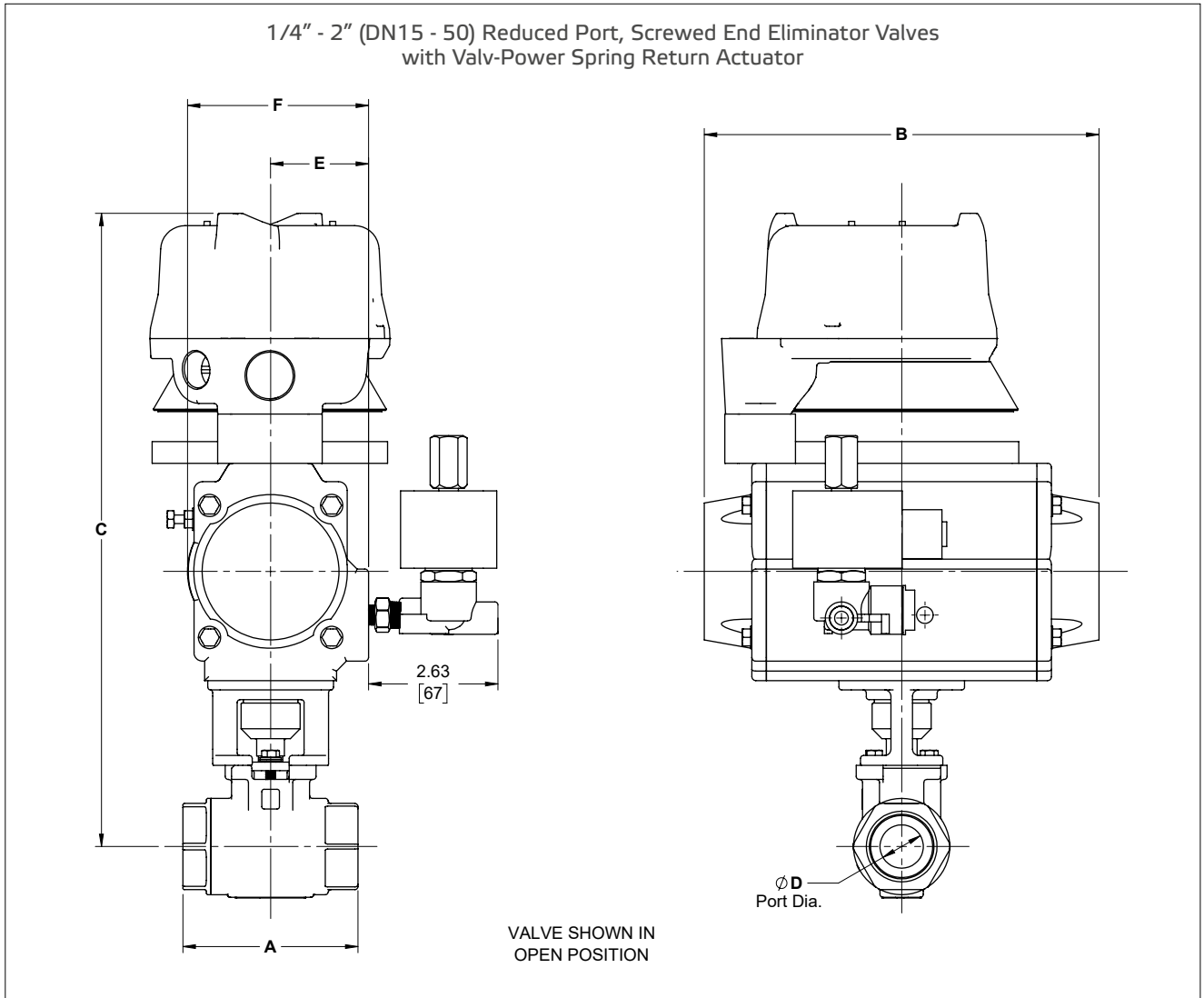
Eliminator Reduced Port, Screwed End with QPX Actuator - inches							
Valve Size (inches)	A	B	C**	D	E	Weight (lbs)	Actuator
1/4	2.16	7.75	12.41	0.43	14.17	73	QPX1C/MC
3/8	2.16	7.75	12.41	0.43	14.17	73	QPX1C/MC
1/2	2.62	7.75	12.41	0.50	14.17	73	QPX1C/MC
3/4	3.00	7.75	12.57	0.69	14.17	74	QPX1C/MC
1	3.55	7.75	13.06	0.88	14.17	75	QPX1C/MC
1-1/4	4.00	7.75	13.19	1.00	14.17	77	QPX1C/MC
1-1/2	4.38	7.75	13.64	1.25	14.17	78	QPX1C/MC
2	5.50	7.75	13.82	1.50	14.17	80	QPX1C/MC

**= Add 2.12" for QX4V Limit Switch Models

Eliminator Reduced Port, Screwed End with QPX Actuator - millimeters							
Valve Size (DN)	A	B	C**	D	E	Weight (kg)	Actuator
8	55	197	315	11	360	33	QPX1C/MC
10	55	197	315	11	360	33	QPX1C/MC
15	67	197	315	13	360	33	QPX1C/MC
20	76	197	319	18	360	34	QPX1C/MC
25	90	197	332	22	360	34	QPX1C/MC
32	102	197	335	25	360	35	QPX1C/MC
40	111	197	346	32	360	36	QPX1C/MC
50	140	197	351	38	360	37	QPX1C/MC

**= Add 54mm for QX4V Limit Switch Models

Dimensions



Eliminator Reduced Port, Screwed End with VPVL Actuator - inches								
Valve Size (inches)	A	B	C**	D	E	F	Weight (lbs)	Actuator
1/4	2.16	6.04	10.94	0.43	1.91	3.33	48	VPVL100SR4/5LX
3/8	2.16	6.04	10.94	0.43	1.91	3.33	48	VPVL100SR4/5LX
1/2	2.62	6.04	10.94	0.50	1.91	3.33	48	VPVL100SR4/5LX
3/4	3.00	6.04	11.10	0.69	1.91	3.33	49	VPVL100SR4/5LX
1	3.55	8.01	12.64	0.88	1.99	3.66	54	VPVL200SR4/5LX
1-1/4	4.00	8.01	12.77	1.00	1.99	3.66	55	VPVL200SR4/5LX
1-1/2	4.38	9.49	13.86	1.25	2.22	4.17	60	VPVL250SR4/5LX
2	5.50	10.20	14.51	1.50	2.48	4.67	66	VPVL300SR4/5LX

**= Add 2.12" for QX4V Limit Switch Models

Eliminator Reduced Port, Screwed End with VPVL Actuator - millimeters								
Valve Size (DN)	A	B	C**	D	E	F	Weight (kg)	Actuator
8	55	153	278	11	49	85	22	VPVL100SR4/5LX
10	55	153	278	11	49	85	22	VPVL100SR4/5LX
15	67	153	278	13	49	85	22	VPVL100SR4/5LX
20	76	153	282	18	49	85	22	VPVL100SR4/5LX
25	90	203	321	22	51	93	24	VPVL200SR4/5LX
32	102	203	324	25	51	93	25	VPVL200SR4/5LX
40	111	241	352	32	56	106	27	VPVL250SR4/5LX
50	140	259	369	38	63	119	30	VPVL300SR4/5LX

**= Add 54mm for QX4V Limit Switch Models

How to order Jamesbury gas safety shutoff and vent valves

WARNING: As the use of the valve is application specific, a number of factors should be taken into account when selecting a valve for a given application. Therefore, some of the situations in which the valves are used are outside the scope of this manual. If you have any questions concerning the use, application or compatibility of the valve with the intended service, contact Valmet for more information.

The Gas Safety Shutoff and Vent Valve designation is made up of numbers and letters that describe all features of the available variations of these units. Coding is as follows:

Example: 1057 3C11A1AG3 A 1" (3), ASME Class 300 reduced port short design valve (C), Carbon Steel Body and Stainless Steel Trim (1), Xtreme Seats (1), Quadra-Powr X Actuator to operate at minimum temperature of -20°F and 60 psig air supply (A), QX2VB02SDM Limit Switch (1), Both Switches Fixed (A), S/S Solenoid (G), 24VDC low power required (3), Spring to Close (Leave Blank)

Figure	1	2	3	4	5	6	7	8	9	10
1057	3	C	1	1	A	1	A	G	3	

1	Valve Size
Code	inches
A*	1/4" NPS
B*	3/8" NPS
1	1/2" NPS
2	3/4" NPS
3	1" NPS
4**	1-1/4" NPS
C	1-1/2" NPS
5	2" NPS
6	3" NPS
7	4" NPS
8	6" NPS
9	8" NPS

* Eliminator Only

** 4000 Series Only and Eliminator Only

2	Valve Style, End Connection & Body Rating	
Code	Style	End Connection and Body Rating
A	7150	1/2"-8", Reduced Port, Flanged, ASME Class 150
B	7300	1/2"-8", Reduced Port, Flanged, ASME Class 300
C	730S	1/2"-8", Reduced Port, Flanged, ASME Class 300 short
D	9150	1/2"-6", Full Port, Flanged, ASME Class 150
E	9300	1/2"-6", Full Port, Flanged, ASME Class 300
F	4000 FB NPT	1/2"-1-1/2", Full Port, NPT, ASME Class 800
G	4000 RB NPT	1/2"-2", Reduced Port, NPT, ASME Class 800
H	9FA Eliminator	1/4"-2", Reduced Port, NPT, ASME Class 600
J	7180**	1/2"-8", Reduced Port, Flanged, ASME Class 150 with PED Certification
K	7380**	1/2"-8", Reduced Port, Flanged, ASME Class 300 with PED Certification
L	738S**	1/2"-8", Reduced Port, Flanged, ASME Class 300 short with PED Certification
M	9180**	1/2"-6", Full Port, Flanged, ASME Class 150 with PED Certification
N	9380**	1/2"-6", Full Port, Flanged, ASME Class 300 with PED Certification
P	4000 FB NPT M**	1/2"-1-1/2", Full Port, NPT, ASME Class 800 with PED Certification
Q	4000 RB NPT M**	1/2"-2", Reduced Port, NPT, ASME Class 800 with PED Certification
R	9FM Eliminator**	1/4"-2", Reduced Port, NPT, ASME Class 600 with PED Certification

** Valves larger than 1" and CE Marked

3 Body and Trim Material		
Code	Material	Temperature Limit
1	2236 - Carbon Steel Body & Stainless Steel Trim	-20°F, -30°C
2	3600 - Stainless Steel Body & Trim	-60°F, -51°C
3	22HB - Carbon Steel Body & Stainless Ball and 17-4PH Stem	-20°F, -30°C
4	36HB - Stainless Steel Body & Stainless Ball and 17-4PH Stem	-60°F, -51°C
5	2271 - Carbon Steel Body & Monel Ball and Stem	-20°F, -30°C
6	3671 - Stainless Steel Body & Monel Ball and Stem	-60°F, -51°C

4 Seat & Seal Material		
Code	Material	Temperature Limit
1	<i>Xtreme</i> Seat, TFM & Graphite Seals*	-40°F, -40°C
2	100% PTFE, PTFE & Graphite Seals	-20°F, -30°C

* *Xtreme* Seats (XTZ) cannot be used for 8"-7000/6"-9000 Series with QPX5 actuator. ONLY PTFE seats (TTT) are applicable.

5 Actuator Style		
Code	Actuator	Max Supply Pressure
A	QPX_C/M (-20°F, -30°C)	60 psi
B	VPVL_SR4/5 LX (-60°F, -51°C)	60 psi
C	B1J_CL (-60°F, -51°C)	60 psi

6 Proof-of-Closure Switch Description		
Code	Switch Code	Temp. Rating
0	No Switch	-
1	QX2VB02SDM 2SPDT, Explosion Proof, Mechanical	-40°F to 125°F -40°C to 52°C
5	QX35B02SDM 2SPST, Explosion Proof, Solid State Proximity	-40°F to 125°F -40°C to 52°C
9	QX4XB03SDM-MET21 2SPDT, Explosion Proof, Solid State Proximity, (Additional Termination Strip) ^b	-40°F to 125°F -40°C to 52°C
A	QX4VB02SDM-MET52 2DPDT, Explosion Proof, Mechanical Switches ^a	-40°F to 125°F -40°C to 52°C
B	QX4WB02SDM-MET53 2DPDT, Explosion Proof, Mechanical Switches ^a	-40°F to 125°F -40°C to 52°C

7 Proof-of-Closure Switch Set-up	
Code	Set-up
0	No Switch
A	Both Switches Fixed
B	One(1) Switched Fixed, One(1) Switched Free

8 Solenoid Type	
Code	Type
A	Standard (Explosion Proof); 125°F max.
B	High Temp; 140°F max.
E	Stainless Steel High Temp; 140°F max.
F	Manual Reset; 125°F max.
G	Stainless Steel; 125°F max.

9 Solenoid Voltage	
Code	Voltage
1	120 VAC; 60 Hz
2	24 VDC
3	24 VDC; Low Power

10 Actuator Spring Direction	
Code	Direction
—	Spring-to-Close
O	Spring-to-Open

Valmet Flow Control Oy

Vanha Porvoontie 229, 01380 Vantaa, Finland.

Tel. +358 10 417 5000.

www.valmet.com/flowcontrol

Subject to change without prior notice.

Neles, Neles Easyflow, Jamesbury, Stonel, Valvcon and Flowrox, and certain other trademarks, are either registered trademarks or trademarks of Valmet Oyj or its subsidiaries in the United States and/or in other countries.

