

Figure 1052 – FM Approved, Automatic safety shut-off and vent valves for liquid and gas burners and appliances

The Jamesbury™ Figure 1052 Automatic Safety Shut Off valves are FM Global approved to standard number 7400 and 7440 for providing protection against hazards during operation of fuel systems or fuel burning equipment. The valves will operate quickly to isolate or vent upon loss of electrical signal, and operate to isolate or vent if the instrument air pressure is lost.



The importance of certified performance

Obtaining certification only achievable through rigorous testing is not only a matter of meeting industry standards and regulations, but also an assurance of quality and reliability. Valmet offers unparalleled performance with its offering of certified Jamesbury safety shut-off and vent valves for burner management systems.

(15-150) full port construction. The threaded ASME and flanged valves offering can also be supplied with a PED (Pressure Equipment Directive) certification. Valves are offered in Carbon Steel (WCB) and 316SS (CF8M) bodies. Trim material is 316SS as standard.

Our promise of quality and reliability

Valmet certified Jamesbury FM approved packages offer Innovation through patented seat and seal designs, Xtreme™ seat material, pneumatic actuator, limit switch and solenoid performance to maximize plant uptime.

Single source responsibility

All components of the Valmet Figure 1052 packages, excluding pneumatic solenoid, are Valmet designed and engineered products. This insures reliable, safe and worry free operation of the safety shutoff and vent valves through many years of service.

Approved valve models

Valves are available with either threaded or socket weld ends in sizes 1/4" – 2" (8-50), ASME 150 and ASME 300 flanged design in sizes 1/2" - 8" (15-200) reduced port and ASME 150 and ASME 300 flanged design in 1/2" – 6"

Size	Model	Code	End Connection
1/4" - 2" (8-50)	A Style	AZ	Reduced Port, Threaded
1/4" - 2" (8-50)	Eliminator	9F	Reduced Port, Threaded
1/2" - 2" (15-50)	4000 Series	4A/4C 4A/4C	Reduced Port, Threaded or Socket Weld
1/2" - 1-1/2" (15-40)	4000 Series	4B/4D 4B/4D	Full Port, Threaded or Socket Weld
1/2" - 8" (15-200)	7000 Series	7150/7180	Reduced Port, Flanged
1/2" - 8" (15-200)	7000 Series	730S/738S	Reduced Port, Flanged (Short Pattern)
1/2" - 8" (15-200)	7000 Series	7300/7380	Reduced Port, Flanged
1/2" - 6" (15-150)	9000 Series	9150/9180	Full Port, Flanged
1/2" - 6" (15-150)	9000 Series	9300/9380	Full Port, Flanged

Valve design features and benefits

Polymeric flexible lip, self relieving seat design offers tight shut-off to API 598, better than ANSI / FCI 70-2 Class VI, in either direction and extended cycle life with a minimum of maintenance. Providing tightest shutoff available.

Xtreme seat material, developed in the Valmet Polymer Research Laboratory, provides longer life and industry leading expanded performance. This equals a lower cost of ownership.

API standards for 'Process Valves' require adjustable packing. Valmet's independently adjustable stem sealing, including 2" and smaller patented design, provides a life cycle that complements the enhanced performance of the seat technology; lowers the risk of fugitive emissions.

Approved actuator models

Jamesbury Figure 1052 assemblies are available with a choice of two actuator types. The Quadra-Powr™ X spring and diaphragm pneumatic actuator rated for 60 psi/4.1 bar minimum air supply or the Valv-Powr™ VPVL rack and pinion pneumatic actuator rated for 60 psi/4.1 bar minimum air supply. Assemblies approved for 40 PSI minimum air supply are available.

Note* Operating FM package with a actuator air supply greater than the listed minimum air supply pressure can have an adverse effect on operating speeds. This is especially true in the optional fast closing assemblies.

Quadra-Powr X actuator features

Rolling diaphragm design, along with a one piece UHMW Polyethylene guide bearing insures a long cycle life, smooth operation and low friction.

Acetal-lined stainless steel backed bearing offer a low coefficient of friction that allows virtually all of the available torque to be delivered directly to the output shaft.

Zinc phosphate epoxy based primer coat and UV resistant polyurethane top coat provide durability and protection in corrosive atmospheres.

Valv-Powr actuator features

Bearings on all rotating and moving parts to insure a long cycle life.

Dual piston rack-and-pinion mechanism for simple construction, high cycle life and constant torque output.

Hard-anodized PTFE-coated extruded aluminum body with honed internal surfaces for strength and lower coefficient of friction.

Mechanically multi-guided aluminum pistons for precise movement, low friction and high cycle life.

Machined teeth on piston racks and pinions for excellent rack and pinion engagement and maximum efficiency.

Solenoid pilot valves

Valmet has tested and qualified all of the approved solenoid models to insure the reliability and quality to maximize cycle life.

Flow capacity of the solenoid is sufficient to provide standard valve closing within 5 seconds. Optional fast closing units are available as an option.

Standard coils are continuous duty molded Class F.

Stonel™ Limit switches

Housing assemblies are FM approved to NEMA 4, 4X and 6; Class I, Div. 1, Groups B, C & D; Class II, Div. 1, Groups E, F & G for watertight and explosive proof hazardous location service.

Limit switches are actuated directly from the valve/actuator drive train, reliably giving a true valve position signal.

Switched designated as "supervisory" are set so that are activated only when the valve is in the fail position. The "supervisory" switch(es) marked so as to indicate the, as assembled, position. Switches indicated as "free" are not marked and can be adjusted. These are normally set to be activated when the actuator is energized.

Maximum operating pressure ratings

Automatic Gas and Oil Safety Valves are rated for service based on FM approval tests as shown below. Ambient temperature should not exceed +140°F (60°C).

Valve Size (Inches)	Valve Size (DN)	Valve Series	Valve Material	Seats	Maximum Operating Pressure					
					Gas		Unheated Oil #2, #4		Heated Oil #5, #6	
					(Max Temp. 100°F / 38°C)		(Max Temp. 100°F / 38°C)		(Max Temp. °F / °C)	
					psi	bar	psi	bar	psi	bar
1/2" - 2"	15-50	4000	WCB, CF8M	Xtreme(X)	1200	82.7	1200	82.7	350	24
				PTFE (T)	1000	68.9	1000	68.9	100	7
1/4" - 2"	8-50	Eliminator	WCB, CF8M	Xtreme(X)	1200	82.7	1200	82.7	350	24
				PTFE (T)	1000	68.9	1000	68.9	100	7
1/4" - 2"	8-50	A Style	WCB, CF8M	Xtreme(X)	1200	82.7	1200	82.7	350	24
				PTFE (T)	1000	68.9	1000	68.9	100	7
1/2" - 8" (1/2" - 6")	15-200 (15-150)	7150 (9150)	WCB	Xtreme(X)	285	19.6	285	19.6	170	12
				PTFE (T)					100	7
			CF8M	Xtreme(X)	275	19	275	19	170	12
				PTFE (T)					100	7
1/2" - 2" (1/2" - 1-1/2")	15-50 (15-40)	7300/730S (9300)	WCB	Xtreme(X)	740	51.1	740	51.1	350	24
				PTFE (T)					100	7
			CF8M	Xtreme(X)	720	49.6	720	49.6	350	24
				PTFE (T)					100	7
3" - 8" (2" - 6")	80-200 (50-150)	7300/730S (9300)	WCB	Xtreme(X)	285	19.6	285	19.6	170	12
				PTFE (T)					100	7
			CF8M	Xtreme(X)	275	19	275	19	170	12
				PTFE (T)					100	7

* For Xtreme seats, use Max Temp. 500°F/260°C. For PTFE seats, use Max Temp. 375°F/190°C

Flow data

The tables below provide flow coefficients of *Jamesbury* Automatic Gas and Oil Safety Valves covered in this bulletin. The C_v values represent the flow of water at +60°F through the valve in U.S. gallons per minute at a pressure drop of 1 psi. The metric equivalent, K_v , is the flow of water at 16°C through the valve in m^3/hr at a pressure drop of 1 kg/cm^2 . To convert C_v to K_v , multiply by 0.8569.

Series 4000			
Valve Size		Standard Port	Full Port
Inches	DN	C_v	C_v
1/2	15	13	13
3/4	20	33	40
1	25	44	65
1-1/4	32	46	90
1-1/2	40	95	135
2	50	111	-

Eliminator & A Style		
Valve Size		Standard Port
Inches	DN	C_v
1/4	8	6
3/8	10	10
1/2	15	13
3/4	20	33
1	25	44
1-1/4	32	46
1-1/2	40	95
2	50	111

Standard Port Flanged Valves		
Valve Size		C_v
Inches	DN	
1/2	15	9
3/4	20	19
1	25	45
1-1/2	40	125
2	50	165
3	80	350
4	100	550
6	150	765
8	200	1890

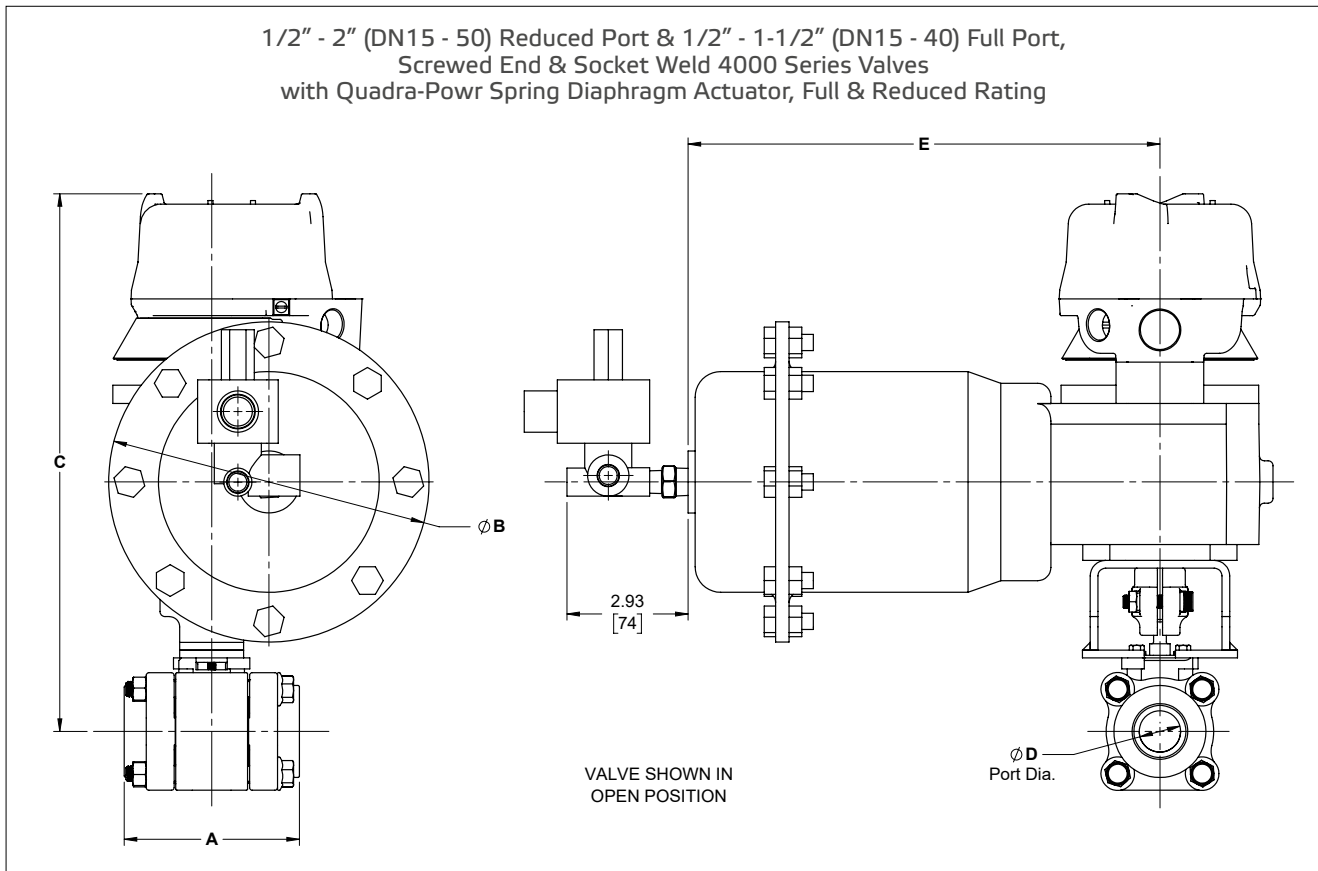
Full Port Flanged Valves		
Valve Size		C_v
Inches	DN	
1/2	15	9
3/4	20	50
1	25	100
1-1/2	40	270
2	50	490
3	80	1160
4	100	2200
6	150	5100

Dimensional data

The following dimensional data is nominal values using a standard solenoid, standard actuators sized for 60psi and a tall Quartz™ switch.

Figure 1052 – FM Approved, Automatic safety shut-off and vent valves for liquid and gas burners and appliances

Dimensions



4000 Reduced Port, Screwed End & Socket Weld with QPX Actuator, Full Rating - inches							
Valve Size (inches)	A (Socket & NPT)	B	C**	D	E	Weight (lbs)	Actuator
1/2	2.59	7.75	12.41	0.50	14.17	74	QPX1C/MC
3/4	3.01	7.75	12.57	0.69	14.17	75	QPX1C/MC
1	3.69	7.75	13.06	0.88	14.17	77	QPX1C/MC
1-1/4	4.22	7.75	13.19	1.00	14.17	79	QPX1C/MC
1-1/2	4.58	8.98	13.88	1.25	16.93	97	QPX2C/MC
2	5.11	10.79	14.55	1.50	21.77	130	QPX3C/MC

**= Add 2.12" for QX4V Limit Switch Models

4000 Reduced Port, Screwed End & Socket Weld with QPX Actuator, Full Rating - millimeters							
Valve Size (DN)	A (Socket & NPT)	B	C**	D	E	Weight (kg)	Actuator
15	66	197	315	13	360	34	QPX1C/MC
20	76	197	319	18	360	34	QPX1C/MC
25	94	197	332	22	360	35	QPX1C/MC
32	107	197	335	25	360	36	QPX1C/MC
40	116	228	353	32	430	44	QPX2C/MC
50	130	274	370	38	553	59	QPX3C/MC

**= Add 54mm for QX4V Limit Switch Models

4000 Full Port, Screwed End & Socket Weld with QPX Actuator, Full Rating - inches							
Valve Size (inches)	A (Socket & NPT)	B	C**	D	E	Weight (lbs)	Actuator
1/2	2.59	7.75	12.41	0.50	14.17	74	QPX1C/MC
3/4	3.69	7.75	13.06	0.88	14.17	78	QPX1C/MC
1	4.22	7.75	13.19	1.00	14.17	80	QPX1C/MC
1-1/4	4.58	8.98	13.88	1.25	16.93	98	QPX2C/MC
1-1/2	5.11	10.79	14.55	1.50	21.77	131	QPX3C/MC

**= Add 2.12" for QX4V Limit Switch Models

4000 Full Port, Screwed End & Socket Weld with QPX Actuator, Full Rating - millimeters							
Valve Size (DN)	A (Socket & NPT)	B	C**	D	E	Weight (kg)	Actuator
15	66	197	315	13	360	34	QPX1C/MC
20	94	197	332	22	360	35	QPX1C/MC
25	107	197	335	25	360	36	QPX1C/MC
32	116	228	353	32	430	44	QPX2C/MC
40	130	274	370	38	553	59	QPX3C/MC

**= Add 54mm for QX4V Limit Switch Models

Figure 1052 – FM Approved, Automatic safety shut-off and vent valves for liquid and gas burners and appliances

4000 Reduced Port, Screwed End & Socket Weld with QPX Actuator, Reduced Rating - inches							
Valve Size (inches)	A (Socket & NPT)	B	C**	D	E	Weight (lbs)	Actuator
1/2	2.59	7.75	12.41	0.50	14.17	74	QPX1C/MC
3/4	3.01	7.75	12.57	0.69	14.17	75	QPX1C/MC
1	3.69	7.75	13.06	0.88	14.17	77	QPX1C/MC
1-1/4	4.22	7.75	13.19	1.00	14.17	79	QPX1C/MC
1-1/2	4.58	8.98	13.88	1.25	16.93	97	QPX2C/MC
2	5.11	8.98	14.06	1.50	16.93	101	QPX2C/MC

**= Add 2.12" for QX4V Limit Switch Models

4000 Reduced Port, Screwed End & Socket Weld with QPX Actuator, Reduced Rating - millimeters							
Valve Size (DN)	A (Socket & NPT)	B	C**	D	E	Weight (kg)	Actuator
15	66	197	315	13	360	34	QPX1C/MC
20	76	197	319	18	360	34	QPX1C/MC
25	94	197	332	22	360	35	QPX1C/MC
32	107	197	335	25	360	36	QPX1C/MC
40	116	228	353	32	430	44	QPX2C/MC
50	130	228	357	38	430	46	QPX2C/MC

**= Add 54mm for QX4V Limit Switch Models

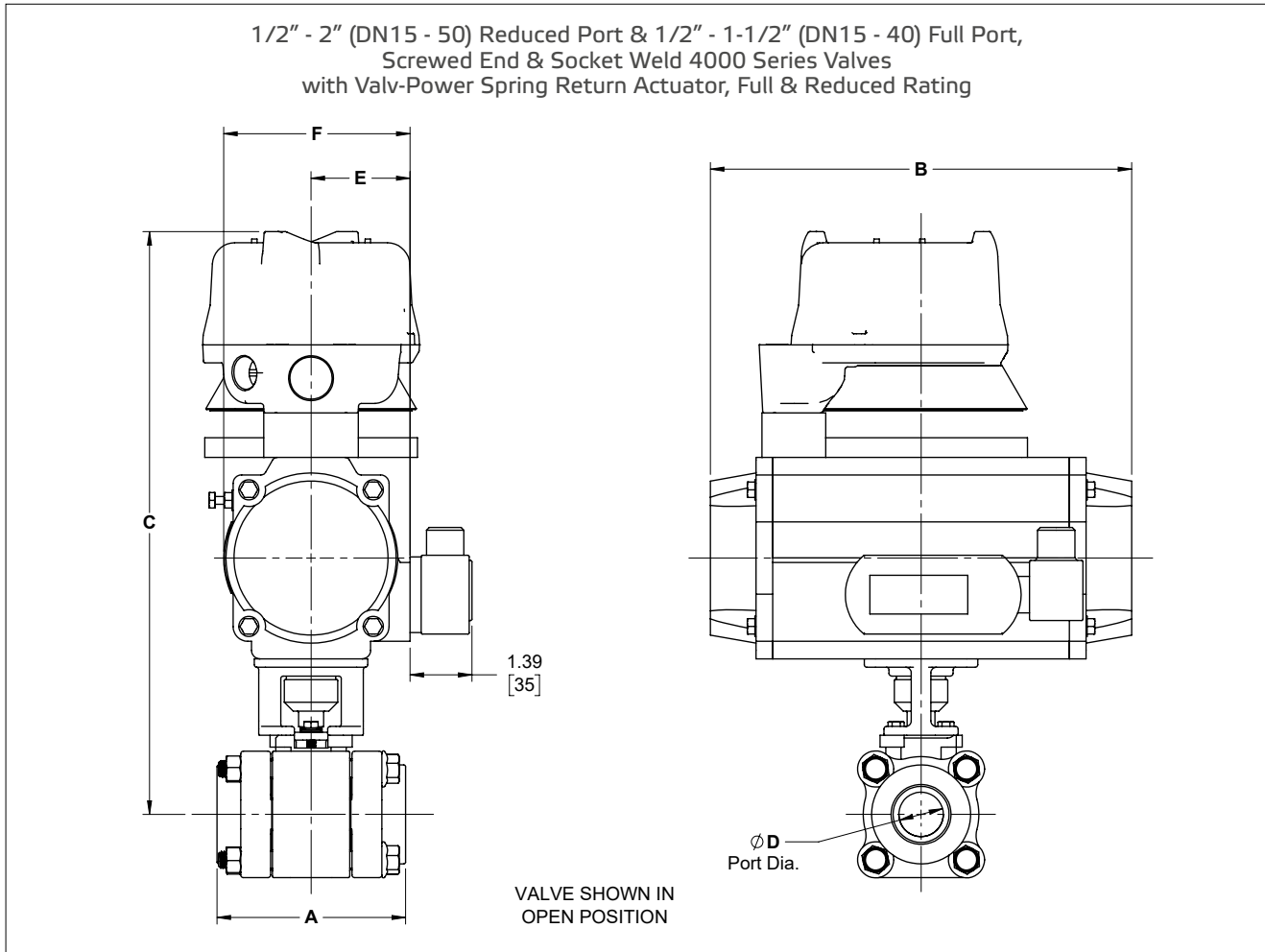
4000 Full Port, Screwed End & Socket Weld with QPX Actuator, Reduced Rating - inches							
Valve Size (inches)	A (Socket & NPT)	B	C**	D	E	Weight (lbs)	Actuator
1/2	2.59	7.75	12.41	0.50	14.17	74	QPX1C/MC
3/4	3.69	7.75	13.06	0.88	14.17	78	QPX1C/MC
1	4.22	7.75	13.19	1.00	14.17	80	QPX1C/MC
1-1/4	4.58	8.98	13.88	1.25	16.93	98	QPX2C/MC
1-1/2	5.11	8.98	14.06	1.50	16.93	102	QPX2C/MC

**= Add 2.12" for QX4V Limit Switch Models

4000 Full Port, Screwed End & Socket Weld with QPX Actuator, Reduced Rating - millimeters							
Valve Size (DN)	A (Socket & NPT)	B	C**	D	E	Weight (kg)	Actuator
15	66	197	315	13	360	34	QPX1C/MC
20	94	197	332	22	360	35	QPX1C/MC
25	107	197	335	25	360	36	QPX1C/MC
32	116	228	353	32	430	44	QPX2C/MC
40	130	228	357	38	430	46	QPX2C/MC

**= Add 54mm for QX4V Limit Switch Models

Dimensions



4000 Reduced Port, Screwed End & Socket Weld with VPVL Actuator, Full Rating - inches								
Valve Size (inches)	A (Socket & NPT)	B	C**	D	E	F	Weight (lbs)	Actuator
1/2	2.59	6.04	10.94	0.50	1.91	3.33	48	VPVL100SR4/5
3/4	3.01	8.01	11.77	0.69	1.99	3.66	52	VPVL200SR4/5
1	3.69	9.49	13.15	0.88	2.22	4.17	58	VPVL250SR4/5
1-1/4	4.22	11.97	14.46	1.00	2.84	5.35	72	VPVL350SR4/5
1-1/2	4.58	13.11	15.51	1.25	3.03	5.77	84	VPVL400SR4/5
2	5.11	15.53	16.48	1.50	3.39	6.54	99	VPVL450SR4/5

**= Add 2.12" for QX4V Limit Switch Models

4000 Reduced Port, Screwed End & Socket Weld with VPVL Actuator, Full Rating - millimeters								
Valve Size (DN)	A (Socket & NPT)	B	C**	D	E	F	Weight (kg)	Actuator
15	66	153	278	13	48	85	22	VPVL100SR4/5
20	76	203	299	18	50	93	24	VPVL200SR4/5
25	94	241	334	22	56	106	26	VPVL250SR4/5
32	107	304	367	25	72	136	33	VPVL350SR4/5
40	116	333	394	32	77	147	38	VPVL400SR4/5
50	130	394	419	38	86	166	45	VPVL450SR4/5

**= Add 54mm for QX4V Limit Switch Models

4000 Full Port, Screwed End & Socket Weld with VPVL Actuator, Full Rating - inches								
Valve Size (inches)	A (Socket & NPT)	B	C**	D	E	F	Weight (lbs)	Actuator
1/2	2.59	6.04	10.94	0.50	1.91	3.33	48	VPVL100SR4/5
3/4	3.69	9.49	13.15	0.88	2.22	4.17	58	VPVL250SR4/5
1	4.22	11.97	14.46	1.00	2.84	5.35	73	VPVL350SR4/5
1-1/4	4.58	13.11	15.51	1.25	3.03	5.77	85	VPVL400SR4/5
1-1/2	5.11	15.53	16.48	1.50	3.39	6.54	100	VPVL450SR4/5

**= Add 2.12" for QX4V Limit Switch Models

4000 Full Port, Screwed End & Socket Weld with VPVL Actuator, Full Rating - millimeters								
Valve Size (DN)	A (Socket & NPT)	B	C**	D	E	F	Weight (kg)	Actuator
15	66	153	278	13	48	85	22	VPVL100SR4/5
20	94	241	334	22	56	106	26	VPVL250SR4/5
25	107	304	367	25	72	136	33	VPVL350SR4/5
32	116	333	394	32	77	147	38	VPVL400SR4/5
40	130	394	419	38	86	166	45	VPVL450SR4/5

**= Add 54mm for QX4V Limit Switch Models

Figure 1052 – FM Approved, Automatic safety shut-off and vent valves for liquid and gas burners and appliances

4000 Reduced Port, Screwed End & Socket Weld with VPVL Actuator, Reduced Rating - inches								
Valve Size (inches)	A (Socket & NPT)	B	C**	D	E	F	Weight (lbs)	Actuator
1/2	2.59	6.04	10.94	0.50	1.91	3.33	48	VPVL100SR4/5
3/4	3.01	6.04	11.10	0.69	1.91	3.33	49	VPVL100SR4/5
1	3.69	8.01	12.64	0.88	1.99	3.66	54	VPVL200SR4/5
1-1/4	4.22	8.01	12.77	1.00	1.99	3.66	56	VPVL200SR4/5
1-1/2	4.58	9.49	13.86	1.25	2.22	4.17	64	VPVL250SR4/5
2	5.11	10.20	14.51	1.50	2.48	4.67	71	VPVL300SR4/5

**= Add 2.12" for QX4V Limit Switch Models

4000 Reduced Port, Screwed End & Socket Weld with VPVL Actuator, Reduced Rating - millimeters								
Valve Size (DN)	A (Socket & NPT)	B	C**	D	E	F	Weight (kg)	Actuator
15	66	153	278	13	48	85	22	VPVL100SR4/5
20	76	153	282	18	48	85	22	VPVL100SR4/5
25	94	203	321	22	50	93	25	VPVL200SR4/5
32	107	203	324	25	50	93	25	VPVL200SR4/5
40	116	241	352	32	56	106	29	VPVL250SR4/5
50	130	259	369	38	63	119	32	VPVL300SR4/5

**= Add 54mm for QX4V Limit Switch Models

4000 Full Port, Screwed End & Socket Weld with VPVL Actuator, Reduced Rating - inches								
Valve Size (inches)	A (Socket & NPT)	B	C**	D	E	F	Weight (lbs)	Actuator
1/2	2.59	6.04	10.94	0.50	1.91	3.33	48	VPVL100SR4/5
3/4	3.69	8.01	12.64	0.88	1.99	3.66	55	VPVL200SR4/5
1	4.22	8.01	12.77	1.00	1.99	3.66	57	VPVL200SR4/5
1-1/4	4.58	9.49	13.86	1.25	2.22	4.17	64	VPVL250SR4/5
1-1/2	5.11	10.20	14.51	1.50	2.48	4.67	72	VPVL300SR4/5

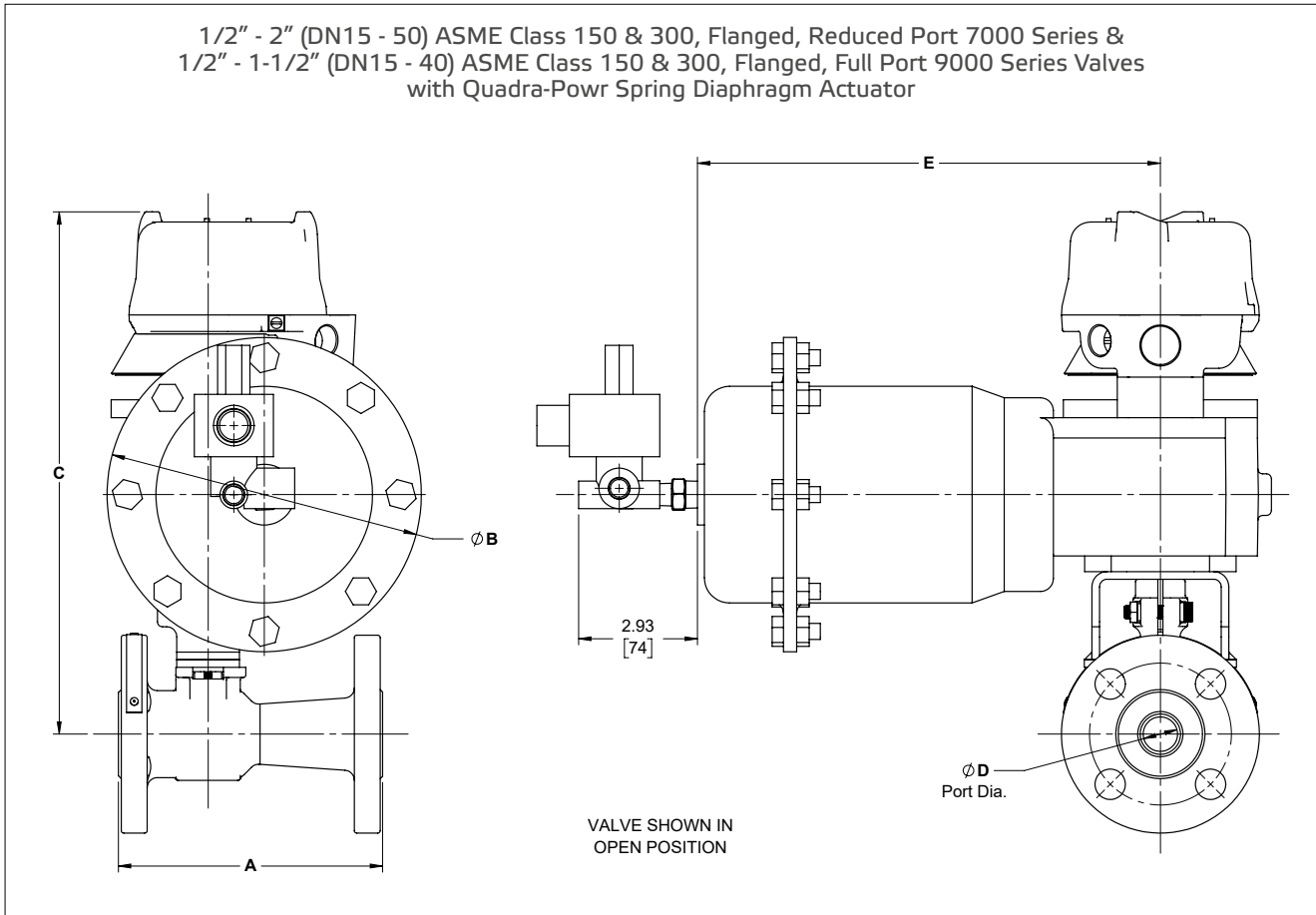
**= Add 2.12" for QX4V Limit Switch Models

4000 Full Port, Screwed End & Socket Weld with VPVL Actuator, Reduced Rating - millimeters								
Valve Size (DN)	A (Socket & NPT)	B	C**	D	E	F	Weight (kg)	Actuator
15	66	153	278	13	48	85	22	VPVL100SR4/5
20	94	203	321	22	50	93	25	VPVL200SR4/5
25	107	203	324	25	50	93	26	VPVL200SR4/5
32	116	241	352	32	56	106	29	VPVL250SR4/5
40	130	259	369	38	63	119	33	VPVL300SR4/5

**= Add 54mm for QX4V Limit Switch Models

Figure 1052 – FM Approved, Automatic safety shut-off and vent valves for liquid and gas burners and appliances

Dimensions



7000 Series, ASME Class 150, Flanged, Reduced Port with QPX Actuator - inches							
Valve Size (inches)	A	B	C**	D	E	Weight (lbs)	Actuator
1/2	4.25	7.75	12.41	0.50	14.17	76	QPX1C/MC
3/4	4.63	7.75	12.57	0.69	14.17	77	QPX1C/MC
1	5.00	7.75	13.06	0.88	14.17	80	QPX1C/MC
1-1/2	6.50	8.98	13.88	1.25	16.93	99	QPX2C/MC
2	7.00	8.98	14.06	1.50	16.93	104	QPX2C/MC

**= Add 2.12" for QX4V Limit Switch Models

7000 Series, ASME Class 150, Flanged, Reduced Port with QPX Actuator - millimeters							
Valve Size (DN)	A	B	C**	D	E	Weight (kg)	Actuator
15	108	197	315	13	360	34	QPX1C/MC
20	118	197	319	18	360	35	QPX1C/MC
25	127	197	332	22	360	36	QPX1C/MC
40	165	228	353	32	430	45	QPX2C/MC
50	178	228	357	38	430	47	QPX2C/MC

**= Add 54mm for QX4V Limit Switch Models

7000 Series, ASME Class 300, Flanged, Reduced Port with QPX Actuator - inches							
Valve Size (inches)	A	B	C**	D	E	Weight (lbs)	Actuator
1/2	5.50	7.75	12.41	0.50	14.17	79	QPX1C/MC
3/4	6.00	7.75	12.57	0.69	14.17	81	QPX1C/MC
1	6.50	7.75	13.06	0.88	14.17	83	QPX1C/MC
1-1/2	7.50	8.98	13.88	1.25	16.93	104	QPX2C/MC
2	8.50	8.98	14.06	1.50	16.93	111	QPX2C/MC

**= Add 2.12" for QX4V Limit Switch Models

7000 Series, ASME Class 300, Flanged, Reduced Port with QPX Actuator - millimeters							
Valve Size (DN)	A	B	C**	D	E	Weight (kg)	Actuator
15	140	197	315	13	360	36	QPX1C/MC
20	152	197	319	18	360	37	QPX1C/MC
25	165	197	332	22	360	37	QPX1C/MC
40	191	228	353	32	430	47	QPX2C/MC
50	216	228	357	38	430	50	QPX2C/MC

**= Add 54mm for QX4V Limit Switch Models

Figure 1052 – FM Approved, Automatic safety shut-off and vent valves for liquid and gas burners and appliances

7000 Series, ASME Class 300 (Short Pattern), Flanged, Reduced Port with QPX Actuator - inches							
Valve Size (inches)	A	B	C**	D	E	Weight (lbs)	Actuator
1/2	4.25	7.75	12.41	0.50	14.17	78	QPX1C/MC
3/4	4.63	7.75	12.57	0.69	14.17	81	QPX1C/MC
1	5.00	7.75	13.06	0.88	14.17	83	QPX1C/MC
1-1/2	6.50	8.98	13.88	1.25	16.93	106	QPX2C/MC
2	7.00	8.98	14.06	1.50	16.93	110	QPX2C/MC

**= Add 2.12" for QX4V Limit Switch Models

7000 Series, ASME Class 300 (Short Pattern), Flanged, Reduced Port with QPX Actuator - millimeters							
Valve Size (DN)	A	B	C**	D	E	Weight (kg)	Actuator
15	108	197	315	13	360	35	QPX1C/MC
20	118	197	319	18	360	37	QPX1C/MC
25	127	197	332	22	360	37	QPX1C/MC
40	165	228	353	32	430	48	QPX2C/MC
50	178	228	357	38	430	50	QPX2C/MC

**= Add 54mm for QX4V Limit Switch Models

9000 Series, ASME Class 150, Flanged, Full Port with QPX Actuator - inches							
Valve Size (inches)	A	B	C**	D	E	Weight (lbs)	Actuator
1/2	4.25	7.75	12.41	0.50	14.17	76	QPX1C/MC
3/4	4.63	7.75	13.06	0.88	14.17	83	QPX1C/MC
1	5.00	7.75	13.19	1.00	14.17	86	QPX1C/MC
1-1/2	6.50	8.98	14.06	1.50	16.93	105	QPX2C/MC

**= Add 2.12" for QX4V Limit Switch Models

9000 Series, ASME Class 150, Flanged, Full Port with QPX Actuator - millimeters							
Valve Size (DN)	A	B	C**	D	E	Weight (kg)	Actuator
15	108	197	315	13	360	34	QPX1C/MC
20	118	197	332	22	360	38	QPX1C/MC
25	127	197	335	25	360	39	QPX1C/MC
40	165	228	357	38	430	48	QPX2C/MC

**= Add 54mm for QX4V Limit Switch Models

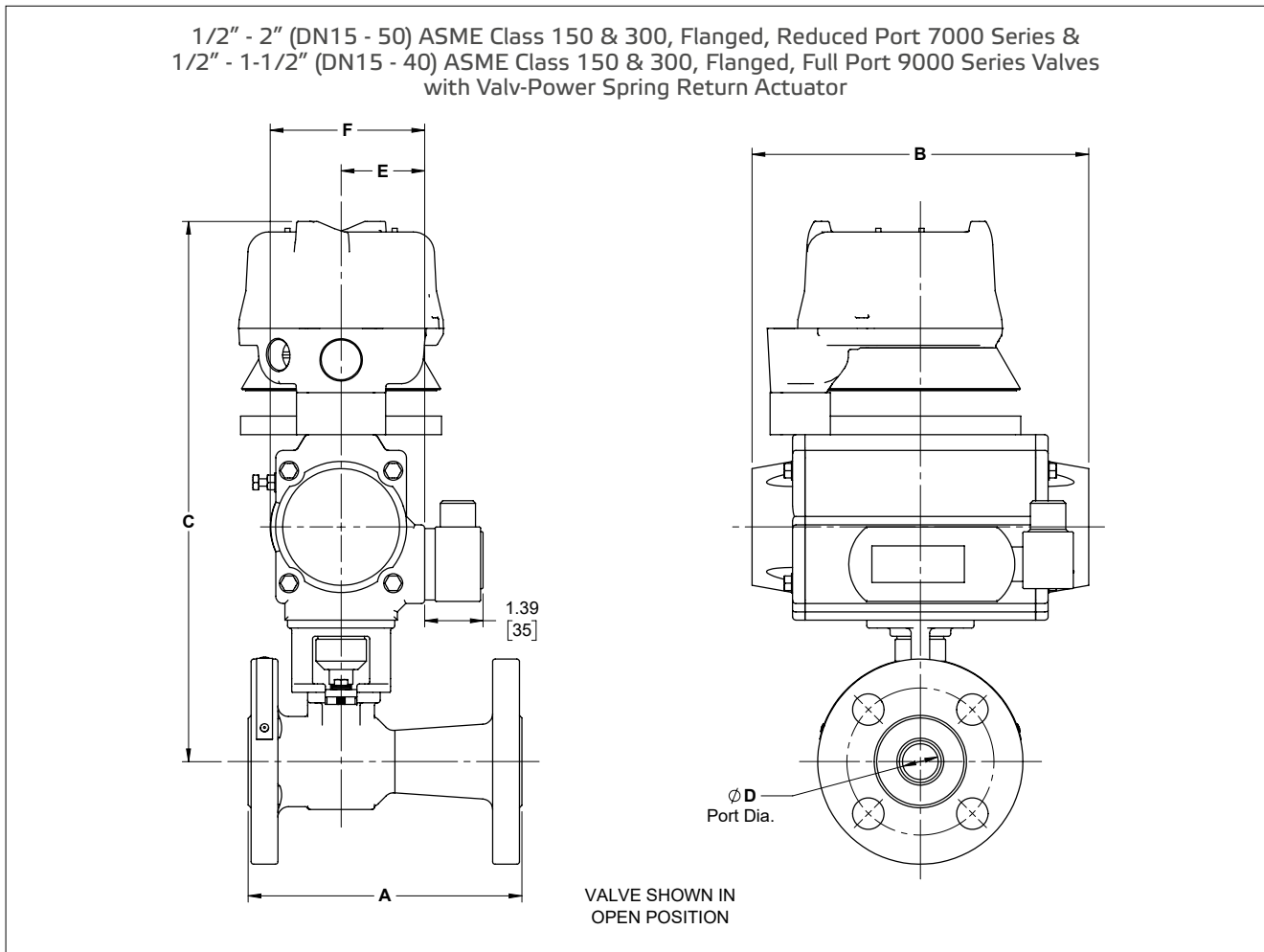
9000 Series, ASME Class 300, Flanged, Full Port with QPX Actuator - inches							
Valve Size (inches)	A	B	C**	D	E	Weight (lbs)	Actuator
1/2	5.50	7.75	12.41	0.50	14.17	79	QPX1C/MC
3/4	6.00	7.75	13.06	0.88	14.17	86	QPX1C/MC
1	6.50	7.75	13.19	1.00	14.17	91	QPX1C/MC
1-1/2	7.50	8.98	14.06	1.50	16.93	111	QPX2C/MC

**= Add 2.12" for QX4V Limit Switch Models

9000 Series, ASME Class 300, Flanged, Full Port with QPX Actuator - millimeters							
Valve Size (DN)	A	B	C**	D	E	Weight (kg)	Actuator
15	140	197	315	13	360	36	QPX1C/MC
20	152	197	332	22	360	39	QPX1C/MC
25	165	197	335	25	360	41	QPX1C/MC
40	191	228	357	38	430	50	QPX2C/MC

**= Add 54mm for QX4V Limit Switch Models

Dimensions



7000 Series, ASME Class 150, Flanged, Reduced Port with VPVL Actuator - inches								
Valve Size (inches)	A	B	C**	D	E	F	Weight (lbs)	Actuator
1/2	4.25	6.04	12.18	0.50	1.91	3.33	50	VPVL100SR4/5
3/4	4.63	6.04	12.34	0.69	1.91	3.33	51	VPVL100SR4/5
1	5.00	8.01	12.39	0.88	1.99	3.66	57	VPVL200SR4/5
1-1/2	6.50	9.49	13.61	1.25	2.22	4.17	66	VPVL250SR4/5
2	7.00	10.20	14.26	1.50	2.48	4.67	74	VPVL300SR4/5

**= Add 2.12" for QX4V Limit Switch Models

7000 Series, ASME Class 150, Flanged, Reduced Port with VPVL Actuator - millimeters								
Valve Size (DN)	A	B	C**	D	E	F	Weight (kg)	Actuator
15	108	153	309	13	49	85	23	VPVL100SR4/5
20	118	153	313	18	49	85	23	VPVL100SR4/5
25	127	203	315	22	51	93	26	VPVL200SR4/5
40	165	241	346	32	56	106	30	VPVL250SR4/5
50	178	259	362	38	63	119	34	VPVL300SR4/5

**= Add 54mm for QX4V Limit Switch Models

7000 Series, ASME Class 300, Flanged, Reduced Port with VPVL Actuator - inches								
Valve Size (inches)	A	B	C**	D	E	F	Weight (lbs)	Actuator
1/2	5.50	6.04	12.18	0.50	1.91	3.33	53	VPVL100SR4/5
3/4	6.00	6.04	12.34	0.69	1.91	3.33	55	VPVL100SR4/5
1	6.50	8.01	12.39	0.88	1.99	3.66	60	VPVL200SR4/5
1-1/2	7.50	10.20	14.08	1.25	2.48	4.67	74	VPVL300SR4/5
2	8.50	11.97	14.97	1.50	2.84	5.35	90	VPVL350SR4/5

**= Add 2.12" for QX4V Limit Switch Models

7000 Series, ASME Class 300, Flanged, Reduced Port with VPVL Actuator - millimeters								
Valve Size (DN)	A	B	C**	D	E	F	Weight (kg)	Actuator
15	140	153	309	13	49	85	24	VPVL100SR4/5
20	152	153	313	18	49	85	25	VPVL100SR4/5
25	165	203	315	22	51	93	27	VPVL200SR4/5
40	191	259	358	32	63	119	34	VPVL300SR4/5
50	216	304	380	38	72	136	41	VPVL350SR4/5

**= Add 54mm for QX4V Limit Switch Models

Figure 1052 – FM Approved, Automatic safety shut-off and vent valves for liquid and gas burners and appliances

7000 Series, ASME Class 300 (Short Pattern), Flanged, Reduced Port with VPVL Actuator - inches								
Valve Size (inches)	A	B	C**	D	E	F	Weight (lbs)	Actuator
1/2	4.25	6.04	12.18	0.50	1.91	3.33	52	VPVL100SR4/5
3/4	4.63	6.04	12.34	0.69	1.91	3.33	55	VPVL100SR4/5
1	5.00	8.01	12.39	0.88	1.99	3.66	60	VPVL200SR4/5
1-1/2	6.50	10.20	14.08	1.25	2.48	4.67	76	VPVL300SR4/5
2	7.00	11.97	14.97	1.50	2.84	5.35	89	VPVL350SR4/5

**= Add 2.12" for QX4V Limit Switch Models

7000 Series, ASME Class 300 (Short Pattern), Flanged, Reduced Port with VPVL Actuator - millimeters								
Valve Size (DN)	A	B	C**	D	E	F	Weight (kg)	Actuator
15	108	153	309	13	49	85	23	VPVL100SR4/5
20	118	153	313	18	49	85	25	VPVL100SR4/5
25	127	203	315	22	51	93	27	VPVL200SR4/5
40	165	259	358	32	63	119	34	VPVL300SR4/5
50	178	304	380	38	72	136	40	VPVL350SR4/5

**= Add 54mm for QX4V Limit Switch Models

9000 Series, ASME Class 150, Flanged, Full Port with VPVL Actuator - inches								
Valve Size (inches)	A	B	C**	D	E	F	Weight (lbs)	Actuator
1/2	4.25	6.04	12.18	0.50	1.91	3.33	50	VPVL100SR4/5
3/4	4.63	8.01	12.39	0.88	1.99	3.66	60	VPVL200SR4/5
1	5.00	8.01	12.52	1.00	1.99	3.66	63	VPVL200SR4/5
1-1/2	6.50	10.20	14.26	1.50	2.48	4.67	75	VPVL300SR4/5

**= Add 2.12" for QX4V Limit Switch Models

9000 Series, ASME Class 150, Flanged, Full Port with VPVL Actuator - millimeters								
Valve Size (DN)	A	B	C**	D	E	F	Weight (kg)	Actuator
15	108	153	309	13	49	85	23	VPVL100SR4/5
20	118	203	315	22	51	93	27	VPVL200SR4/5
25	127	203	318	25	51	93	29	VPVL200SR4/5
40	165	259	362	38	63	119	34	VPVL300SR4/5

**= Add 54mm for QX4V Limit Switch Models

9000 Series, ASME Class 300, Flanged, Full Port with VPVL Actuator - inches								
Valve Size (inches)	A	B	C**	D	E	F	Weight (lbs)	Actuator
1/2	5.50	6.04	12.18	0.50	1.91	3.33	53	VPVL100SR4/5
3/4	6.00	8.01	12.39	0.88	1.99	3.66	63	VPVL200SR4/5
1	6.50	9.49	13.03	1.00	2.22	4.17	71	VPVL250SR4/5
1-1/2	7.50	11.97	14.97	1.50	2.84	5.35	90	VPVL350SR4/5

**= Add 2.12" for QX4V Limit Switch Models

9000 Series, ASME Class 300, Flanged, Full Port with VPVL Actuator - millimeters								
Valve Size (DN)	A	B	C**	D	E	F	Weight (kg)	Actuator
15	140	153	309	13	49	85	24	VPVL100SR4/5
20	152	203	315	22	51	93	29	VPVL200SR4/5
25	165	241	331	25	56	106	32	VPVL250SR4/5
40	191	304	380	38	72	136	41	VPVL350SR4/5

**= Add 54mm for QX4V Limit Switch Models

Dimensions

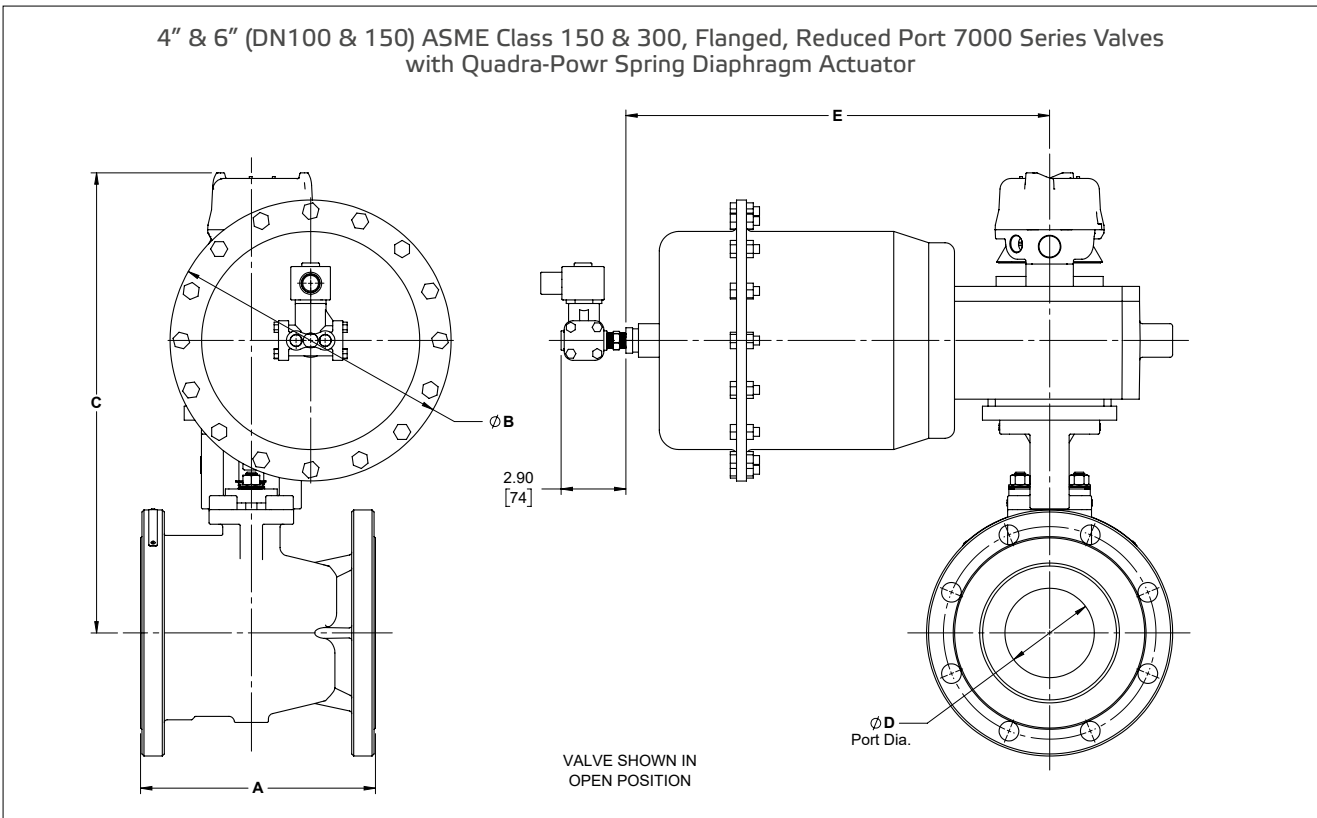
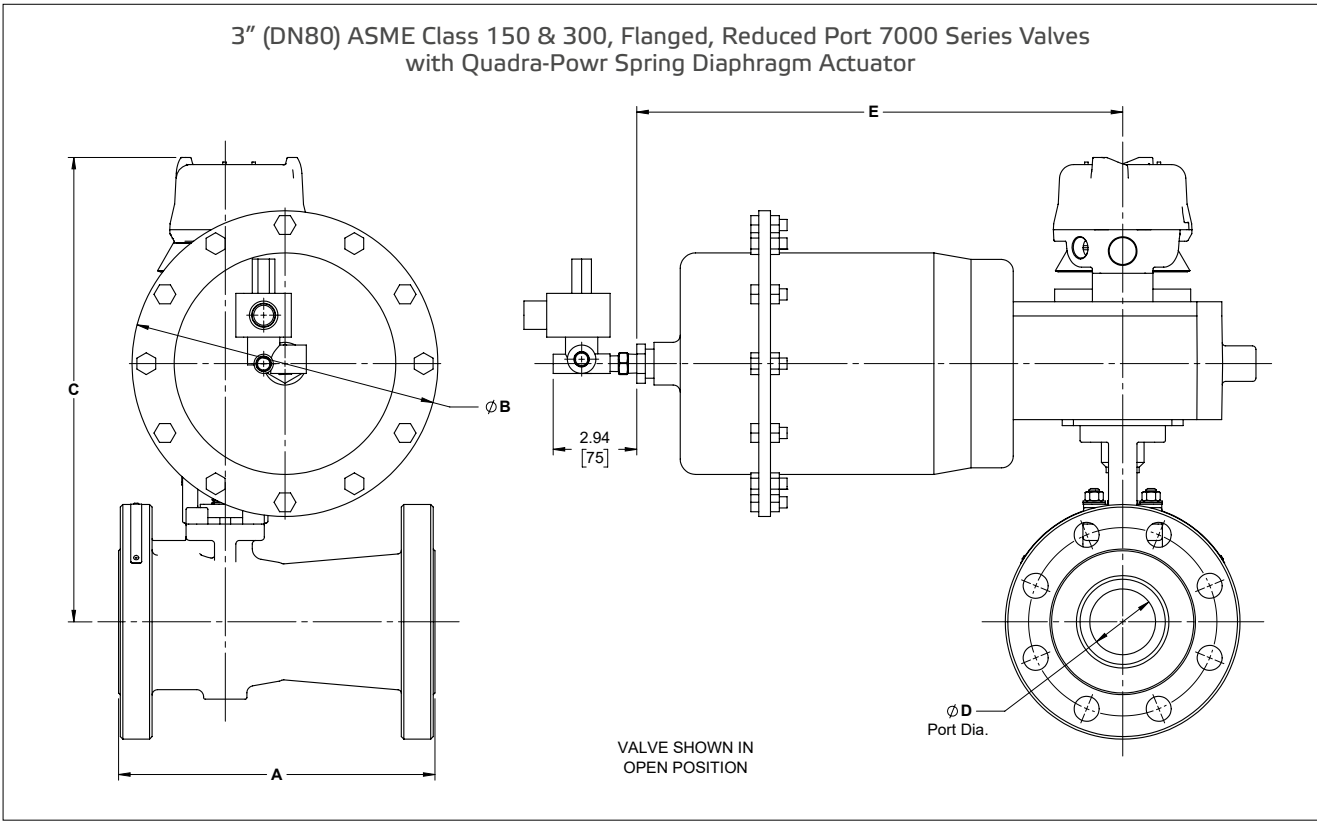
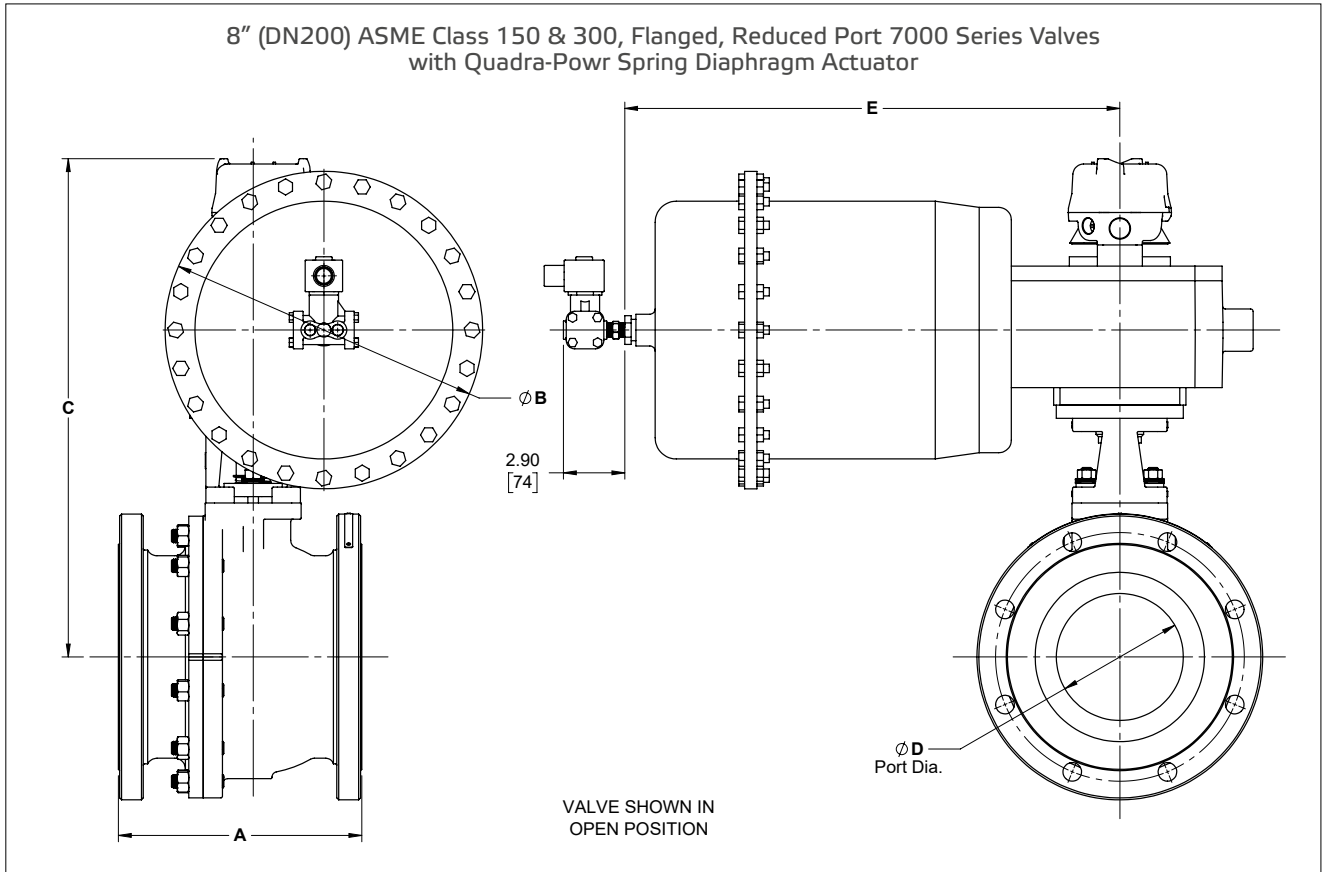


Figure 1052 – FM Approved, Automatic safety shut-off and vent valves for liquid and gas burners and appliances



7000 Series, ASME Class 150, Flanged, Reduced Port with QPX Actuator - inches							
Valve Size (inches)	A	B	C**	D	E	Weight (lbs)	Actuator
3	8.00	10.79	16.54	2.31	17.08	159	QPX3C/MC
4	9.00	12.60	18.63	3.00	18.94	243	QPX4C/MC
6	10.50	12.60	20.74	4.00	18.94	311	QPX4C/MC
8	11.50	15.04	27.83	6.00	23.39	595	QPX5C/MC

**= Add 2.12" for QX4V Limit Switch Models

7000 Series, ASME Class 150, Flanged, Reduced Port with QPX Actuator - millimeters							
Valve Size (DN)	A	B	C**	D	E	Weight (kg)	Actuator
80	203	274	420	59	434	72	QPX3C/MC
100	229	320	473	76	481	110	QPX4C/MC
150	267	320	527	102	481	141	QPX4C/MC
200	292	382	707	152	594	270	QPX5C/MC

**= Add 54mm for QX4V Limit Switch Models

7000 Series, ASME Class 300, Flanged, Reduced Port with QPX Actuator - inches							
Valve Size (inches)	A	B	C**	D	E	Weight (lbs)	Actuator
3	11.12	10.79	16.55	2.31	17.08	181	QPX3C/MC
4	12.00	12.60	19.92	3.00	18.94	280	QPX4C/MC
6	15.88	15.04	20.89	4.00	23.39	498	QPX5C/MC
8	19.75	15.04	26.18	6.00	23.39	727	QPX5C/MC

**= Add 2.12" for QX4V Limit Switch Models

7000 Series, ASME Class 300, Flanged, Reduced Port with QPX Actuator - millimeters							
Valve Size (DN)	A	B	C**	D	E	Weight (kg)	Actuator
80	282	274	420	59	434	82	QPX3C/MC
100	305	320	506	76	481	127	QPX4C/MC
150	403	382	531	102	594	226	QPX5C/MC
200	502	382	665	152	594	330	QPX5C/MC

**= Add 54mm for QX4V Limit Switch Models

7000 Series, ASME Class 300 (Short Pattern), Flanged, Reduced Port with QPX Actuator - inches							
Valve Size (inches)	A	B	C**	D	E	Weight (lbs)	Actuator
3	8.00	10.79	16.55	2.31	17.08	174	QPX3C/MC
4	9.00	12.60	19.92	3.00	18.94	271	QPX4C/MC
6	10.50	15.04	22.10	4.00	23.39	461	QPX5C/MC
8	11.50	15.04	26.18	6.00	23.39	626	QPX5C/MC

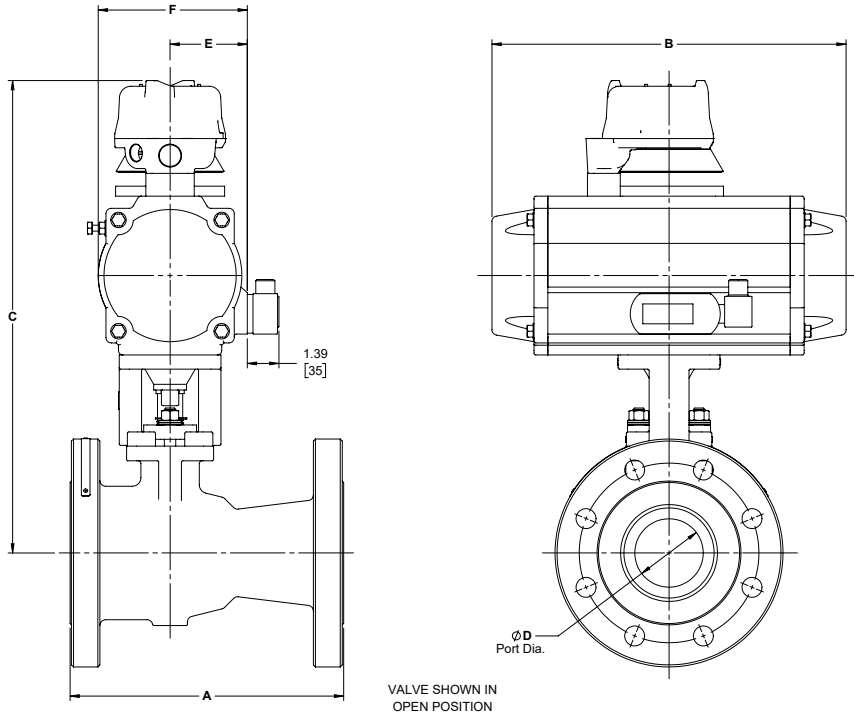
**= Add 2.12" for QX4V Limit Switch Models

7000 Series, ASME Class 300 (Short Pattern), Flanged, Reduced Port with QPX Actuator - millimeters							
Valve Size (DN)	A	B	C**	D	E	Weight (kg)	Actuator
80	203	274	420	59	434	79	QPX3C/MC
100	229	320	506	76	481	123	QPX4C/MC
150	267	382	561	102	594	209	QPX5C/MC
200	292	382	665	152	594	284	QPX5C/MC

**= Add 54mm for QX4V Limit Switch Models

Dimensions

3" - 6" (DN80 - 150) ASME Class 150 & 300, Flanged, Reduced Port 7000 Series Valves with Valv-Power Spring Return Actuator



8" (DN200) ASME Class 150 & 300, Flanged, Reduced Port 7000 Series Valves with Valv-Power Spring Return Actuator

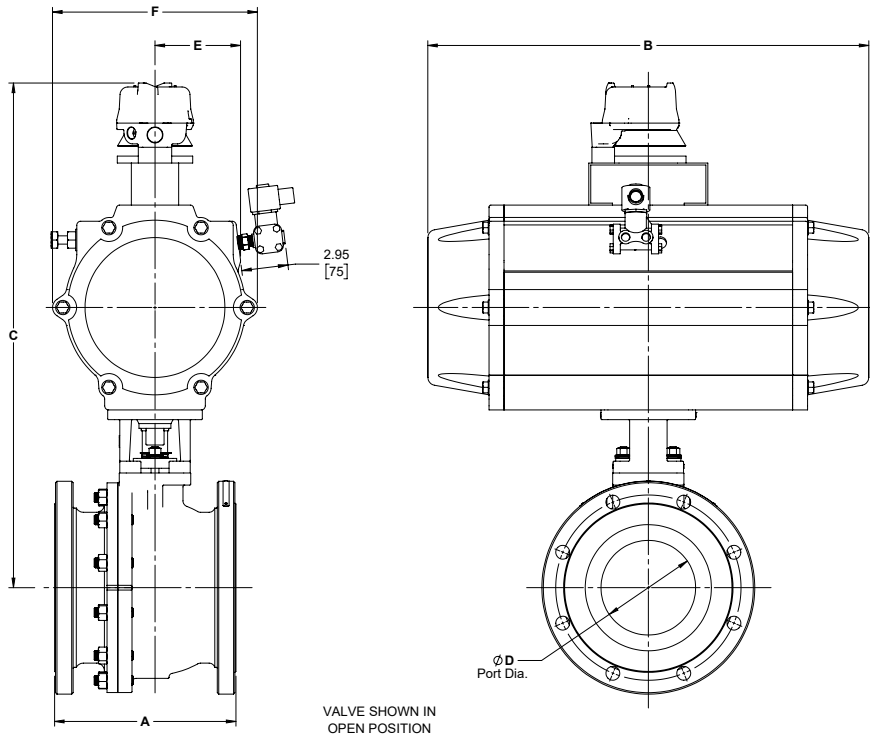


Figure 1052 – FM Approved, Automatic safety shut-off and vent valves for liquid and gas burners and appliances

7000 Series, ASME Class 150, Flanged, Reduced Port with VPVL Actuator - inches								
Valve Size (inches)	A	B	C**	D	E	F	Weight (lbs)	Actuator
3	8.00	13.11	18.11	2.31	3.03	5.77	119	VPVL400SR4/5
4	9.00	15.53	19.37	3.00	3.39	6.54	157	VPVL450SR4/5
6	10.50	20.79	26.83	4.00	4.39	8.58	293	VPVL600SR4/5
8	11.50	27.95	36.05	6.00	5.43	12.99	599	VPVL700SR4/5

**= Add 2.12" for QX4V Limit Switch Models

7000 Series, ASME Class 150, Flanged, Reduced Port with VPVL Actuator - millimeters								
Valve Size (DN)	A	B	C**	D	E	F	Weight (kg)	Actuator
80	203	333	460	59	77	147	54	VPVL400SR4/5
100	229	394	492	76	86	166	71	VPVL450SR4/5
150	267	528	681	102	112	218	133	VPVL600SR4/5
200	292	710	916	152	138	330	272	VPVL700SR4/5

**= Add 54mm for QX4V Limit Switch Models

7000 Series, ASME Class 300, Flanged, Reduced Port with VPVL Actuator - inches								
Valve Size (inches)	A	B	C**	D	E	F	Weight (lbs)	Actuator
3	11.12	13.11	18.12	2.31	3.03	5.77	141	VPVL400SR4/5
4	12.00	15.53	20.66	3.00	3.39	6.54	195	VPVL450SR4/5
6	15.88	20.79	26.98	4.00	4.39	8.58	369	VPVL600SR4/5
8	19.75	27.95	34.40	6.00	5.43	12.99	731	VPVL700SR4/5

**= Add 2.12" for QX4V Limit Switch Models

7000 Series, ASME Class 300, Flanged, Reduced Port with VPVL Actuator - millimeters								
Valve Size (DN)	A	B	C**	D	E	F	Weight (kg)	Actuator
80	282	333	460	59	77	147	64	VPVL400SR4/5
100	305	394	525	76	86	166	89	VPVL450SR4/5
150	403	528	685	102	112	218	167	VPVL600SR4/5
200	502	710	874	152	138	330	332	VPVL700SR4/5

**= Add 54mm for QX4V Limit Switch Models

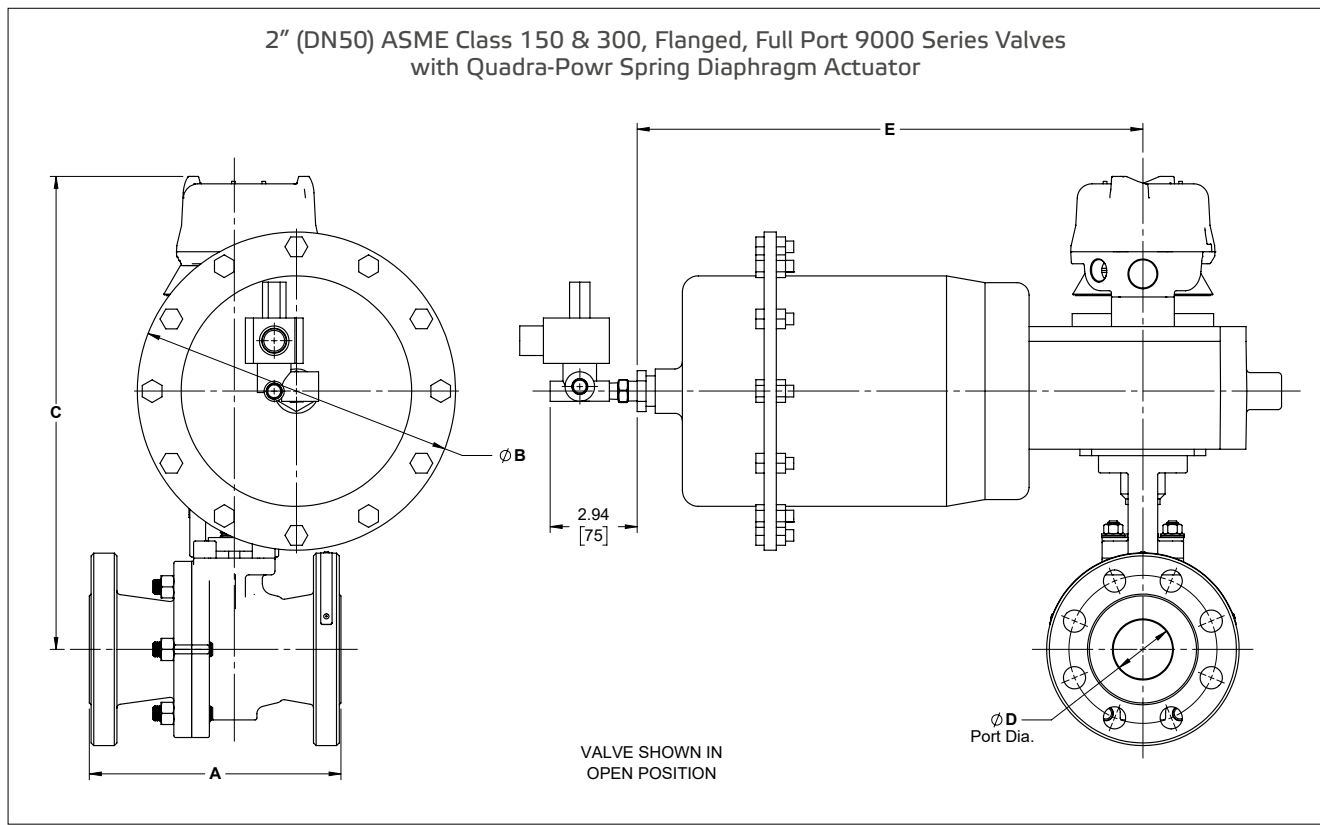
7000 Series, ASME Class 300 (Short Pattern), Flanged, Reduced Port with VPVL Actuator - inches								
Valve Size (inches)	A	B	C**	D	E	F	Weight (lbs)	Actuator
3	8.00	13.11	18.12	2.31	3.03	5.77	134	VPVL400SR4/5
4	9.00	15.53	20.66	3.00	3.39	6.54	185	VPVL450SR4/5
6	10.50	20.79	26.98	4.00	4.39	8.58	332	VPVL600SR4/5
8	11.50	27.95	34.40	6.00	5.43	12.99	631	VPVL700SR4/5

**= Add 2.12" for QX4V Limit Switch Models

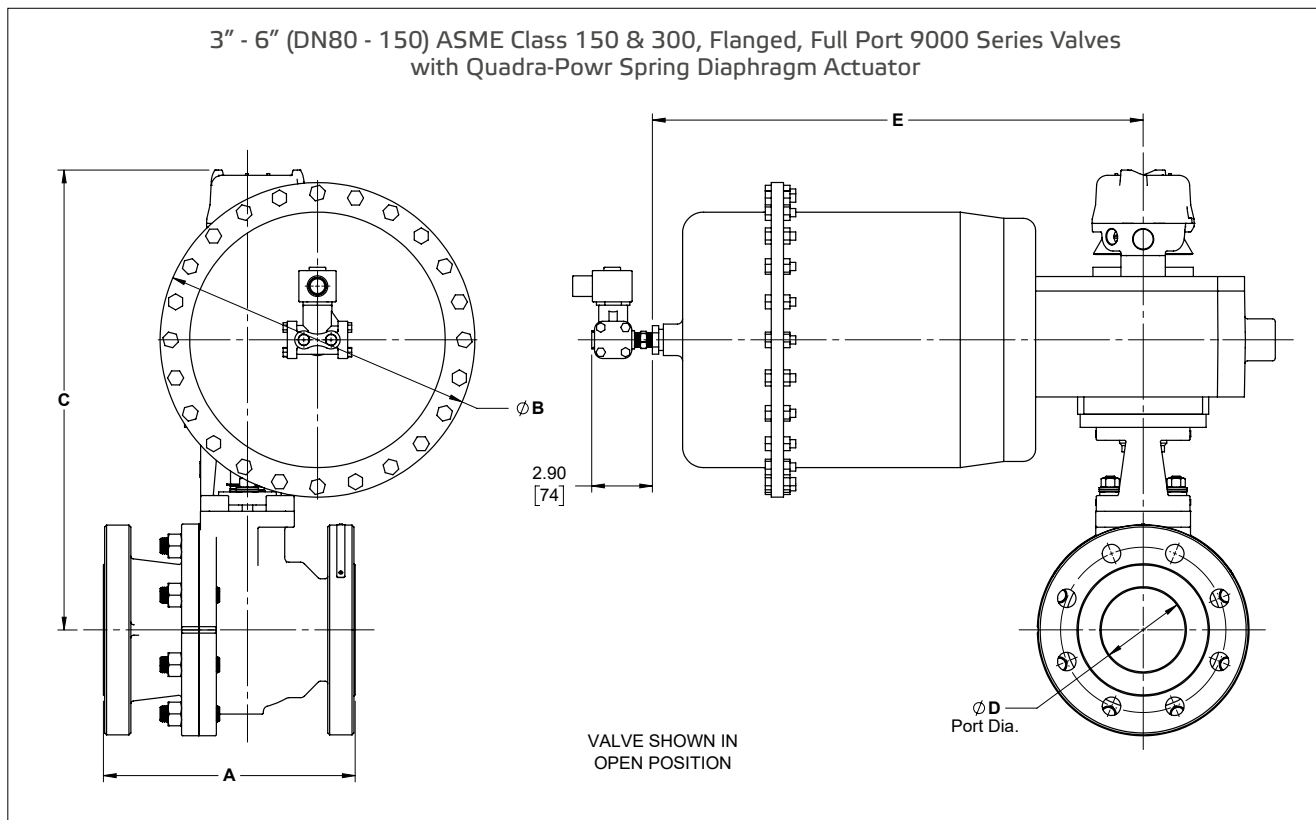
7000 Series, ASME Class 300 (Short Pattern), Flanged, Reduced Port with VPVL Actuator - millimeters								
Valve Size (DN)	A	B	C**	D	E	F	Weight (kg)	Actuator
80	203	333	460	59	77	147	61	VPVL400SR4/5
100	229	394	525	76	86	166	84	VPVL450SR4/5
150	267	528	685	102	112	218	151	VPVL600SR4/5
200	292	710	874	152	138	330	286	VPVL700SR4/5

**= Add 54mm for QX4V Limit Switch Models

Dimensions



Dimensions



9000 Series, ASME Class 150, Flanged, Full Port with QPX Actuator - inches							
Valve Size (inches)	A	B	C**	D	E	Weight (lbs)	Actuator
2	7.00	10.79	16.20	2.00	17.08	148	QPX3C/MC
3	8.00	12.60	18.63	3.00	18.94	227	QPX4C/MC
4	9.00	12.60	20.74	4.00	18.94	273	QPX4C/MC
6	15.50	15.04	23.71	6.00	23.39	553	QPX5C/MC

**= Add 2.12" for QX4V Limit Switch Models

9000 Series, ASME Class 150, Flanged, Full Port with QPX Actuator - millimeters							
Valve Size (DN)	A	B	C**	D	E	Weight (kg)	Actuator
50	178	274	411	51	434	67	QPX3C/MC
80	203	320	473	76	481	103	QPX4C/MC
100	229	320	527	102	481	124	QPX4C/MC
150	394	382	602	152	594	251	QPX5C/MC

**= Add 54mm for QX4V Limit Switch Models

9000 Series, ASME Class 300, Flanged, Full Port with QPX Actuator - inches							
Valve Size (inches)	A	B	C**	D	E	Weight (lbs)	Actuator
2	8.50	10.79	16.20	2.00	17.08	157	QPX3C/MC
3	11.12	12.60	19.92	3.00	18.94	260	QPX4C/MC
4	12.00	15.04	22.10	4.00	23.39	434	QPX5C/MC
6	15.88	15.04	26.18	6.00	23.39	636	QPX5C/MC

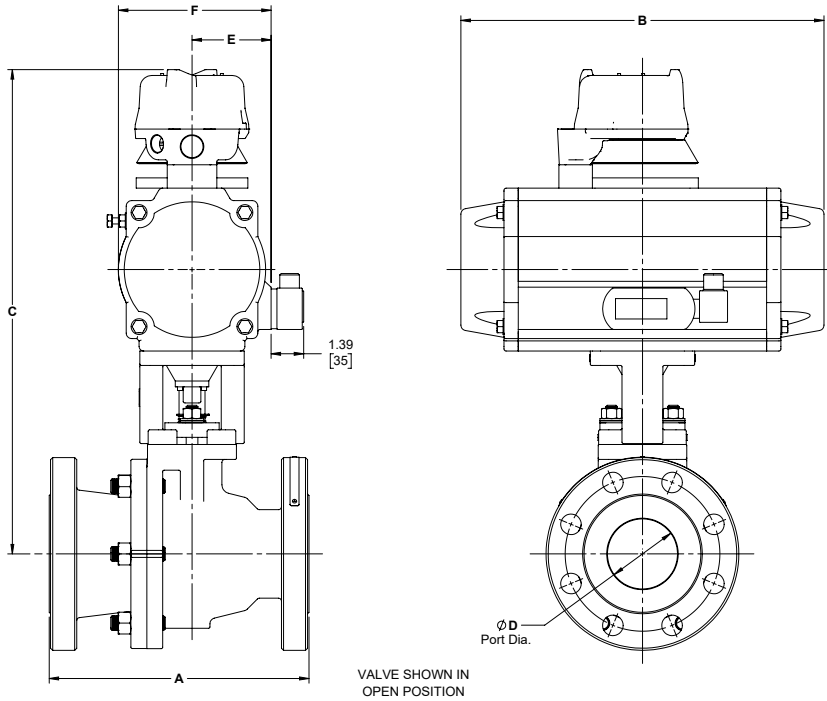
**= Add 2.12" for QX4V Limit Switch Models

9000 Series, ASME Class 300, Flanged, Full Port with QPX Actuator - millimeters							
Valve Size (DN)	A	B	C**	D	E	Weight (kg)	Actuator
50	216	274	411	51	434	71	QPX3C/MC
80	282	320	506	76	481	118	QPX4C/MC
100	305	382	561	102	594	197	QPX5C/MC
150	403	382	665	152	594	289	QPX5C/MC

**= Add 54mm for QX4V Limit Switch Models

Dimensions

2" - 4" (DN50 - 100) ASME Class 150 & 300, Flanged, Full Port 9000 Series Valves with Valv-Power Spring Return Actuator



6" (DN150) ASME Class 150 & 300, Flanged, Full Port 9000 Series Valves with Valv-Power Spring Return Actuator

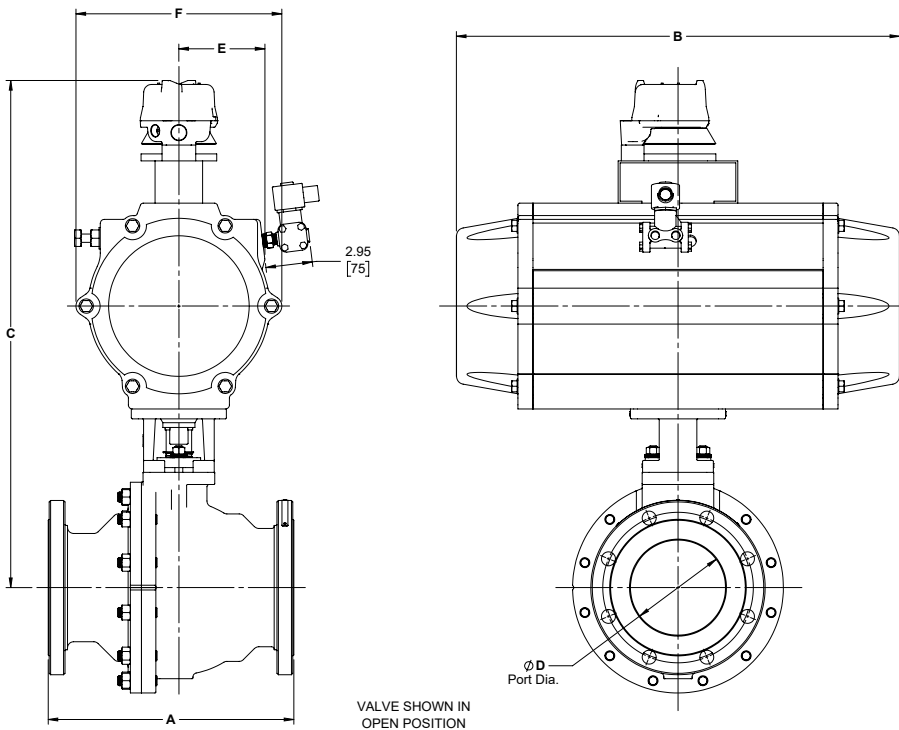


Figure 1052 – FM Approved, Automatic safety shut-off and vent valves for liquid and gas burners and appliances

9000 Series, ASME Class 150, Flanged, Full Port with VPVL Actuator - inches								
Valve Size (inches)	A	B	C**	D	E	F	Weight (lbs)	Actuator
2	7.00	11.97	17.30	2.00	2.84	5.35	101	VPVL350SR4/5
3	8.00	15.53	19.37	3.00	3.39	6.54	142	VPVL450SR4/5
4	9.00	20.79	26.83	4.00	4.39	8.58	254	VPVL600SR4/5
6	15.50	27.95	31.93	6.00	5.43	12.99	557	VPVL700SR4/5

**= Add 2.12" for QX4V Limit Switch Models

9000 Series, ASME Class 150, Flanged, Full Port with VPVL Actuator - millimeters								
Valve Size (DN)	A	B	C**	D	E	F	Weight (kg)	Actuator
50	178	304	439	51	72	136	46	VPVL350SR4/5
80	203	394	492	76	86	166	64	VPVL450SR4/5
100	229	528	681	102	112	218	115	VPVL600SR4/5
150	394	710	811	152	138	330	253	VPVL700SR4/5

**= Add 54mm for QX4V Limit Switch Models

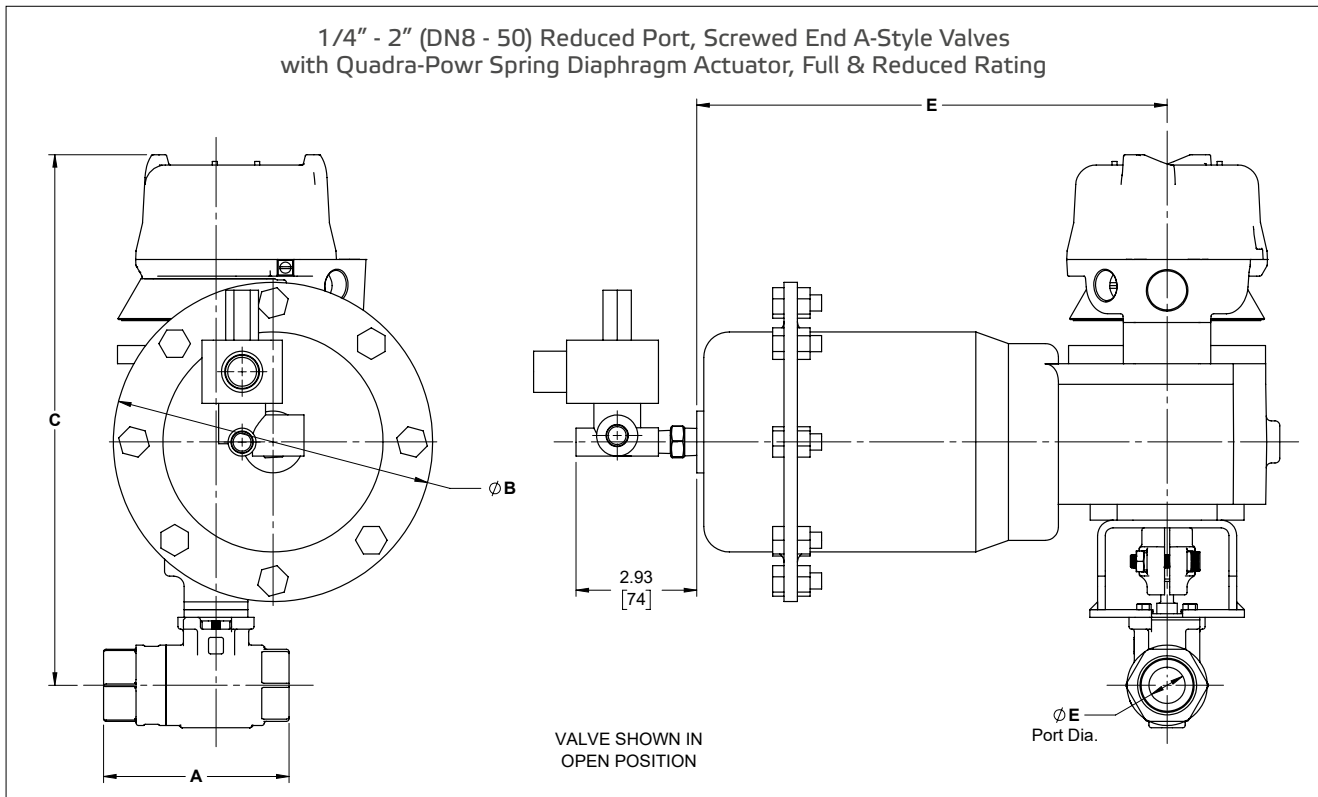
9000 Series, ASME Class 300, Flanged, Full Port with VPVL Actuator - inches								
Valve Size (inches)	A	B	C**	D	E	F	Weight (lbs)	Actuator
2	8.50	11.97	17.30	2.00	2.84	5.35	110	VPVL350SR4/5
3	11.12	15.53	20.66	3.00	3.39	6.54	174	VPVL450SR4/5
4	12.00	20.79	26.98	4.00	4.39	8.58	305	VPVL600SR4/5
6	15.88	27.95	34.40	6.00	5.43	12.99	641	VPVL700SR4/5

**= Add 2.12" for QX4V Limit Switch Models

9000 Series, ASME Class 300, Flanged, Full Port with VPVL Actuator - millimeters								
Valve Size (DN)	A	B	C**	D	E	F	Weight (kg)	Actuator
50	216	304	439	51	72	136	50	VPVL350SR4/5
80	282	394	525	76	86	166	79	VPVL450SR4/5
100	305	528	685	102	112	218	139	VPVL600SR4/5
150	403	710	874	152	138	330	291	VPVL700SR4/5

**= Add 54mm for QX4V Limit Switch Models

Dimensions



A-Style Reduced Port, Screwed end with QPX Actuator, Full Rating - inches							
Valve Size (inches)	A	B	C**	D	E	Weight (lbs)	Actuator
1/4	2.94	7.75	12.41	0.43	14.17	74	QPX1C/MC
3/8	2.94	7.75	12.41	0.43	14.17	74	QPX1C/MC
1/2	3.44	7.75	12.41	0.50	14.17	74	QPX1C/MC
3/4	3.81	7.75	12.57	0.69	14.17	75	QPX1C/MC
1	4.50	7.75	13.06	0.88	14.17	76	QPX1C/MC
1-1/4	4.44	7.75	13.19	1.00	14.17	76	QPX1C/MC
1-1/2	4.56	8.98	13.88	1.25	16.93	92	QPX2C/MC
2	5.00	10.79	14.55	1.50	21.77	123	QPX3C/MC

**= Add 2.12" for QX4V Limit Switch Models

A-Style Reduced Port, Screwed end with QPX Actuator, Full Rating - millimeters							
Valve Size (DN)	A	B	C**	D	E	Weight (kg)	Actuator
8	75	197	315	11	360	33	QPX1C/MC
10	75	197	315	11	360	33	QPX1C/MC
15	87	197	315	13	360	33	QPX1C/MC
20	97	197	319	18	360	34	QPX1C/MC
25	114	197	332	22	360	34	QPX1C/MC
32	113	197	335	25	360	35	QPX1C/MC
40	116	228	353	32	430	42	QPX2C/MC
50	127	274	370	38	553	56	QPX3C/MC

**= Add 54mm for QX4V Limit Switch Models

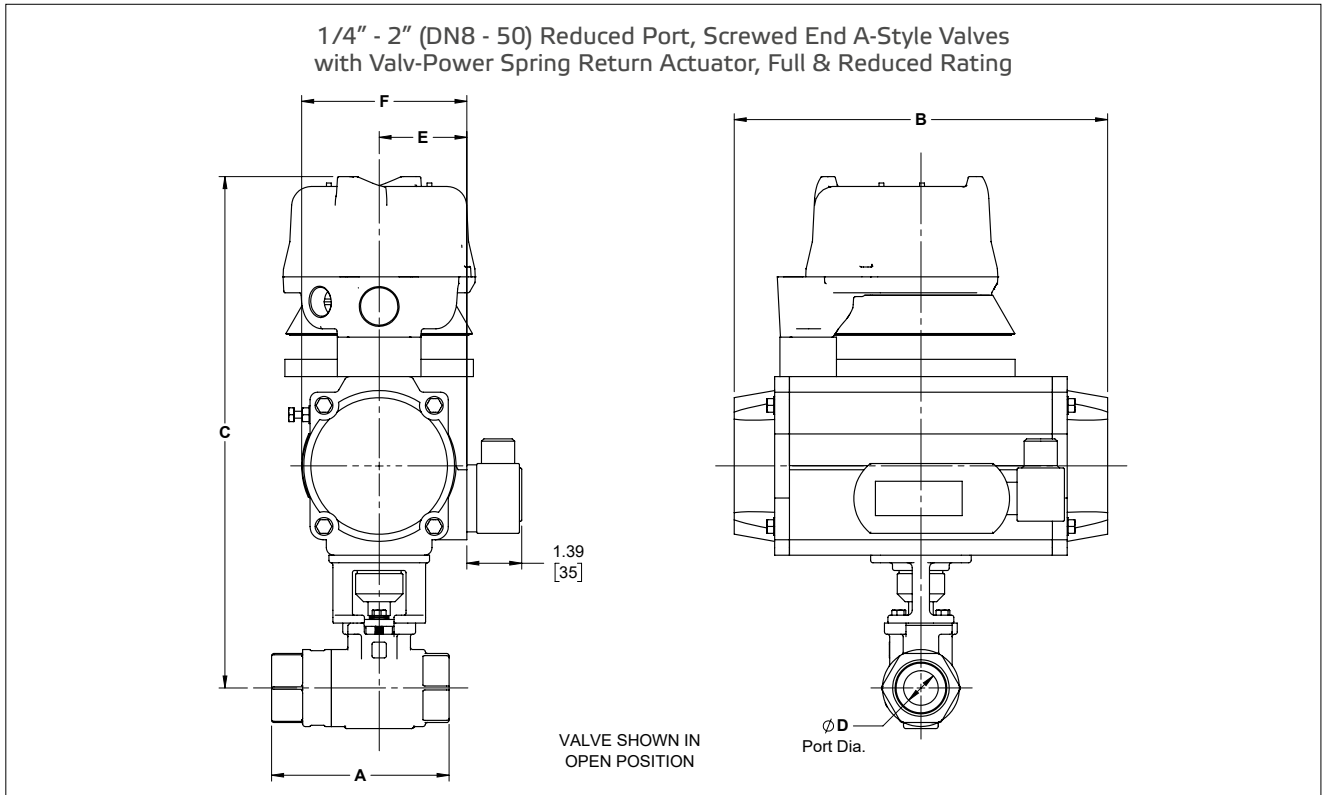
A-Style Reduced Port, Screwed end with QPX Actuator, Reduced Rating - inches							
Valve Size (inches)	A	B	C**	D	E	Weight (lbs)	Actuator
1/4	2.94	7.75	12.41	0.43	14.17	74	QPX1C/MC
3/8	2.94	7.75	12.41	0.43	14.17	74	QPX1C/MC
1/2	3.44	7.75	12.41	0.50	14.17	74	QPX1C/MC
3/4	3.81	7.75	12.57	0.69	14.17	75	QPX1C/MC
1	4.50	7.75	13.06	0.88	14.17	76	QPX1C/MC
1-1/4	4.44	7.75	13.19	1.00	14.17	76	QPX1C/MC
1-1/2	4.56	8.98	13.88	1.25	16.93	92	QPX2C/MC
2	5.00	8.98	14.06	1.50	16.93	94	QPX2C/MC

**= Add 2.12" for QX4V Limit Switch Models

A-Style Reduced Port, Screwed end with QPX Actuator, Reduced Rating - millimeters							
Valve Size (DN)	A	B	C**	D	E	Weight (kg)	Actuator
8	75	197	315	11	360	33	QPX1C/MC
10	75	197	315	11	360	33	QPX1C/MC
15	87	197	315	13	360	33	QPX1C/MC
20	97	197	319	18	360	34	QPX1C/MC
25	114	197	332	22	360	34	QPX1C/MC
32	113	197	335	25	360	35	QPX1C/MC
40	116	228	353	32	430	42	QPX2C/MC
50	127	228	357	38	430	43	QPX2C/MC

**= Add 54mm for QX4V Limit Switch Models

Dimensions



A-Style, Reduced Port, Screwed End with VPVL Actuator, Full Rating - inches								
Valve Size (inches)	A	B	C**	D	E	F	Weight (lbs)	Actuator
1/4	2.94	6.04	12.18	0.43	1.91	3.33	47	VPVL100SR4/5
3/8	2.94	6.04	12.18	0.43	1.91	3.33	47	VPVL100SR4/5
1/2	3.44	6.04	12.18	0.50	1.91	3.33	48	VPVL100SR4/5
3/4	3.81	8.01	11.52	0.69	1.99	3.66	52	VPVL200SR4/5
1	4.50	9.49	12.90	0.88	2.22	4.17	56	VPVL250SR4/5
1-1/4	4.44	11.97	14.21	1.00	2.84	5.35	69	VPVL350SR4/5
1-1/2	4.56	13.11	15.26	1.25	3.03	5.77	79	VPVL400SR4/5
2	5.00	15.53	16.23	1.50	3.39	6.54	93	VPVL450SR4/5

**= Add 2.12" for QX4V Limit Switch Models

A-Style, Reduced Port, Screwed End with VPVL Actuator, Full Rating - millimeters								
Valve Size (DN)	A	B	C**	D	E	F	Weight (kg)	Actuator
8	75	153	309	11	48	85	22	VPVL100SR4/5
10	75	153	309	11	48	85	22	VPVL100SR4/5
15	87	153	309	13	48	85	22	VPVL100SR4/5
20	97	203	293	18	50	93	23	VPVL200SR4/5
25	114	241	328	22	56	106	26	VPVL250SR4/5
32	113	304	361	25	72	136	31	VPVL350SR4/5
40	116	333	388	32	77	147	36	VPVL400SR4/5
50	127	394	412	38	86	166	42	VPVL450SR4/5

**= Add 54mm for QX4V Limit Switch Models

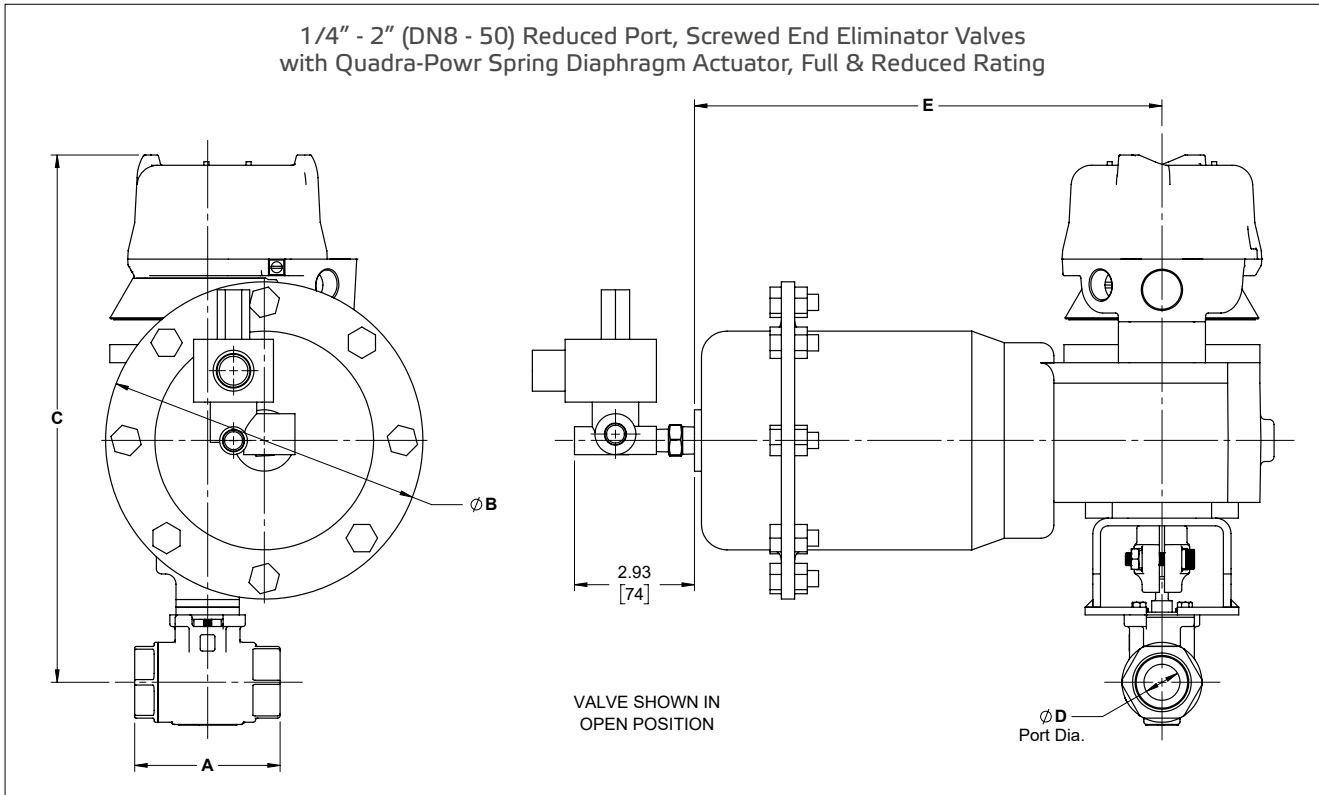
A-Style, Reduced Port, Screwed End with VPVL Actuator, Reduced Rating - inches								
Valve Size (inches)	A	B	C**	D	E	F	Weight (lbs)	Actuator
1/4	2.94	6.04	12.18	0.43	1.91	3.33	47	VPVL100SR4/5
3/8	2.94	6.04	12.18	0.43	1.91	3.33	47	VPVL100SR4/5
1/2	3.44	6.04	12.18	0.50	1.91	3.33	48	VPVL100SR4/5
3/4	3.81	6.04	12.34	0.69	1.91	3.33	49	VPVL100SR4/5
1	4.50	8.01	12.39	0.88	1.99	3.66	53	VPVL200SR4/5
1-1/4	4.44	8.01	12.52	1.00	1.99	3.66	53	VPVL200SR4/5
1-1/2	4.56	9.49	13.61	1.25	2.22	4.17	59	VPVL250SR4/5
2	5.00	10.20	14.26	1.50	2.48	4.67	64	VPVL300SR4/5

**= Add 2.12" for QX4V Limit Switch Models

A-Style, Reduced Port, Screwed End with VPVL Actuator, Reduced Rating - millimeters								
Valve Size (DN)	A	B	C**	D	E	F	Weight (kg)	Actuator
8	75	153	309	11	48	85	22	VPVL100SR4/5
10	75	153	309	11	48	85	22	VPVL100SR4/5
15	87	153	309	13	48	85	22	VPVL100SR4/5
20	97	153	313	18	48	85	22	VPVL100SR4/5
25	114	203	315	22	50	93	24	VPVL200SR4/5
32	113	203	318	25	50	93	24	VPVL200SR4/5
40	116	241	346	32	56	106	27	VPVL250SR4/5
50	127	259	362	38	63	119	29	VPVL300SR4/5

**= Add 54mm for QX4V Limit Switch Models

Dimensions



Eliminator Reduced Port, Screwed End with QPX Actuator, Full Rating - inches							
Valve Size (inches)	A	B	C**	D	E	Weight (lbs)	Actuator
1/4	2.16	7.75	12.41	0.43	14.17	73	QPX1C/MC
3/8	2.16	7.75	12.41	0.43	14.17	73	QPX1C/MC
1/2	2.62	7.75	12.41	0.50	14.17	73	QPX1C/MC
3/4	3.00	7.75	12.57	0.69	14.17	74	QPX1C/MC
1	3.55	7.75	13.06	0.88	14.17	75	QPX1C/MC
1-1/4	4.00	7.75	13.19	1.00	14.17	77	QPX1C/MC
1-1/2	4.38	8.98	13.88	1.25	16.93	93	QPX2C/MC
2	5.50	10.79	14.55	1.50	21.77	124	QPX3C/MC

**= Add 2.12" for QX4V Limit Switch Models

Eliminator Reduced Port, Screwed End with QPX Actuator, Full Rating - millimeters							
Valve Size (DN)	A	B	C**	D	E	Weight (kg)	Actuator
8	55	197	315	11	360	33	QPX1C/MC
10	55	197	315	11	360	33	QPX1C/MC
15	67	197	315	13	360	33	QPX1C/MC
20	76	197	319	18	360	34	QPX1C/MC
25	90	197	332	22	360	34	QPX1C/MC
32	102	197	335	25	360	35	QPX1C/MC
40	111	228	353	32	430	42	QPX2C/MC
50	140	274	370	38	553	56	QPX3C/MC

**= Add 54mm for QX4V Limit Switch Models

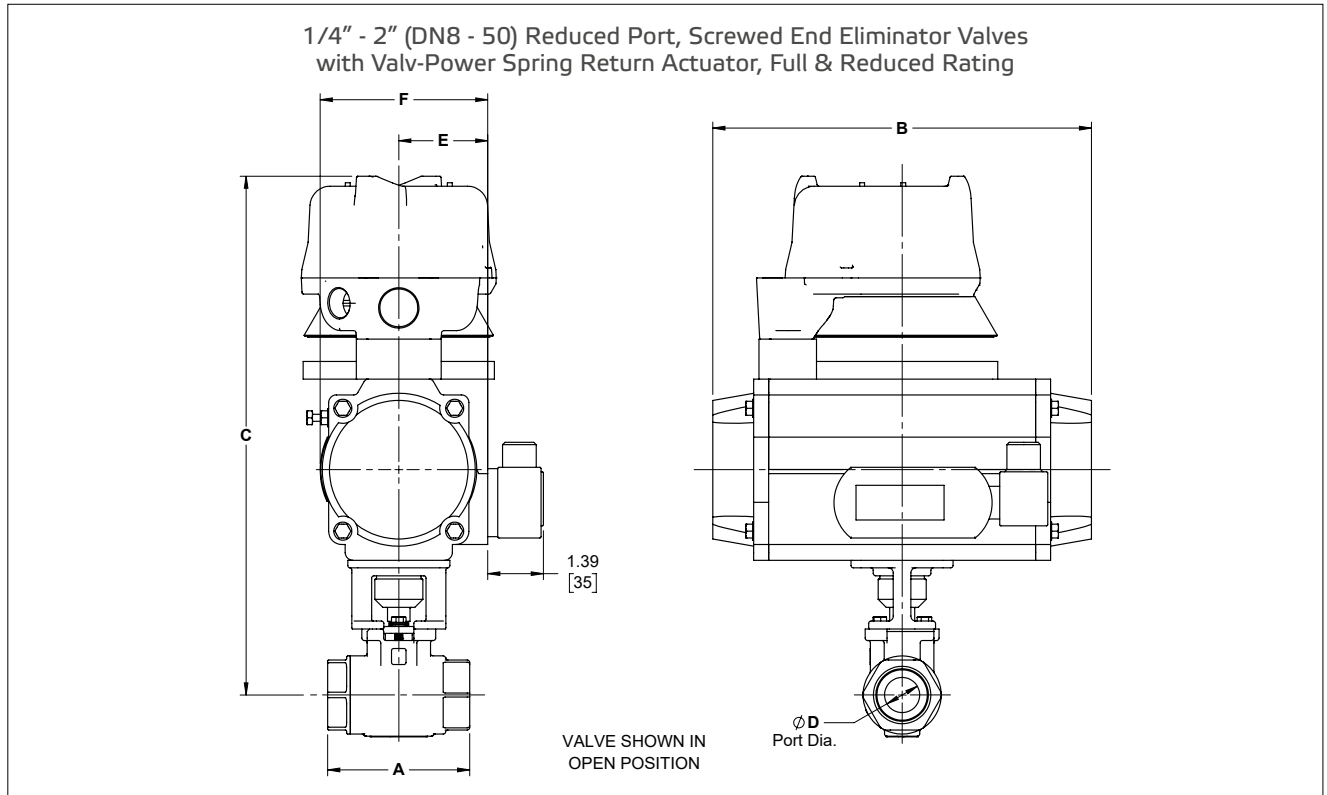
Eliminator Reduced Port, Screwed End with QPX Actuator, Reduced Rating - inches							
Valve Size (inches)	A	B	C**	D	E	Weight (lbs)	Actuator
1/4	2.16	7.75	12.41	0.43	14.17	73	QPX1C/MC
3/8	2.16	7.75	12.41	0.43	14.17	73	QPX1C/MC
1/2	2.62	7.75	12.41	0.50	14.17	73	QPX1C/MC
3/4	3.00	7.75	12.57	0.69	14.17	74	QPX1C/MC
1	3.55	7.75	13.06	0.88	14.17	75	QPX1C/MC
1-1/4	4.00	7.75	13.19	1.00	14.17	77	QPX1C/MC
1-1/2	4.38	8.98	13.88	1.25	16.93	93	QPX2C/MC
2	5.50	8.98	14.06	1.50	16.93	95	QPX2C/MC

**= Add 2.12" for QX4V Limit Switch Models

Eliminator Reduced Port, Screwed End with QPX Actuator, Reduced Rating - millimeters							
Valve Size (DN)	A	B	C**	D	E	Weight (kg)	Actuator
8	55	197	315	11	360	33	QPX1C/MC
10	55	197	315	11	360	33	QPX1C/MC
15	67	197	315	13	360	33	QPX1C/MC
20	76	197	319	18	360	34	QPX1C/MC
25	90	197	332	22	360	34	QPX1C/MC
32	102	197	335	25	360	35	QPX1C/MC
40	111	228	353	32	430	42	QPX2C/MC
50	140	228	357	38	430	43	QPX2C/MC

**= Add 54mm for QX4V Limit Switch Models

Dimensions



Eliminator, Reduced Port, Screwed End with VPVL Actuator, Full Rating - inches								
Valve Size (inches)	A	B	C**	D	E	F	Weight (lbs)	Actuator
1/4	2.16	6.04	12.18	0.43	1.91	3.33	47	VPVL100SR4/5
3/8	2.16	6.04	12.18	0.43	1.91	3.33	47	VPVL100SR4/5
1/2	2.62	6.04	12.18	0.50	1.91	3.33	47	VPVL100SR4/5
3/4	3.00	8.01	11.52	0.69	1.99	3.66	51	VPVL200SR4/5
1	3.55	9.49	12.90	0.88	2.22	4.17	56	VPVL250SR4/5
1-1/4	4.00	11.97	14.21	1.00	2.84	5.35	69	VPVL350SR4/5
1-1/2	4.38	13.11	15.26	1.25	3.03	5.77	80	VPVL400SR4/5
2	5.50	15.53	16.23	1.50	3.39	6.54	93	VPVL450SR4/5

**= Add 2.12" for QX4V Limit Switch Models

Eliminator, Reduced Port, Screwed End with VPVL Actuator, Full Rating - millimeters								
Valve Size (DN)	A	B	C**	D	E	F	Weight (kg)	Actuator
8	55	153	309	11	48	85	21	VPVL100SR4/5
10	55	153	309	11	48	85	21	VPVL100SR4/5
15	67	153	309	13	48	85	21	VPVL100SR4/5
20	76	203	293	18	50	93	23	VPVL200SR4/5
25	90	241	328	22	56	106	25	VPVL250SR4/5
32	102	304	361	25	72	136	32	VPVL350SR4/5
40	111	333	388	32	77	147	36	VPVL400SR4/5
50	140	394	412	38	86	166	42	VPVL450SR4/5

**= Add 54mm for QX4V Limit Switch Models

Eliminator, Reduced Port, Screwed End with VPVL Actuator, Reduced Rating - inches								
Valve Size (inches)	A	B	C**	D	E	F	Weight (lbs)	Actuator
1/4	2.16	6.04	12.18	0.43	1.91	3.33	47	VPVL100SR4/5
3/8	2.16	6.04	12.18	0.43	1.91	3.33	47	VPVL100SR4/5
1/2	2.62	6.04	12.18	0.50	1.91	3.33	47	VPVL100SR4/5
3/4	3.00	6.04	12.34	0.69	1.91	3.33	48	VPVL100SR4/5
1	3.55	8.01	12.39	0.88	1.99	3.66	52	VPVL200SR4/5
1-1/4	4.00	8.01	12.52	1.00	1.99	3.66	54	VPVL200SR4/5
1-1/2	4.38	9.49	13.61	1.25	2.22	4.17	59	VPVL250SR4/5
2	5.50	10.20	14.26	1.50	2.48	4.67	65	VPVL300SR4/5

**= Add 2.12" for QX4V Limit Switch Models

Eliminator, Reduced Port, Screwed End with VPVL Actuator, Reduced Rating - millimeters								
Valve Size (DN)	A	B	C**	D	E	F	Weight (kg)	Actuator
8	55	153	309	11	48	85	21	VPVL100SR4/5
10	55	153	309	11	48	85	21	VPVL100SR4/5
15	67	153	309	13	48	85	21	VPVL100SR4/5
20	76	153	313	18	48	85	22	VPVL100SR4/5
25	90	203	315	22	50	93	24	VPVL200SR4/5
32	102	203	318	25	50	93	24	VPVL200SR4/5
40	111	241	346	32	56	106	27	VPVL250SR4/5
50	140	259	362	38	63	119	29	VPVL300SR4/5

**= Add 54mm for QX4V Limit Switch Models

How to order Jamesbury gas and oil safety shutoff and vent valves

WARNING: As the use of the valve is application specific, a number of factors should be taken into account when selecting a valve for a given application. Therefore, some of the situations in which the valves are used are outside the scope of this manual. If you have any questions concerning the use, application or compatibility of the valve with the intended service, contact Valmet for more information. The Gas and Oil Safety Shutoff and Vent Valve designation is made up of numbers and letters that describe all features of the available variations of these units. Coding is as follows:

Example: 1052 7LXQVSA1 A 3” (DN 80) (7) ASME Class 150 reduced port flanged design with carbon steel body and stainless steel trim (L), Xtreme seats (X), QX4VB02SDM-MET52 limit switch with 1 fixed and 1 adjustable switch (Q), Valv-Powr VPVL actuator to operate at a minimum supply pressure of 60psi air supply (V), standard valve (S), standard solenoid valve (A) with a voltage supply of 120 VAC (1), spring-to-close (leave blank).

Figure	1	2	3	4	5	6	7	8	9
1052	7	L	X	Q	V	S	A	1	

1	Size											
Code	C	D	1	2	3	4	5	6	7	8	9	0
inches	1/4	3/8	1/2	3/4	1	1-1/4	1-1/2	2	3	4	6	8
DN	8	10	15	20	25	32	40	50	80	100	150	200

2	Valve Size		
Code	Series	Body Style	Body Material
0	A ¹	Screwed End, Reduced Port (1/4” - 2”)	Carbon
1	A ¹	Screwed End, Reduced Port (1/4” - 2”)	Stainless
3	9F ¹	Screwed End, Reduced Port (1/4” - 2”)	Carbon
4	9F ¹	Screwed End, Reduced Port (1/4” - 2”)	Stainless
C	4000	Screwed End, Reduced Port (1/2” - 2”)	Carbon
D	4000	Screwed End, Reduced Port (1/2” - 2”)	Stainless
E	4000	Socket Weld, Reduced Port (1/2” - 2”)	Carbon
F	4000	Socket Weld, Reduced Port (1/2” - 2”)	Stainless
G	4000	Screwed End, Full Port (1/2” - 1-1/2”)	Carbon
H	4000	Screwed End, Full Port (1/2” - 1-1/2”)	Stainless
J	4000	Socket Weld, Full Port (1/2” - 1-1/2”)	Carbon
K	4000	Socket Weld, Full Port (1/2” - 1-1/2”)	Stainless
L	7150	Flanged, Reduced Port, Class 150 (1/2” - 8”)	Carbon
M	7150	Flanged, Reduced Port, Class 150 (1/2” - 8”)	Stainless
N	9150	Flanged, Full Port, Class 150 (1/2” - 6”)	Carbon
P	9150	Flanged, Full Port, Class 150 (1/2” - 6”)	Stainless
Q	9300	Flanged, Full Port, Class 300 (1/2” - 6”)*	Carbon
S	730S	Flanged, Reduced Port, Class 300, Short (1/2” - 8”)**	Carbon
T	9300	Flanged, Full Port, Class 300 (1/2” - 6”)*	Stainless
V	730S	Flanged, Reduced Port, Class 300, Short (1/2” - 8”)**	Stainless
Y	7300	Flanged, Reduced Port, Class 300 (1/2” - 8”)**	Carbon
Z	7300	Flanged, Reduced Port, Class 300 (1/2” - 8”)**	Stainless

1 Eliminator & A-Style use Xtreme seats only.

* 2” and larger Rated to Class 150

** 3” and larger Rated to Class 150

3	Valve Seat Material
Code	Seat Material
X	Xtreme
T	PTFE

* 6” 9000 & 8” 7000 with Xtreme seats is only available with Valv-Powr actuator

4	Switch Description	
Code	Description	Switch Code
0	No Switch	
1	2 SPDT switches, both fixed	QX2VE02SRA
2	2 SPDT switches, 1 fixed, 1 adjustable	
P	2 DPDT switches, both fixed	
Q	2 DPDT switches, 1 fixed, 1 adjustable	QX4VE02SRA-MET52 (Mechanical Switches)
6	2 SPDT switches, 1 fixed, 1 adjustable	QX2HE02SRA (Longer Life Proximity Switches)
7	2 SPDT switches, both fixed	

5	Actuator
Code	Actuator Type
Q	Quadra-Powr X, diaphragm, spring return *
V	Valv-Powr VPVL, rack and pinion, spring return **

* Ambient temperature from -20°F to 140°F

** Ambient temperature from -40°F to 140°F

6	Options
Code	Option
S	Standard
B	4000 Series, Eliminator and A-Style (full rating) per ASME B31 valve per ASME B16.34 with Class 600 rating
M	Valve with Monel ball and stem
R	4000 Series, Eliminator and A-Style (reduced rating) per ASME B31 valve per ASME B16.34 with Class 150 rating

7	Solenoid
Code	Solenoid
A	Standard (up to 125°F, 51°C)
B	High Temperature (up to 140°F, 60°C)
C	Manual reset
D	Stainless steel
E	Faster closing
F	High temperature & faster closing

Figure 1052 – FM Approved, Automatic safety shut-off and vent valves for liquid and gas burners and appliances

8	Solenoid Voltage
Code	Voltage
1	120 VAC, 60 Hz
2	240 VAC, 60 Hz
4	24 VDC

9	Actuator Spring Direction
Code	Voltage
—	Spring-to-Close
V	Spring-to-Open

Figure 1052 – FM Approved, Automatic safety shut-off and vent valves for liquid and gas burners and appliances

Valmet Flow Control Oy

Vanha Porvoontie 229, 01380 Vantaa, Finland.

Tel. +358 10 417 5000.

www.valmet.com/flowcontrol

Subject to change without prior notice.

Neles, Neles Easyflow, Jamesbury, Stonel, Valvcon and Flowrox, and certain other trademarks, are either registered trademarks or trademarks of Valmet Oyj or its subsidiaries in the United States and/or in other countries.

