

Repeaters/network tuners

Model number
AC461142A
AC461150A (ETL)



AS-Interface network tuner

The AS-Interface tuner enables longer cable length and improves network communication quality. This tuner monitors the telegram traffic and adjusts its capacitive, inductive, and resistive characteristics to optimize communication. LEDs display network signal quality.

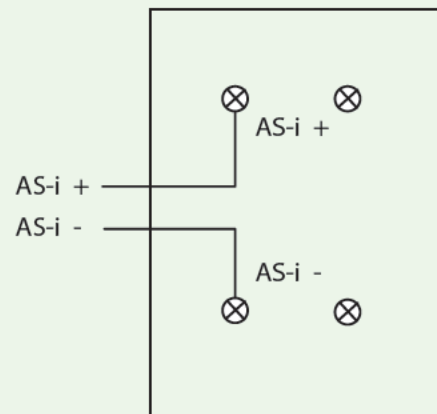
Features

- Extend AS-i networks
- Improve signal quality
- ETL approved for Class I Division 2 (AC461150A)
- LED indication
- Easy commissioning
- DIN rail mounting
- IP65

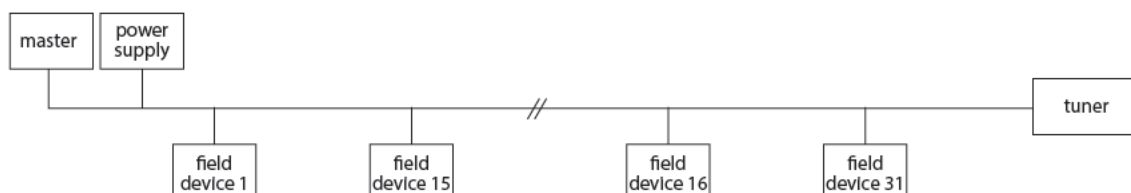


Specifications	
Device profile	Passive (no address)
Operating voltage	30 VDC AS-Interface voltage (AS-Interface power supply)
Operating current	60mA
Displays	Power: voltage ok green LED Tuning active: green LED Error, red LED Warning: yellow LED Green: green LED
Operating temperature	0° to +55°C (+32° to +131°F)
Storage temperature	-25° to +75°C (-13° to +167°F)
Housing	Engineered resin, DIN rail mounting
Housing dimensions (L, W, H)	80mm, 115mm, 65mm
Ingress protection	IP65
Weight	244g (0.54 pounds)
Approvals (AC461150A)	ETL approved Class I, Division 2, groups A, B, C, D

Schematic drawing



Network





Valmet's professionals around the world work close to our customers and are committed to moving our customers' performance forward – every day.

Valmet Flow Control Oy

Vanha Porvoontie 229
01380 Vantaa, Finland
flowcontrol@valmet.com
+358 10 417 5000
valmet.com/flowcontrol

**Valmet Flow Control Inc.
Stonel product center**

26271 US Hwy 59, Fergus Falls, MN 56537 USA.
Tel. +1 218 739 5774.
sales.stonel@valmet.com
valmet.com/flowcontrol

