

Input/Output Modules

StoneL Model 461050, 465011 (DIN)

The I/O Module is designed to function as an AS-Interface slave device with termination points for connecting switches/sensors as well as output devices, such as solenoid valves and relays.

Features

- Four (4) discrete inputs
- Four (4) power outputs
- LED input status displays (inputs 3&4)
- Direct mount or DIN rail mount available



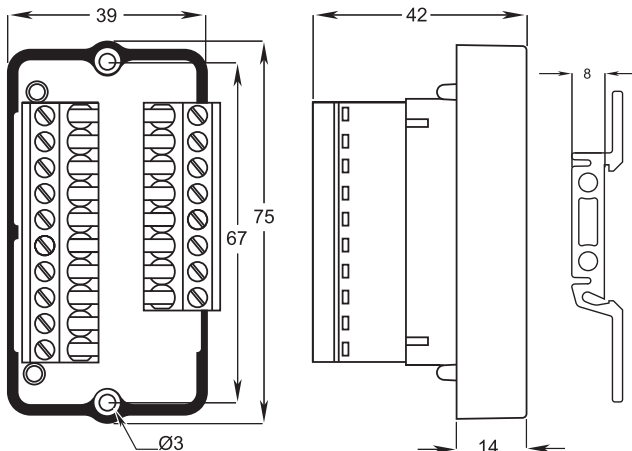
Enclosure Option



Specifications

Model Numbers	• 461050, 465011 (DIN)
AS-Interface Profile	• ID Code = F I/O Code = 7 (4DI,4DO)
Inputs	• (4) 3mA @ 28VDC; gold contact mechanical, low power reed, or proximity sensor
Outputs	• (4) 28VDC (4 Watts total power available)
Operating Voltage	• AS-Interface Voltage
Current Consumption	• <40mA (with no outputs energized)
Dimensions	• 75mm, 39mm, 41mm (L, W, H)
Indication	• Input 3 = Green LED Input 4 = Red LED
Operating Temp.	• -25° to +70°C (-13° to +158°F)
Stock Temp.	• -25° to +70°C (-13° to +158°F)
Weight	• 90g (0.2 pounds), with DIN

Dimensions (in mm)



Available with DIN Rail Clip.
Specify model # 465011

AS-Interface Profile and Data locations

Input Data

- Input 1 = DI0
- Input 2 = DI1
- Input 3 = DI2
- Input 4 = DI3

Output Data

- Output 1 = DO2
- Output 2 = DO3
- Output 3 = DO0
- Output 4 = DO1

Wiring Diagram

