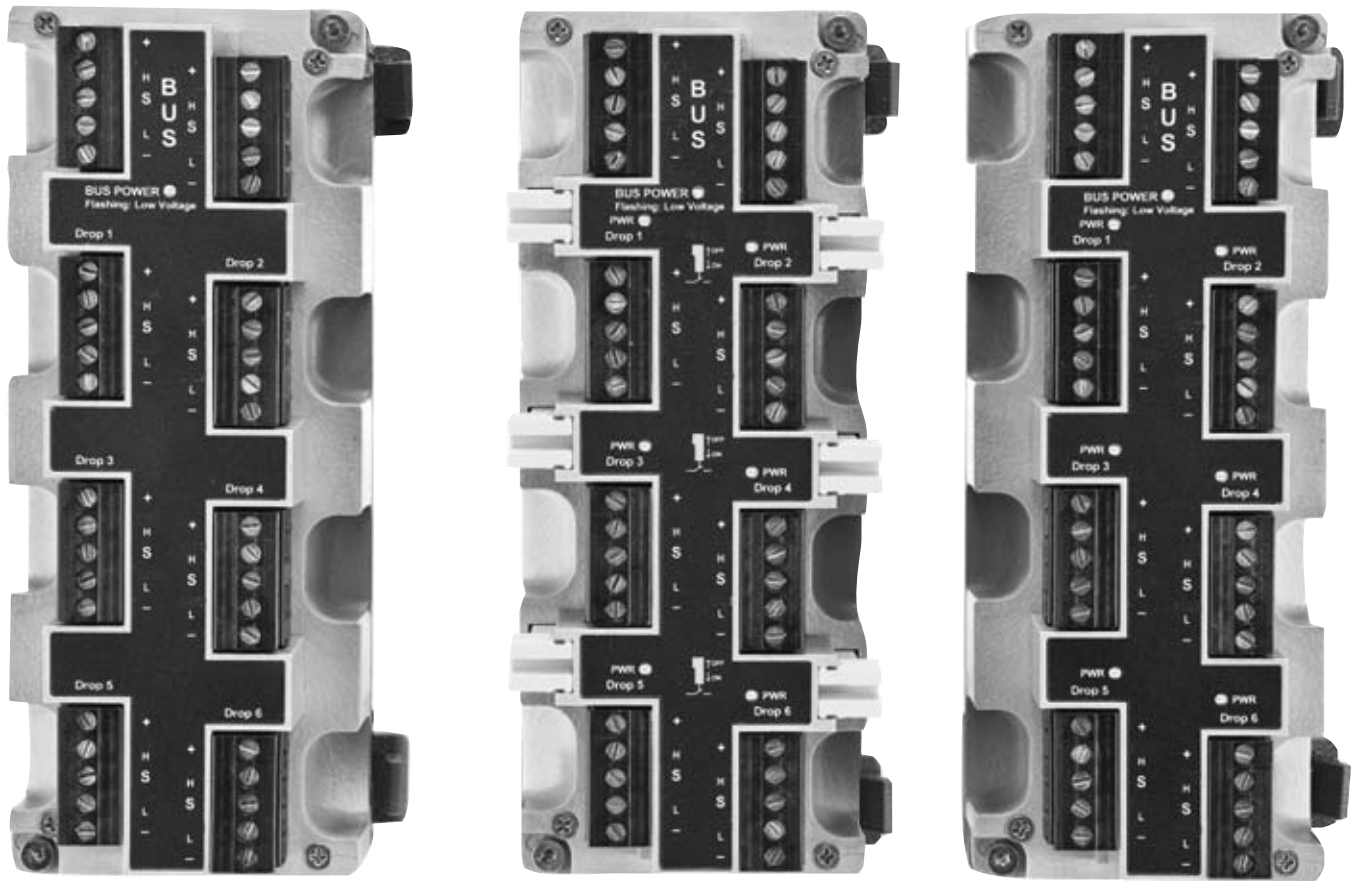


# MODBUS

## and Profibus DP (1-6) DIN Rail Mount Drop Connectors



# StoneL®

Valve Communication Solutions

StoneL  
One StoneL Dr  
26271 US Hwy 59  
Fergus Falls, MN 56537  
USA

© 2011 StoneL

Telephone: 218.739.5774  
Toll Free: 800.843.7866  
Fax: 218.739.5776  
E-mail: sales@stonel.com  
Website: www.stonel.com



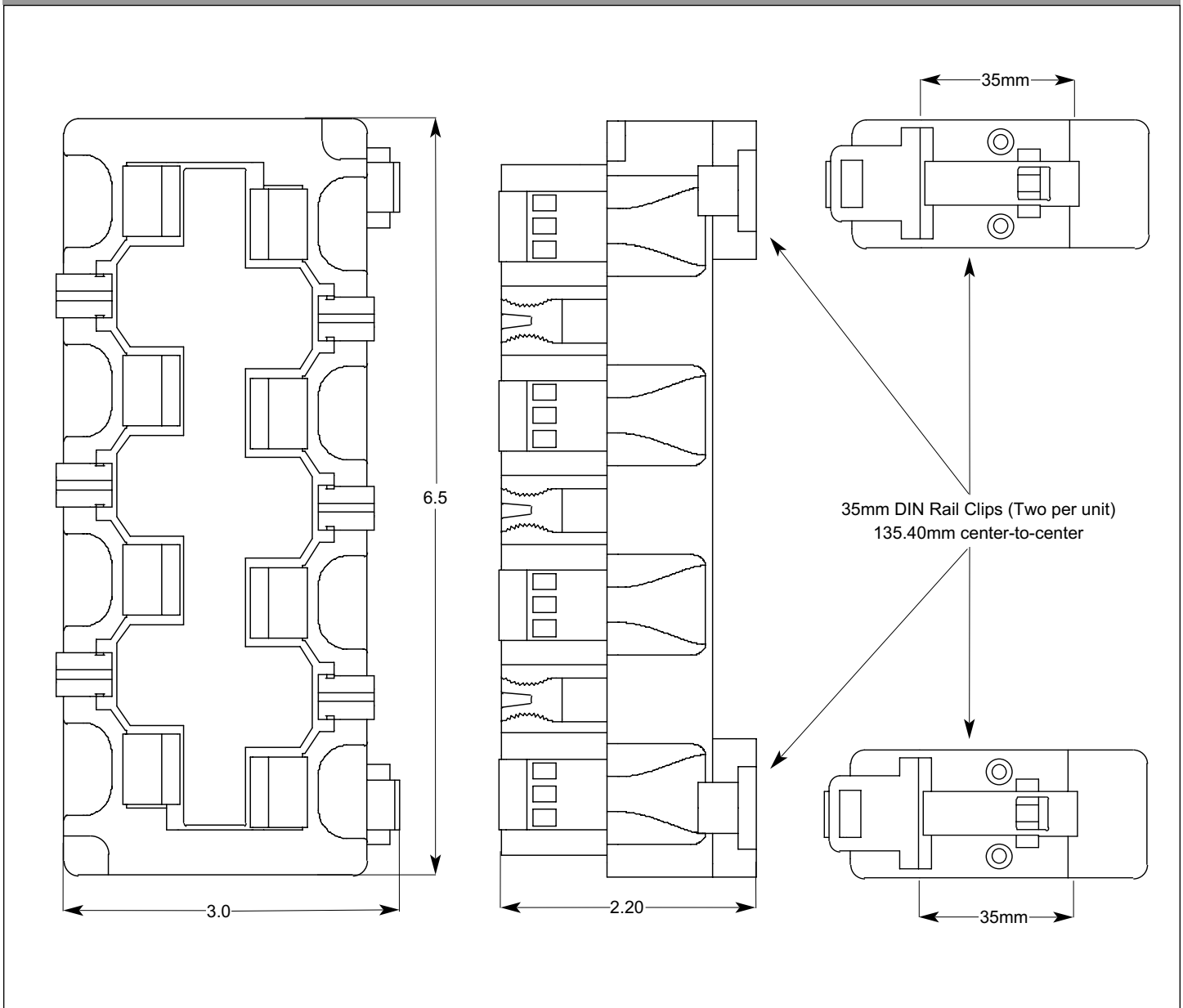
Table Of Contents ..... Page 2  
Module Guide ..... Page 3  
General Specifications and Ratings ..... Page 3  
Dimensional Data ..... Page 3  
DR465039\_ Modbus/Profibus DP Passive Drop Connector (Bus In/Out and (6) Drops) ..... Page 4  
DR465043\_ Modbus/Profibus DP Protected (240mA) Drop Connector (Bus In/Out and (6) Drops) ..... Page 5  
DR465047\_ Modbus/Profibus DP Switched Protected (240mA) Drop Connector (Bus In/Out and (6) Drops) Page 6

	Function	Brand	Options
<b>DR</b>	<b>465039</b> Modbus/Profibus DP Passive Drop Connector (Bus In/Out and (6) Drops) <b>465043</b> Modbus/Profibus DP Protected (240mA) Drop Connector (Bus In/Out and (6) Drops) <b>465047</b> Modbus/Profibus DP Switched Protected (240mA) Drop Connector (Bus In/Out and (6) Drops)	<b>A</b> StoneL <b>M</b> Metso	-***** (Special)

## General Specifications

<b>Materials of Construction</b>	<b>Operating Life</b>	Unlimited
Housing	<b>Temperature Range</b>	-40° to +80° C (-40° to 176° F)
Fasteners	<b>Enclosure Protection</b>	IP20
	<b>Warranty</b>	Two Years

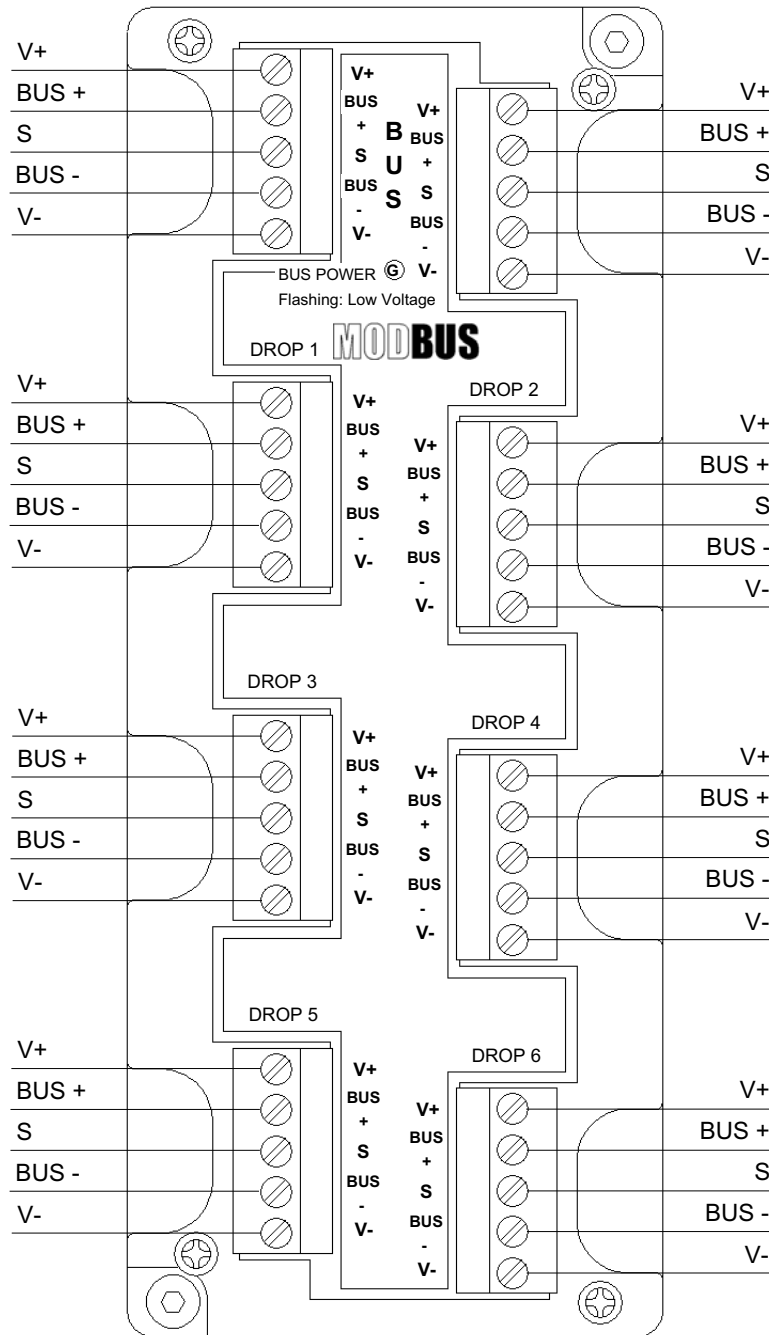
## Dimensions in inches



## Modbus and Profibus DP Passive Drop Connector

Bus in, Bus out, and (6) Passive Drops for Modbus and Profibus DP networks.

Voltage Range	35VDC	Current Consumption	10mA max
Operating Voltage	Modbus Voltage	Voltage Drop (Trunk)	Negligible
Current Rating	8 Amps	Voltage Drop (Spur)	Negligible
Break Current	None	LED Display:	BUS POWER, Green LED (Flashing = low voltage)
Reset Current	None		

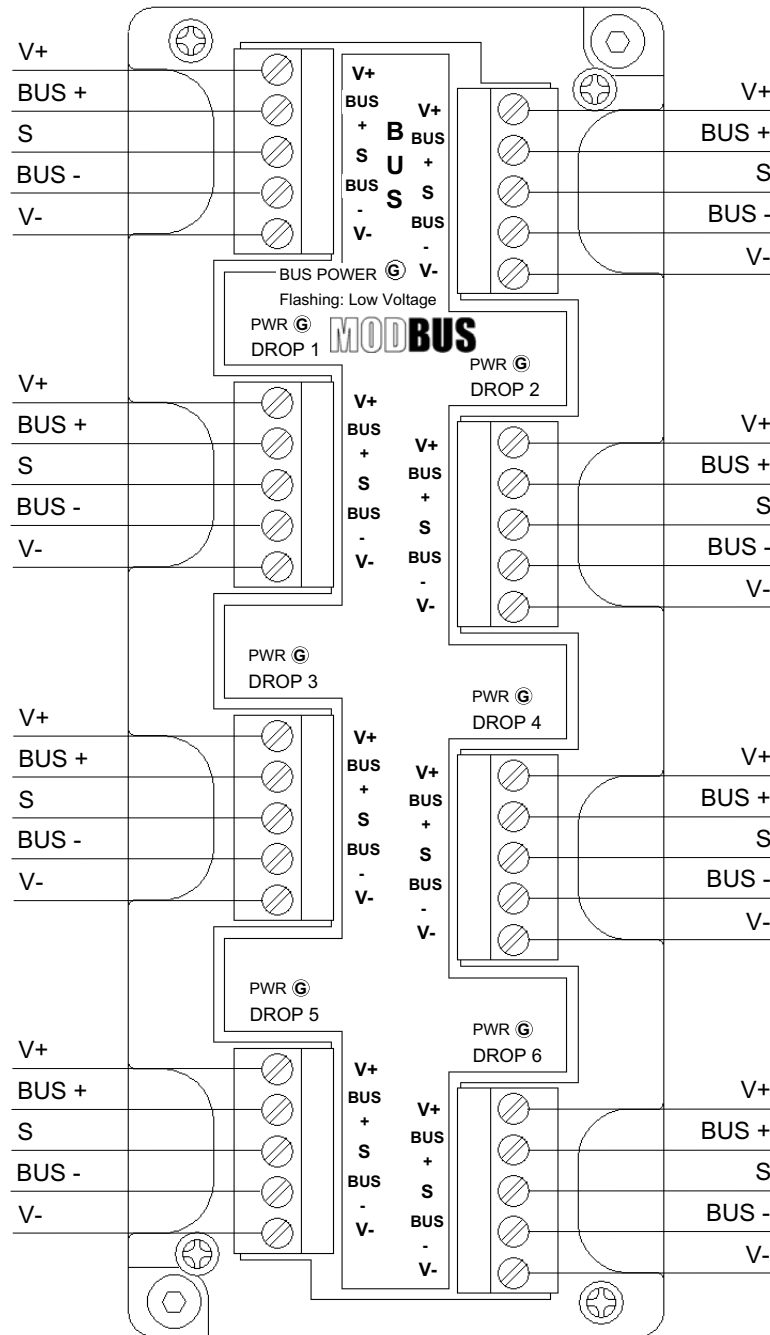


## Modbus and Profibus DP Power Protected Drop Connector

Bus in, Bus out, and (6) Power Protected Drops for Modbus and Profibus DP networks

Voltage Range	30 VDC max	Current Consumption	10mA max
Operating Voltage	DeviceNet Voltage	Voltage Drop (Trunk)	Negligible
Current Rating	8 Amps (Bus)	Voltage Drop (Drop)	1.0 VDC max
Break Current	>240mA (on V+)*	LED Displays: BUS POWER, Green LED (Flashing = low voltage)	
Holding Current	28mA	PWR, Green LED, Drop Energized	
Reset Current	<28mA		

\*Short circuit protection only on V+. Communication wires are passive

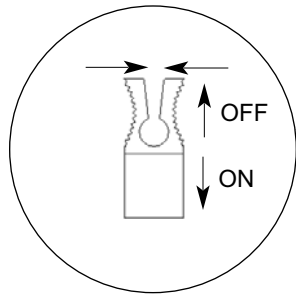


## Modbus and Profibus DP Switched Power Protected Drop Connector

Bus in, Bus out, and (6) Switched Power Protected Drops for Modbus and Profibus DP networks.

Voltage Range	30 VDC max	Current Consumption	10mA max
Operating Voltage	DeviceNet Voltage	Voltage Drop (Trunk)	Negligible
Current Rating	8 Amps (Bus)	Voltage Drop (Drop)	1.0 VDC max
Break Current	>240mA (on V+)*	LED Displays: BUS POWER, Green LED (Flashing = low voltage)	
Holding Current	28mA	PWR, Green LED, Drop Energized	
Reset Current	<28mA		

\*Short circuit protection only on V+. Communication wires are passive



**Drop Disconnect Switch Operation**

1. To energize a selected drop, compress "ears" of yellow disconnect switch with finger tips and push down. Green "PWR" LED of selected drop will light.
2. To de-energize a selected drop, compress "ears" of yellow disconnect switch with finger tips and pull up. Green "PWR" LED of selected drop will extinguish. Drop is now isolated from the network.

