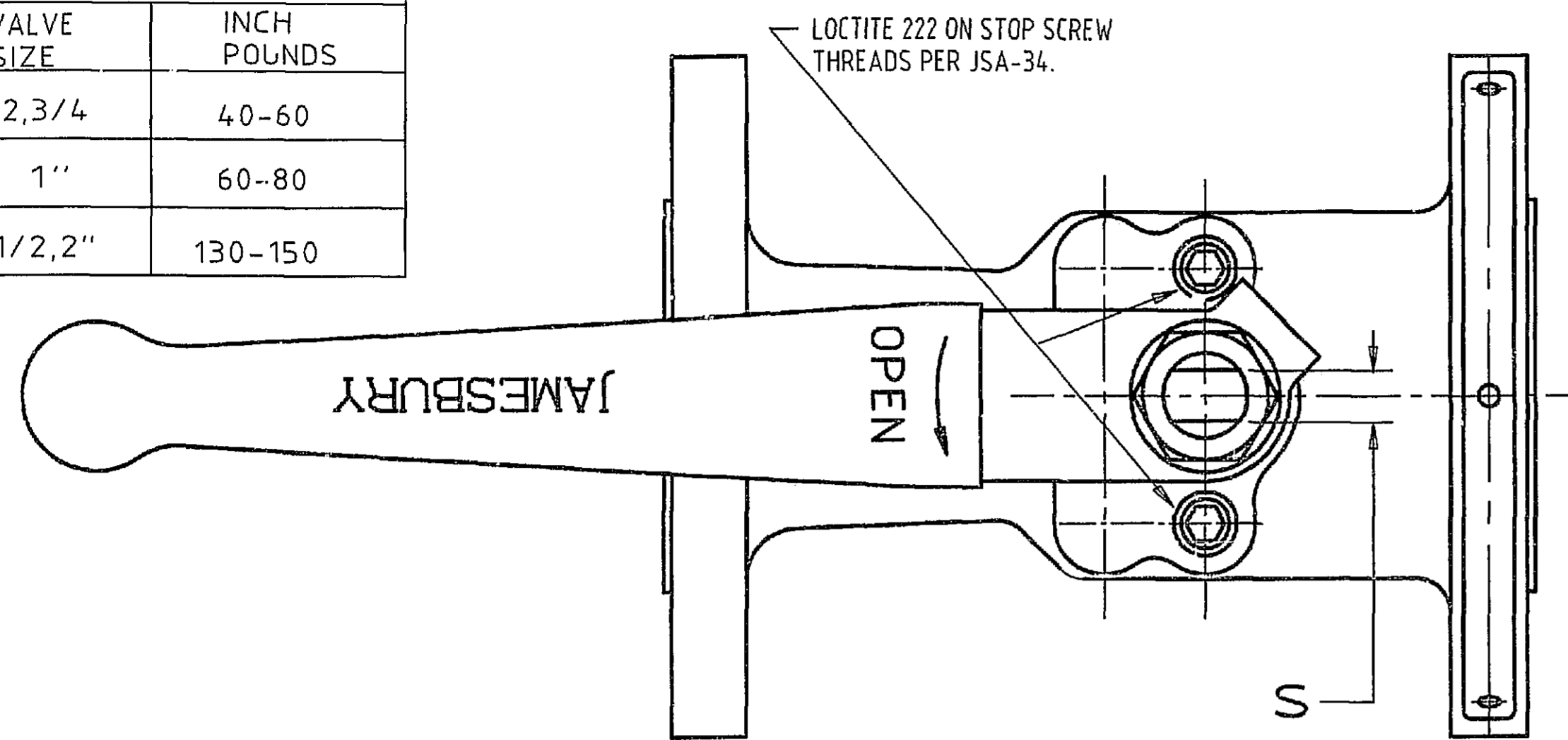
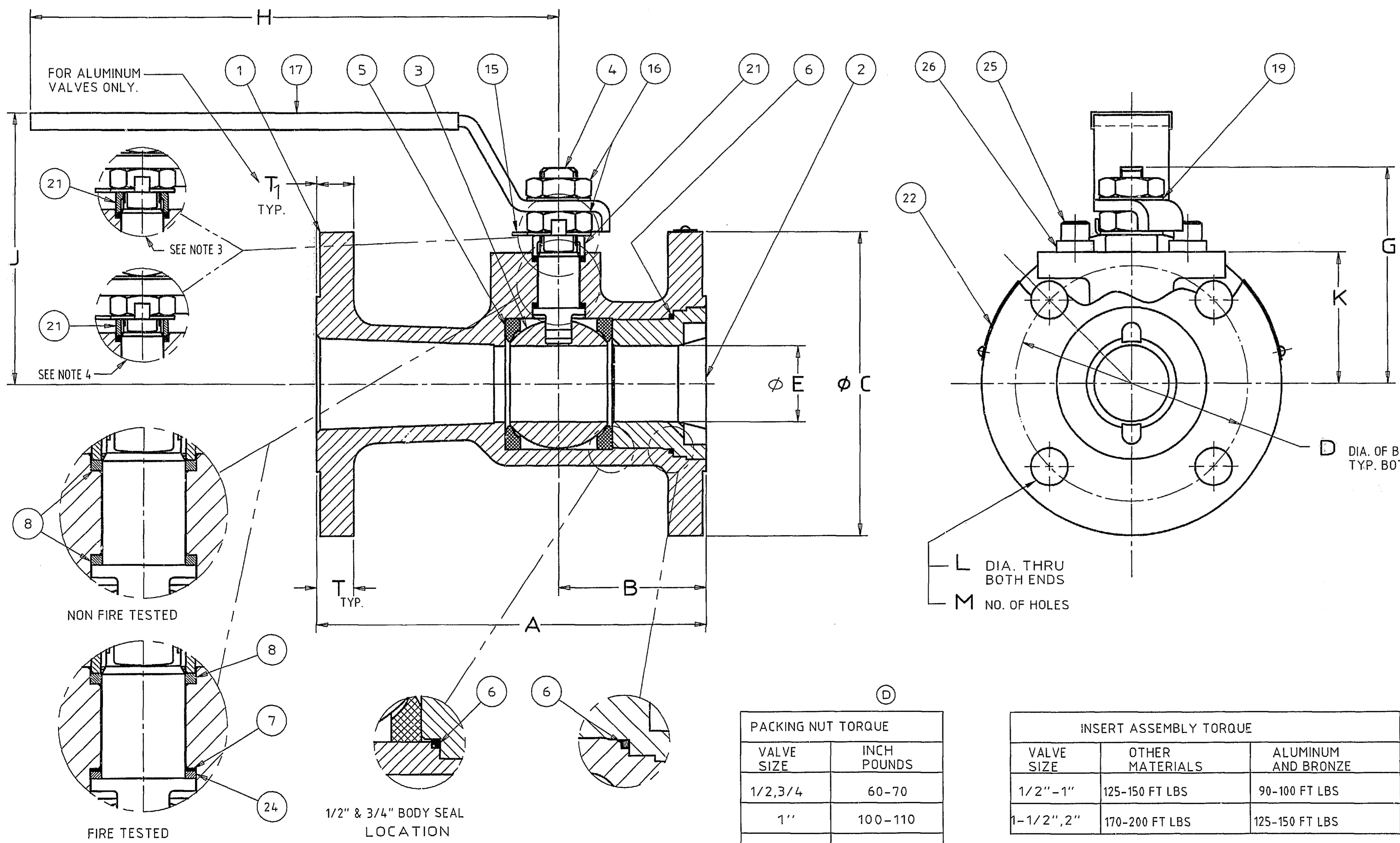


HANDLE NUT TORQUE	
VALVE SIZE	INCH POUNDS
1/2, 3/4	40-60
1"	60-80
1-1/2, 2"	130-150



VALVE SIZE	ALL DIMENSIONS ± 0.062													
	A	B	C	D	E	G	H	J	K	L	M	S	T	T ₁
1/2	4.25	1.81	3.50	2.38	0.50	1.69	5.06	3.63	0.88	0.63	4.00	0.19	0.44	0.50
3/4	4.63	2.00	3.88	2.75	0.69	1.88	5.06	3.63	1.00	0.63	4.00	0.19	0.44	0.50
1"	5.00	2.19	4.25	3.13	0.88	2.63	6.69	3.69	1.38	0.63	4.00	0.31	0.63	0.63
1 1/4														
1 1/2	6.50	2.44	5.00	3.88	1.25	3.63	8.81	4.44	2.19	0.63	4.00	0.38	0.63	0.75
2	7.00	2.44	6.00	4.75	1.50	3.75	8.81	4.63	2.38	0.75	4.00	0.38	0.69	0.81

LET	ECH	REVISION	DRAWN	APPVD.	DATE
A	15087	5.06 WAS 4.55	PJD	RET	2-2-94
B	16534	SEE ECN FOR CHANGES	WRD	RET	6-13-97
C	16952	SEE ECN FOR CHANGES	BA	PJD	2-18-98
D	17325	HANDLE NUT TORQUE FOR 1/2 & 3/4 WAS 40-60, 1 WAS 60-80, 1 1/2 & 2 WAS 135-145	BA	SAL	12-15-98
E	17338	SEE ECN FOR CHANGES	BA	PJD	13 JAN 99



- NOTES:
- FOR INSTALLATION, MAINTENANCE AND OPERATING INSTRUCTIONS SEE IMO-050.
 - TAG ATTACHMENT PER JMA-98.
 - 1"-2" 5000 SERIES VALVES USE ANTI-ROTATION COMPRESSION RING WITH 22, 35 AND 36 TRIM ONLY.
 - ALL 1/2 & 3/4 & 1"-2" 5000 SERIES WITH TRIM MATERIALS NOT NOTED ABOVE USE STRAIGHT COMPRESSION RING.

ITEM NO.	PART NAME
1	BODY
2	INSERT
3	BALL
4	STEM
5	SEAT
6	BODY SEAL
7	EMERGENCY STEM SEAL
8	STEM SEAL
15	STEM NUT LOCK
16	STEM NUT
17	HANDLE
19	SHAKEPROOF WASHER
21	COMPRESSION RING
22	IDENTIFICATION TAG
24	STEM SEAL
25	SOC HEAD CAP SCREW
26	STOP SCREW SPACER

PACKING NUT TORQUE	
VALVE SIZE	INCH POUNDS
1/2, 3/4	60-70
1"	100-110
1-1/2, 2	175-185

INSERT ASSEMBLY TORQUE		
VALVE SIZE	OTHER MATERIALS	ALUMINUM AND BRONZE
1/2"-1"	125-150 FT LBS	90-100 FT LBS
1-1/2", 2"	170-200 FT LBS	125-150 FT LBS

THIS DRAWING AND ALL INFORMATION CONTAINED HEREIN ARE THE PROPERTY OF JAMESBURY INC. AND ARE NOT TO BE USED EXCEPT AS AUTHORIZED BY JAMESBURY INC. UNLESS OTHERWISE NOTED DIMENSIONING, TOLERANCING, & DRAWING INTERPRETATION IS IN ACCORDANCE WITH ANSI Y14.5M

ANGLES = 45° FINISH = RENEVE SHARP EDGES AND CORNERS TO R2-R3 RADIUS OR CHAMFER, DIMENSIONS IN INCHES.

DO NOT SCALE DRAWING

SCALE 1:1

TITLE: ASSEMBLY 1/2-2" 5150 MOD "C" 150# FLANGED VALVE

DRAWN RRH 5-22-91

APPVD. DBC 6-2-91

JAMESBURY VALVE CONTROL GROUP WORCESTER MA., U.S.A.

SIZE DWG NO. D 5063

REV E

SHEET 1 OF 1