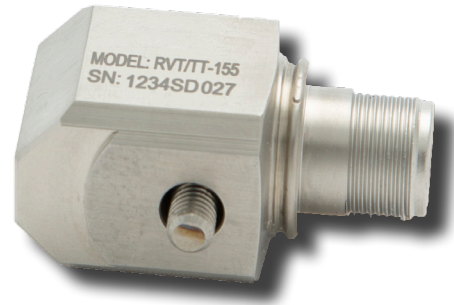


Dual output acceleration and temperature sensor

RVT/TT-155 Code: 600-10027

Key features

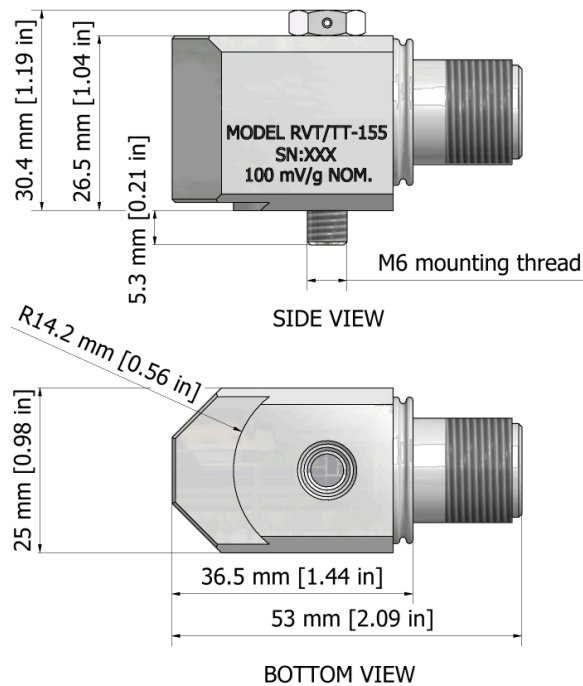
- Combined acceleration and temperature measurement
- Rugged design
- Corrosion resistant
- Hermetic seal
- ESD protection
- Reverse wiring protection
- Side exit connector



RVT/TT-155 is an industrial accelerometer with internal temperature sensor. Dual output sensor is an optimal solution for condition monitoring applications that utilize both vibration and temperature measurements.

RVT/TT-155 is suitable for machine monitoring in e.g. following industries:

- Pulp and Paper
- Mining and mineral industry
- Power generation
- Steel industry



RVT/TT-155 specifications

Dynamic	Sensitivity, $\pm 10\%$, 25 °C	100 mV/g
	Acceleration range	80 g peak
	Amplitude nonlinearity	1%
	Frequency response	
	$\pm 10\%$	0.7...10 000 Hz
	± 3 dB	0.5...12 000 Hz
	Resonance frequency, mounted, min.	22 kHz
	Transverse sensitivity, max.	5% of axial
Temperature response	$\pm 10\%$ (-25...+120 °C)	
Temperature	Sensitivity	10 mV/°C
	Temperature measurement range	+2... +120 °C
Electrical	Power requirement	
	Voltage source	18...30 VDC
	Bias current	2...10 mA
	Output impedance, max.	100 Ω
	Bias output voltage, nominal	12 VDC
	Grounding	Case isolated, internally shielded
Environmental	Temperature range	-50...+120 °C
	Vibration limit	500 g
	Shock limit, min.	5 000 g
	Sealing	Hermetic
Physical	Sensing element design	PZT ceramic, shear
	Weight	145 g
	Case material	316L stainless steel
	Mounting	M6 captive screw
	Output connector	3 pin, MIL-C-5015 style
	Pin A	Accelerometer signal/power
	Pin B	Accelerometer and temperature sensor common
Pin C	Temperature sensor signal	