

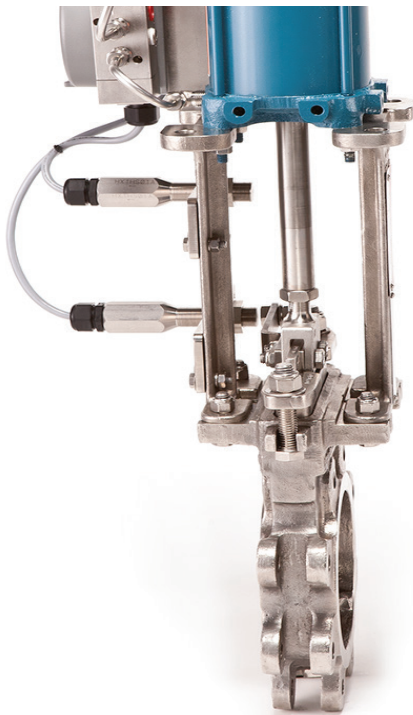
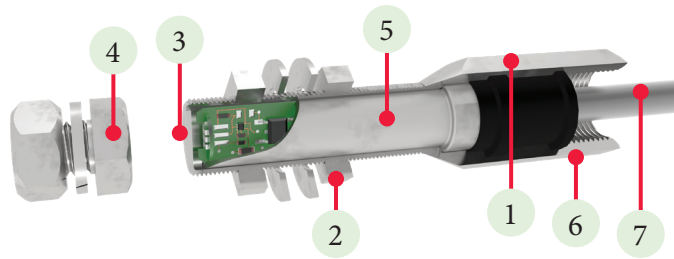
Stonel™ Hawkeye™ Explosionproof linear point sensor HX series





Rugged, corrosion proof for all hazardous locations

The explosionproof Hawkeye, with its stainless steel enclosure, is designed for service in harsh process environments. It features a solid state proximity sensor which is encased in a shock absorbent urethane potting material. Outputs for universal switching or NAMUR (EN 60947-5-6; I.S.) are standard options.



Features

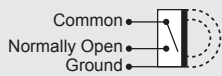
1. **316 stainless steel enclosure** is extremely durable and corrosion resistant.
2. **Stainless steel washers and fasteners** included with HX enable secure vibration resistant mounting.
3. **Solid state magnetic sensor** detects trigger at distances up to 6 mm (extended sensing range also available).
4. **Magnetic trigger is embedded** and sealed with a wide-temperature corrosion-resistant urethane in the included stainless steel bolt.
5. **Sensor electronics are urethane sealed** in a module which is additionally sealed within the stainless steel enclosure assuring high tolerance to shock and vibration.
6. **All conduit/connector options (½" NPT, M20 and cable gland)** are available with standard 6-foot cord lengths allowing flexible wiring options.
7. **No seal offs are required** with explosionproof conduit systems, reducing installation costs.
8. **Suitable for most hazardous locations** explosionproof, flame proof Div 1/Zone 1; intrinsically safe Div 1/Zone 0.

Sensor specifications

SST switching sensors (35)

Configuration	(1) SST solid state sensor
Operations	Normally open (NO) <i>for Normally closed (NC), consult factory</i>
Maximum current inrush	1.0 amp
Maximum current continuous	0.1 amp
Maximum leakage current	0.25 mA (VAC) 0.15 mA (VDC)
Voltage range	20 - 250 VAC 8 - 250 VDC
Maximum voltage drop	6.5 volts @ 10 mA 7.2 volts @ 100 mA

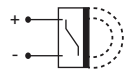
Wiring diagram (35) normally open



NAMUR sensor (45)

Configuration	(1) NAMUR sensor (EN 60947-5-6; I.S.)
Operation	Normally closed (NC) NAMUR sensor (solid state)
Voltage range	5 - 29 VDC
Current ratings	Target on I<1 mA Target off I>3 mA

Wiring diagram (45)



Ratings

Explosionproof (Ex d, Zone 1 or Class I and II, Div. 1)	All models*
Intrinsically safe (Ex ia, Zone 0 or Class I and II, Div. 1)	Function 45*

Enclosure protection

Type 4, 4X and 6	All models
Ingress Protection 66 and 68	All models

Approvals*

See manufacturer's website
* Only models listed on Valmet official web site are approved per specific rating.

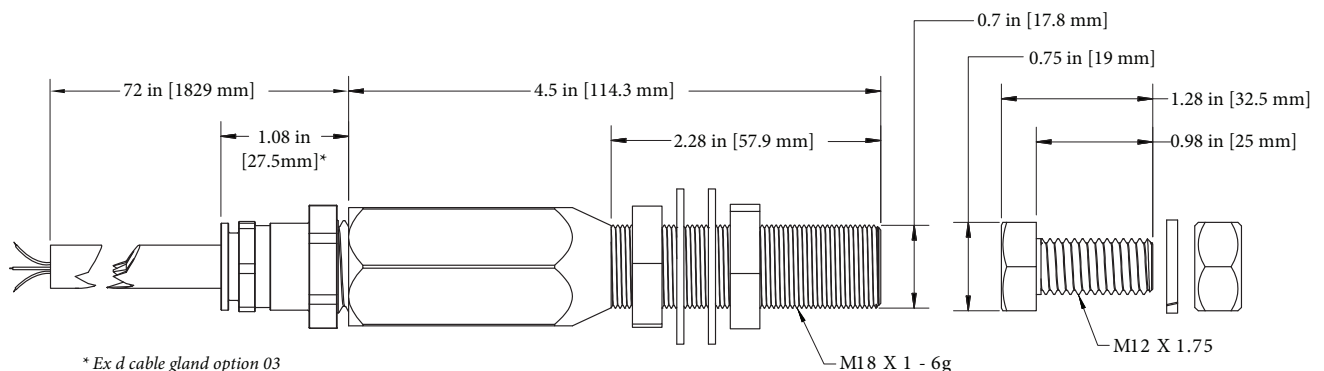
Model selector

SERIES	
HX	Explosionproof Hawkeye
FUNCTION	
35	SST 240V sensor (NO type sensor)
45	NAMUR sensor (EN 60947-5-6; I.S.)
ENCLOSURE	
S	Stainless steel North American (NEC/CEC)
T	Stainless steel International (IEC)
CONDUIT/CONNECTORS	
01	(1) ½" - 14-NPT
02	(1) M20 x 1.5
03	Cable gland (Ex d) [select enclosure option "T"]
FEATURES	
SA	Standard
Model number example	
HX 35 S 01 SA -	OPTIONAL
MODEL NUMBER	PARTNERSHIP ID
Mounting hardware required and sold separately.	Some models may include 5-digit identification suffix.

Specifications

Materials of construction	
Enclosure and fasteners	316 stainless steel
Trigger	316 stainless steel and urethane
Other specifications*	
Conduit connection	½" NPT or M20
Wiring	72" (1.8 meters) length 18 gauge multi-strand in a single jacket ITC and PLTC rated
Sensing distance	4-6 mm <i>Extended range available</i>
Temperature range	-40° C to 80° C (-40° F to 176° F) <i>Consult factory for ultra-cold temperature</i>
Warranty	Five years
* Detailed technical specifications available in the installation manual available on Valmet official web site. Consult factory for additional specifications.	

Dimensions



* Ex d cable gland option 03

Valmet Flow Control Inc.

Stonel product center

26271 US Hwy 59, Fergus Falls, MN 56537 USA .

Tel. +1 218 739 5774.

sales.stonel@valmet.com

valmet.com/flowcontrol

Subject to change without prior notice.

Neles, Neles Easyflow, Jamesbury, Stonel, Valvcon and Flowrox, and certain other trademarks, are either registered trademarks or trademarks of Valmet Oyj or its subsidiaries in the United States and/or in other countries.

For more information www.neles.com/trademarks

