

Input/relay output modules

Model number

IO97Y12FA
Interlocking

IO97W12FA (DIN)
Interlocking

IO97Y07FA
Independent

IO97W07FA (DIN)
Independent



Input/output module with externally-powered relay outputs

This I/O module is designed to function as an AS-Interface node with termination points for connecting switches/sensors, as well as relay outputs to operate devices like motors and other high power devices. Available with interlocked outputs to operate AC motors, or independent outputs to operate independent AC loads.

Features

- Four (4) discrete inputs
- Two (2) relay outputs and one (1) discrete output
- LED input and output displays
- Direct mount or DIN rail mount available
- Extended addressing feature (A/B addresses) 62 per network



Specifications	
AS-Interface profile	ID = A, I/O = 7 (4DI, 3DO)
Discrete inputs	(4) 3mA @ 28VDC gold contact mechanical, low power reed, or proximity sensor
Discrete outputs (relay)	
independent	(2) 120/250VAC fused @ 2A independent for other AC loads
interlocking	(2) 120/250VAC fused @ 2A interlocked for motor operation
Bus powered outputs	(1) 28VDC (4 watts total power available)
Operating voltage	AS-Interface voltage
Current consumption	<40mA (with no outputs energized)
Indication	(4) input state LEDs (green)
	(3) output state LEDs (green)
	(1) AS-i power ok LED (green)
External voltage (relay outputs)	Up to 250 VAC; 30 VDC
Dimensions (L, W, H)	100mm, 67mm, 63mm
Housing	Engineered resin
Operating temperature	-40° to +80°C (-40° to +176°F)

AS-Interface profile and data locations

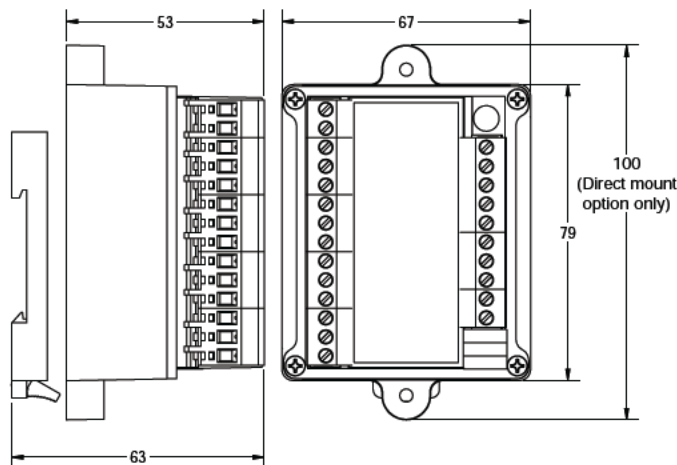
Input data

- Input 0 = DIO
- Input 1 = DI1
- Input 2 = DI2
- Input 3 = DI3

Output data

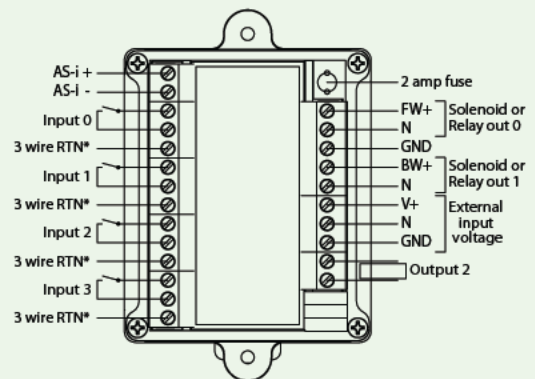
- Relay output 0 = DO0
- Relay output 1 = DO1
- Output 2 = DO2
- Output 3 = Not used

Dimensions (mm)



DIN rail clip only applies to DIN models.

Wiring diagram



*Only for use with 3 wire PNP sensors



Valmet's professionals around the world work close to our customers and are committed to moving our customers' performance forward – every day.

Valmet Flow Control Oy

Vanha Porvoontie 229
01380 Vantaa, Finland
flowcontrol@valmet.com
+358 10 417 5000
valmet.com/flowcontrol

**Valmet Flow Control Inc.
Stonel product center**

26271 US Hwy 59, Fergus Falls, MN 56537 USA.
Tel. +1 218 739 5774.
sales.stonel@valmet.com
valmet.com/flowcontrol

