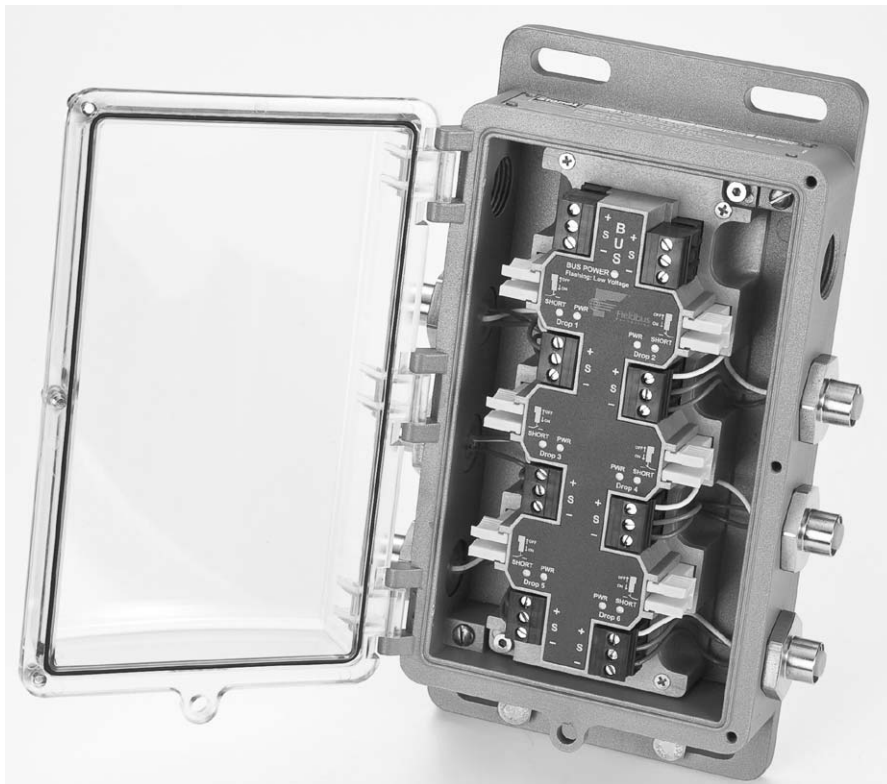


**FieldBlock Nonincendive™ Enclosure (FN) with:**



**FOUNDATION Fieldbus or Profibus PA**

**(1-6) Passive Drop Connector (FNT04\_\_\_\_)**



**StoneL Corporation**  
One StoneL Dr  
26271 US Hwy 59  
Fergus Falls, MN 56537  
USA

Telephone: 218.739.5774  
Toll Free: 800.843.7866  
Fax: 218.739.5776  
E-mail: [sales@stonel.com](mailto:sales@stonel.com)  
Website: [www.stonel.com](http://www.stonel.com)

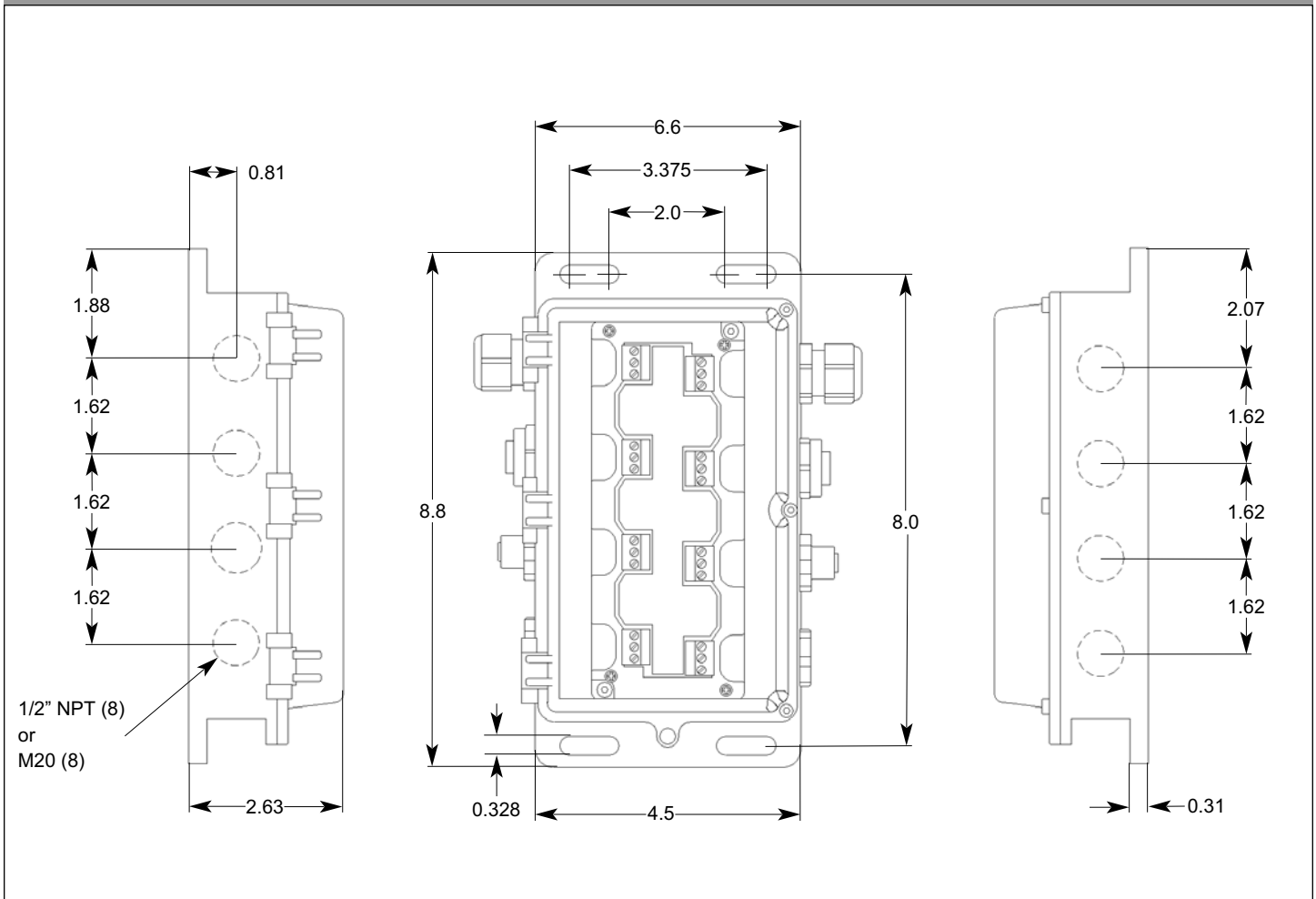
© 2008 StoneL Corporation

Function	Enclosure	Entry Options	Brand	Options
<b>FN T04</b> Passive Drops, AS-Interface, FOUNDATION Fieldbus (H1) or Profibus PA (Bus In/Out and (6) Drops)	<b>C</b> North American (NEC/CEC) <b>D</b> International (IEC)	<b>P01</b> - (8) 1/2" NPT Conduit Entries <b>P02</b> - (8) M20 Conduit Entries <b>G01</b> - (8) Cable Glands <b>N01</b> - (8) 4-Pin Mini Connectors (1-Male; 7-Female) <b>M01</b> - (8) 4-Pin Micro Connectors (1-Male; 7-Female) <b>C01</b> - (2) 1/2" NPT Conduit Entries; (6) Cable Glands <b>C02</b> - (2) 1/2" NPT Conduit Entries; (6) 4-Pin Mini Connectors <b>C04</b> - (2) 1/2" NPT Conduit Entries; (6) 4-Pin Micro Connectors	<b>A</b> StoneL <b>M</b> Metso <b>N</b> Neles	_***** (Special)

**General Specifications**

<b>Materials of Construction</b> Housing: Epoxy Coated Anodized Aluminum Cover: Polycarbonate Elastomer Seals: Silicone Fasteners: Stainless Steel	<b>Operating Life</b> : Unlimited <b>Temperature Range</b> : -40° to +80° C (-40° to 176° F) <b>Enclosure Protection</b> : NEMA 4, 4X & 6; IP67 <b>Warranty</b> : Two Years
--	--

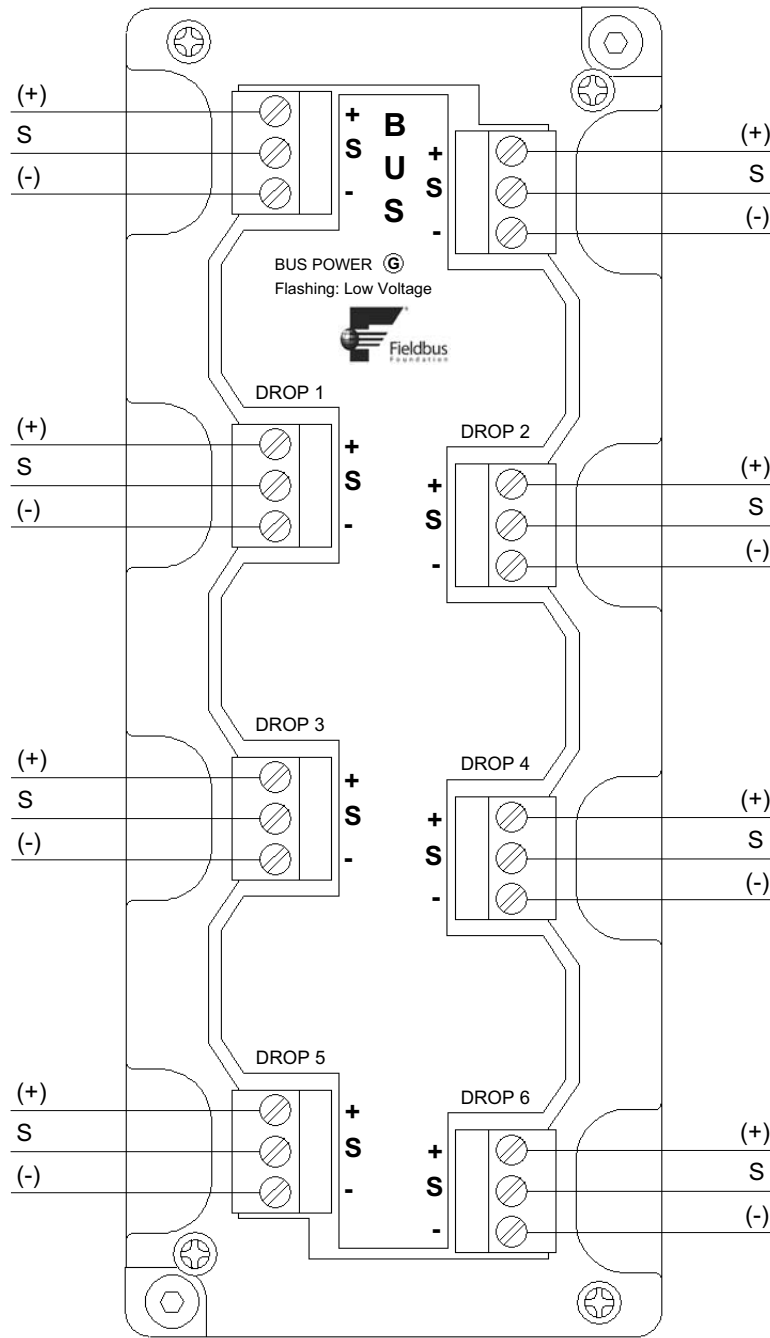
**Dimensions (in inches)**



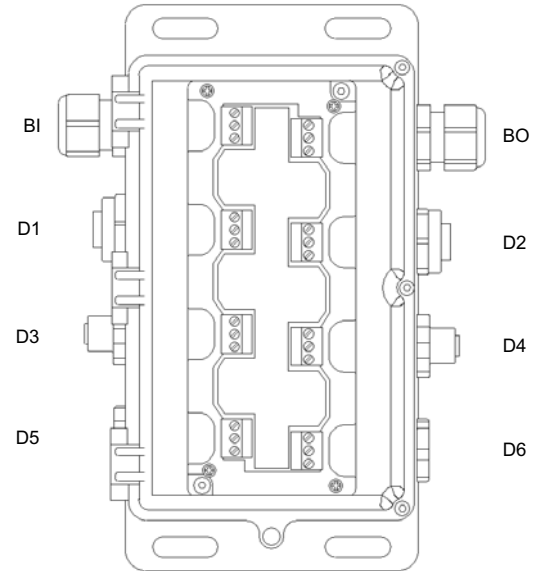
## FOUNDATION Fieldbus or Profibus PA Passive Drop Connector

Bus in, Bus out, and (6) Passive Drops for FOUNDATION Fieldbus or Profibus PA networks.

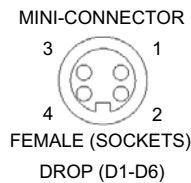
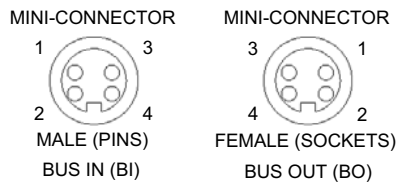
Voltage Range	35VDC	Current Consumption	20mA max
Operating Voltage	F/F or Profibus PA Voltage	Voltage Drop (Trunk)	Negligible
Current Rating	8 Amps	Voltage Drop (Spur)	Negligible
Break Current	None	LED Display:	BUS POWER, Green LED (Flashing = low voltage)
Reset Current	None		



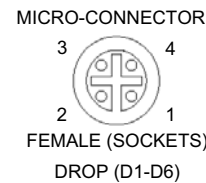
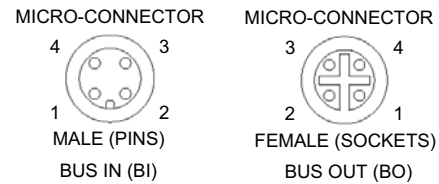
FNT04***					
BUS IN (BI) & BUS OUT (BO)					
PIN	WIRE COLOR	FNT04_N01_	FNT04_M01_	FNT04_C02_	FNT04_C04_
1	BROWN	(-)	(-)	N/A	N/A
2	WHITE	(+)	(+)	N/A	N/A
3	BLUE	Shield	Shield	N/A	N/A
4	No Connection	NOT USED	NOT USED	N/A	N/A
DROPS (D1- D6)					
1	BROWN	(-)	(-)	(-)	(-)
2	WHITE	(+)	(+)	(+)	(+)
3	BLUE	Shield	Shield	Shield	Shield
4	No Connection	NOT USED	NOT USED	NOT USED	NOT USED



### MINI RECEPTACLES



### MICRO RECEPTACLES (M12)



## FNT04 Mounting Instructions

### Mounting The FieldBlock Enclosure

1. Locate the position where the FieldBlock enclosure will be mounted. Ensure that hinged cover of the unit will have sufficient clearance to be opened.
2. Attach the FieldBlock enclosure to a wall or other stationary flat surface using the mounting holes provided.

### Attaching Cables and Connectors

1. Cable glands and connectors are provided for convenient wiring. Ensure all connections are securely tightened.
2. Follow all applicable NEC codes and other regulations.

### Installing & Removing Cover

1. To insure NEMA 4, 4X and 6 ratings are maintained the cover **must be** completely closed and the gasket sealed to keep out water.
2. Tighten cover screws to 05-30 inch lbs.