

Junction Module (JM™) Enclosure with:

AS-Interface Repeater Module (JMX00)

The AS-Interface Repeater extends the AS-Interface network by an additional 100 meters. The Repeater requires no configuration and has no address on the bus. An additional AS-Interface power supply is required for the additional 100 meters of AS-Interface network.

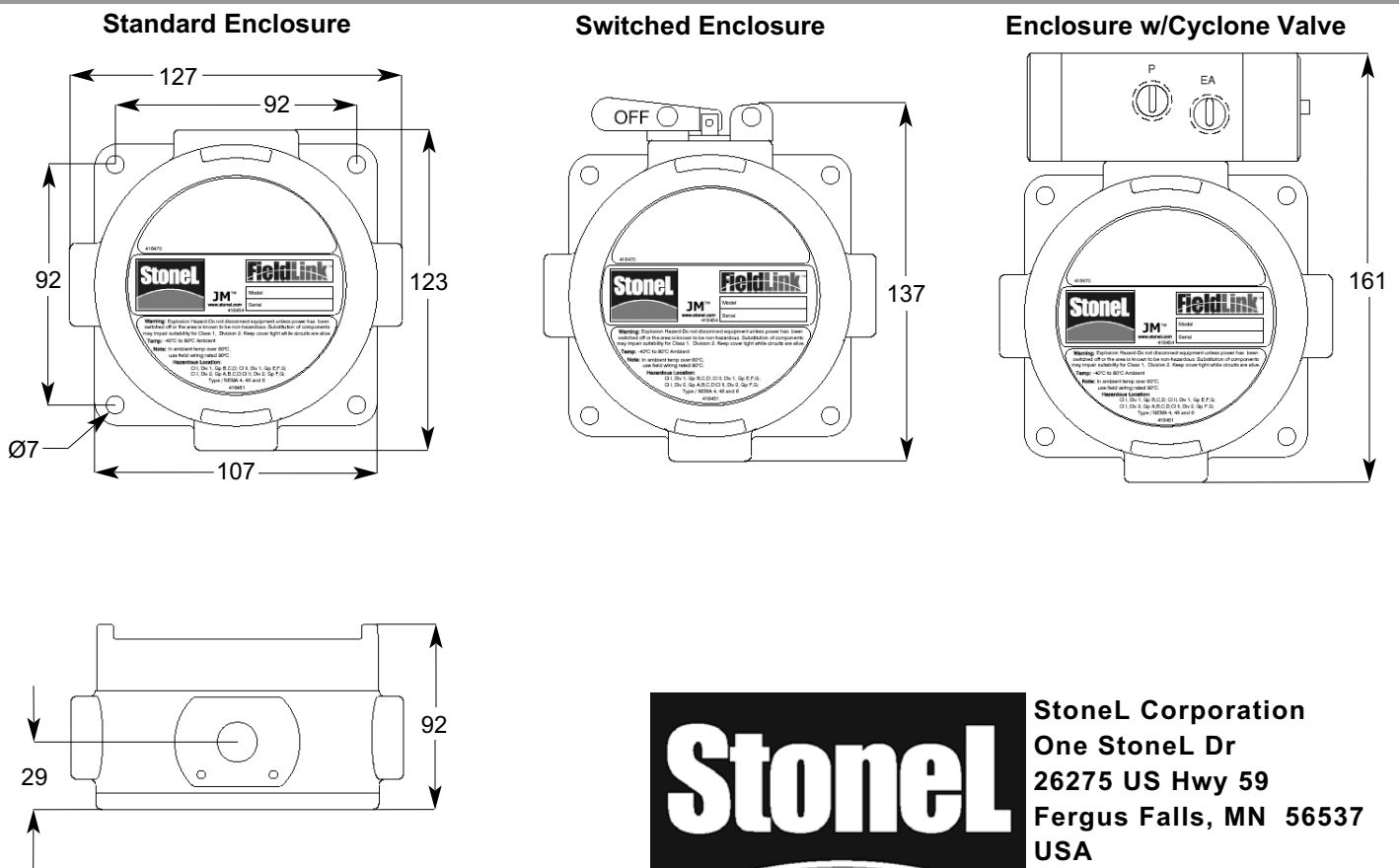
Features

- LED indication for bus segments power status
- Repeater is unidirectional (Network segments can be landed on either side)
- Redundant termination points for convenient wiring of the additional power supply



(See Page 3 detailed wiring instructions)

JM Enclosure Dimensions (in mm)



Stonel Corporation
 One Stonel Dr
 26275 US Hwy 59
 Fergus Falls, MN 56537
 USA

Telephone: 218.739.5774
 Toll Free: 800.843.7866
 Fax: 218.739.5776
 E-mail: sales@stonel.com
 Website: www.stonel.com

© 2001 Stonel Corporation

Example: JMX0011E3

JM	<u>Function</u>	<u>Solenoid</u>	<u>Enclosure</u>	<u>Conduit Entries</u>
X00	AS-Interface Repeater	11 No Solenoid (Not available with solenoid)	C Clear Cover E Epoxy Coated Aluminum	3 (3) 1/2" NPT N (4) 1/2" NPT 6 (3) M20 M (4) M20 9 (3) 3/4" NPT T (4) 3/4" NPT

General Specifications

Operating Life	Unlimited	Temperature Range	-40° to +80° C (-23° to 180° F)
Materials of Construction		Enclosure Protection	NEMA 4, 4X & 6; IP67
Housing and Cover	Marine grade anodized aluminum epoxy coating	Hazardous Area Ratings	
Clear Cover	Lexan® Polycarbonate	Explosion Proof (Aluminum Cover)	Class I, Div. 1 and 2, Groups B,C,D
Elastomer Seals	Buna-N		Class II, Div. 1 and 2, Groups E,F,G
Fasteners	Stainless Steel	Non-incendive (Clear Cover)	Class I, Div. 2, Groups A,B,C,D
Warranty			Class II, Div. 2, Groups E,F,G
Complete Assemblies	Two Years		(Not all units carry approvals, consult factory)

Lexan is a registered trademark of General Electric Corporation.

Mounting Instructions

Mounting The JM Enclosure

1. Locate the position where the JM enclosure will be mounted. Ensure that there is sufficient room to operate the disconnect switch levers and to remove the cover.
2. Attach the JM enclosure to a wall or other stationary flat surface using the mounting holes provided.
3. Secure the cover until hand tight

Attaching Conduit and Fittings

1. Conduit entries are provided for the convenient attachment of threaded conduit and threaded conduit fittings. Attach threaded fittings and conduits securely.
2. Follow all applicable NEC codes and other regulations.

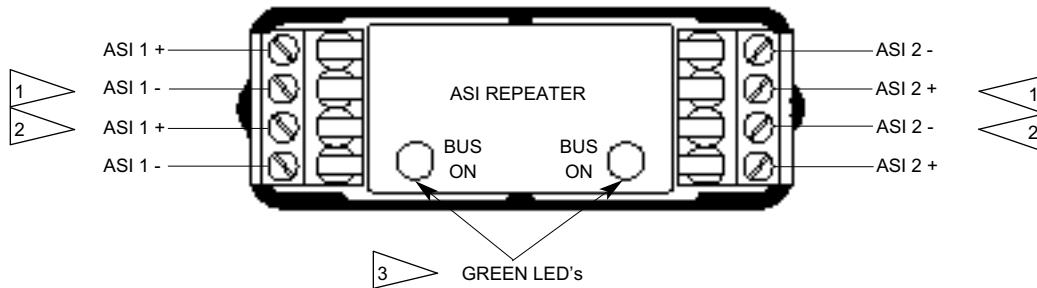
Installing & Removing Cover

1. To insure NEMA 4, 4X, 6 and hazardous location ratings are maintained the cover **must be** completely closed and the O-Ring sealed to keep out water.

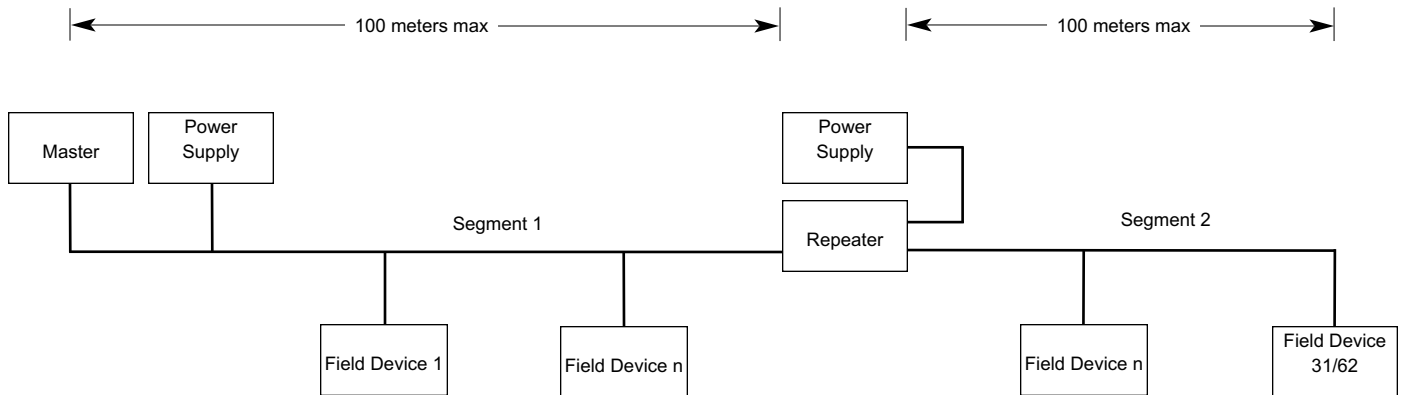
AS-Interface Repeater Specifications

Operating Voltage	AS-Interface voltage	AS-Interface Cycle Time	0.15ms x (number of slaves + 1)
Max Voltage	31.6 VDC	LED Indication	Bus Power On (both segments)
Current Usage	60mA (per segment), 120mA total	Temp Range	-40° to +80°C

AS-Interface Repeater Wiring Diagram and Installation Notes



Typical AS-Interface Network using an ASI Repeater



INSTALLATION NOTES:

1. The AS-Interface Repeater is bidirectional. Segment 1 can be connected to either the ASI 1 or ASI 2 side with Segment 2 being connected to the opposite side of Segment 1.
2. Redundant terminal points on both ASI 1 and ASI 2 sides for convenient wiring of the required AS-Interface power supply when adding an additional network segment (100m max). Each pair of ASI1 +/- and ASI2 +/- are connected internally in the Repeater.
3. Green LED's indicating that AS-Interface power is applied to the corresponding segment.